

HUAWEI G8 Quick Start Guide

Note:

Remember the Google account your phone last logged in to.

During an untrusted factory settings restoration or microSD card-based update, Google's anti-theft mechanism requires you to enter the Google account your phone last logged in to on the startup navigation screen for identity authentication. Your phone can properly power on only after the identity authentication passes.

Model: HUAWEI RIO-L01



The N-Mark is a trademark or registered trademark of NFC Forum, Inc. in the United States and in other countries.



Contents

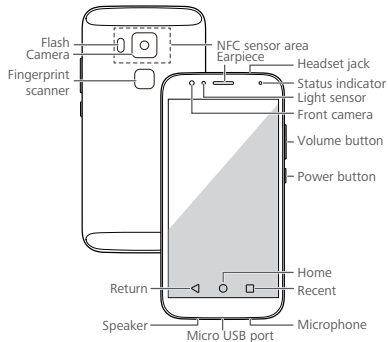
| | | | |
|-------------------|-----|------------------|-----|
| English | 1 | Magyar | 123 |
| Svenska | 17 | Hrvatski | 136 |
| Dansk | 24 | Română | 143 |
| Norsk | 31 | Български | 156 |
| Suomi | 38 | Македонски | 164 |
| Polski | 45 | Srpski | 172 |
| Lietuvių | 53 | Русский | 178 |
| Latviešu | 60 | | |
| Eesti | 67 | | |
| Ελληνικά | 74 | | |
| Čeština | 89 | | |
| Slovenčina | 102 | | |
| Deutsch | 109 | | |
| Slovenščina | 116 | | |

Your phone at a glance

Before you start, let's take a look at your new phone.

Press and hold the power button to turn your phone on or off.

- i** To forcibly restart your phone, press and hold the power button until your phone vibrates.

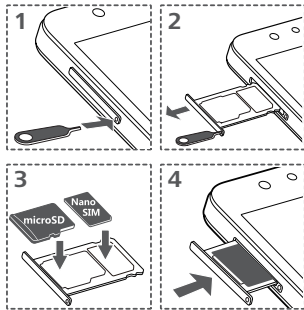


Getting started

Follow the instructions in the following figures to set up your phone. Do not insert or remove a SIM card while your phone is on.

⊘ Please exercise caution when using the SIM ejector pin to avoid hurting your fingers or damaging your phone. Store your pin in a safe place out of the reach of children to prevent them from swallowing it or injuring themselves by accident.

⚠ Insert the SIM card into the correct card slot to ensure that it can be recognized by the phone.



For more information


Read the Quick Start Guide included with your device.

Open **HiCare** to read the user guide and service information or get help from the online forum.

Go to <http://consumer.huawei.com/en/> to download the user guide for your device (including safety information) and read the FAQ, privacy policy, and other information.

Go to **Settings > About phone > Legal information** to read the legal information.

Please visit <http://consumer.huawei.com/en/support/hotline/> for the most up-to-date contact information for your country or region.

-  All pictures and illustrations in this guide, including but not limited to the phone color, size, and display content, are for your reference only. The actual product may vary. Nothing in this guide constitutes a warranty of any kind, express or implied.

Safety information

This section contains important information about the operation of your device. It also contains information about how to use the device safely. Read this information carefully before using your device.

Electronic device

Do not use your device if using the device is prohibited. Do not use the device if doing so causes danger or interference with other electronic devices.

Interference with medical equipment

- Please consult your doctor and the device manufacturer to determine if operation of your phone may interfere with the operation of your medical device.
- Follow rules and regulations set forth by hospitals and health care facilities. Do not use your device where prohibited.
- Some wireless devices may affect the performance of hearing aids or pacemakers. Consult your service provider for more information.

- Pacemaker manufacturers recommend that a minimum distance of 15 cm be maintained between a device and a pacemaker to prevent potential interference with the pacemaker. If using a pacemaker, hold the device on the side opposite the pacemaker and do not carry the device in your front pocket.

Protecting your hearing when using a headset



- To prevent possible hearing damage, do not listen at high volume levels for long periods.
- Using a headset at high volumes may damage your hearing. To reduce this risk, lower the headset volume to a safe and comfortable level.
- Exposure to high volumes while driving may cause distraction and increase your risk of an accident.

Potentially Explosive Atmosphere

Power off your device in any area with a potentially explosive atmosphere, and comply with all signs and instructions. Areas that may have potentially explosive atmospheres include the areas where you would normally be advised to turn off your vehicle engine. Triggering of sparks in such areas could cause an explosion or a fire, resulting in bodily injuries or even deaths. Do not power on your device at refueling points such as service stations. Comply with restrictions on the use of radio equipment in fuel depots, storage, and distribution areas, and chemical plants. In addition, adhere to restrictions in areas where blasting operations are in progress. Before using the device, watch out for areas that have potentially explosive atmospheres that are often, but not always, clearly marked. Such locations include areas below the deck on boats, chemical transfer or storage facilities, and areas where the air contains chemicals or particles such as grain, dust, or metal powders. Ask the manufacturers of vehicles using liquefied petroleum gas (such as propane or butane) whether this device can be safely used in their vicinity.

Traffic security

- Observe local laws and regulations while using the device. To reduce the risk of accidents, do not use your wireless device while driving.
- Concentrate on driving. Your first responsibility is to drive safely.
- Do not hold the device while driving. Use hands-free accessories.
- When you must make or answer a call, pull off the road safely and park the vehicle first.
- RF signals may affect the electronic systems of motor vehicles. For more information, consult the vehicle manufacturer.
- Do not place the device over the air bag or in the air bag deployment area in a motor vehicle. Doing so may hurt you because of the strong force when the air bag inflates.
- Wireless devices may interfere with the airplane's flight system. Do not use your device where wireless devices are not allowed according to the airplane company's regulations.

Operating environment

- Avoid dusty, damp, or dirty environments. Avoid magnetic fields. Using the device in these environments may result in circuit malfunctions.
- Do not use your device during thunderstorms to protect your device against any danger caused by lightning.
- Ideal operating temperatures are 0 °C to 35 °C. Ideal storage temperatures are -20 °C to 45 °C. Extreme heat or cold may damage your device or accessories.
- Do not expose your device to direct sunlight (such as on a car dashboard) for prolonged periods.
- To protect your device or accessories from fire or electrical shock hazards, avoid rain and moisture.
- Keep the device away from sources of heat and fire, such as a heater, microwave oven, stove, water heater, radiator, or candle.

- Do not place sharp metal objects, such as pins, near the earpiece or speaker. The earpiece may attract these objects and result in injury.
- Stop using your device or applications for a while if the device is overheated. If skin is exposed to an overheated device for an extended period, low temperature burn symptoms, such as red spots and darker pigmentation, may occur.
- Do not use your device's camera flash directly in the eyes of people or pets. Otherwise temporary loss of vision or damage to the eyes may occur.
- Do not touch the device's antenna. Otherwise, communication quality may be reduced.
- Do not allow children or pets to bite or suck the device or accessories. Doing so may result in damage or explosion.
- Observe local laws and regulations, and respect the privacy and legal rights of others.

Child's safety

- Comply with all precautions with regard to child's safety. Letting children play with the device or its accessories may be dangerous. The device includes detachable parts that may present a choking hazard. Keep away from children.
- The device and its accessories are not intended for use by children. Children should only use the device with adult supervision.

Accessories

- Using an unapproved or incompatible power adapter, charger or battery may cause fire, explosion or other hazards.
- Choose only accessories approved for use with this model by the device manufacturer. The use of any other types of accessories may void the warranty, may violate local regulations and laws, and may be dangerous. Please contact your retailer for information about the availability of approved accessories in your area.

Charger safety

- For pluggable devices, the socket-outlet shall be installed near the devices and shall be easily accessible.
- Unplug the charger from electrical outlets and the device when not in use.
- Do not drop or cause an impact to the charger.
- If the power cable is damaged (for example, the cord is exposed or broken), or the plug loosens, stop using it at once. Continued use may lead to electric shocks, short circuits, or fire.
- Do not touch the power cord with wet hands or pull the power cord to disconnect the charger.
- Do not touch the device or the charger with wet hands. Doing so may lead to short circuits, malfunctions, or electric shocks.
- If your charger has been exposed to water, other liquids, or excessive moisture, take it to an authorized service center for inspection.

- Ensure that the charger meets the requirements of Clause 2.5 in IEC60950-1/EN60950-1/UL60950-1 and has been tested and approved according to national or local standards.
- Connect the device only to products with the USB-IF logo or with USB-IF compliance program completion.

Battery safety

- Do not connect battery poles with conductors, such as keys, jewelry, or other metal materials. Doing so may short-circuit the battery and cause injuries or burns.
- Keep the battery away from excessive heat and direct sunlight. Do not place it on or in heating devices, such as microwave ovens, stoves, or radiators. Batteries may explode if overheated.
- Do not attempt to modify or remanufacture the battery, insert foreign objects into it, or immerse or expose it to water or other liquids. Doing so may lead to fire, explosion, or other hazards.

- If the battery leaks, ensure that the electrolyte does not make direct contact with your skins or eyes. If the electrolyte touches your skins or splashes into your eyes, immediately flush with clean water and consult a doctor.
- In case of battery deformation, color change, or overheating while charging or storing, immediately stop using the device and remove the battery. Continued use may lead to battery leakage, fire, or explosion.
- Do not put batteries in fire as they may explode. Damaged batteries may also explode.
- Dispose of used batteries in accordance with local regulations. Improper battery use may lead to fire, explosion, or other hazards.
- Do not allow children or pets to bite or suck the battery. Doing so may result in damage or explosion.
- Do not smash or pierce the battery, or expose it to high external pressure. Doing so may lead to a short circuit or overheating.

- Do not drop the device or battery. If the device or battery is dropped, especially on a hard surface, it may be damaged.
- If the device standby time shortens significantly, replace the battery.
- The device has a built-in, non-removable battery. Do not attempt to remove the battery, otherwise the device may be damaged. To replace the battery, take the device to an authorized service center.

Cleaning and maintenance

- Keep the device and accessories dry. Do not attempt to dry it with an external heat source, such as a microwave oven or hair dryer.
- Do not expose your device or accessories to extreme heat or cold. These environments may interfere with proper function and may lead to fire or explosion.
- Avoid collision, which may lead to device malfunctions, overheating, fire, or explosion.

- Before you clean or maintain the device, stop using it, stop all applications, and disconnect all cables connected to it.
- Do not use any chemical detergent, powder, or other chemical agents (such as alcohol and benzene) to clean the device or accessories. These substances may cause damage to parts or present a fire hazard. Use a clean, soft, and dry cloth to clean the device and accessories.
- Do not place magnetic stripe cards, such as credit cards and phone cards, near the device for extended periods of time. Otherwise the magnetic stripe cards may be damaged.
- Do not dismantle or remanufacture the device and its accessories. This voids the warranty and releases the manufacturer from liability for damage. In case of damage, contact an authorized service center for assistance or repair.
- If the device screen is broken in a collision, immediately stop using the device. Do not touch or attempt to remove the broken parts. Promptly contact an authorized service center.

Emergency calls

The availability of emergency calls is subject to your cellular network quality, service provider policy, and local laws and regulations. Never rely solely on your device for critical communications like medical emergencies.

Disposal and recycling information



This symbol (with or without a solid bar) on the device, batteries (if included), and/or the packaging, indicates that the device and its electrical accessories (for example, a headset, adapter, or cable) and batteries should not be disposed of as household garbage. These items should not be disposed of as unsorted municipal waste and should be taken to a certified collection

point for recycling or proper disposal.

For more detailed information about device or battery recycling, contact your local city office, household waste disposal service, or retail store.

Disposal of the device and batteries (if included) is subject to WEEE Directive Recast (Directive 2012/19/EU) and Battery Directive (Directive 2006/66/EC).

The purpose of separating WEEE and batteries from other waste is to minimize

the potential environmental impacts and human health risk of any hazardous substances that may be present.

Reduction of hazardous substances

This device is compliant with the REACH Regulation [Regulation (EC) No 1907/2006] and RoHS Directive Recast (Directive 2011/65/EU). Batteries (if included) are compliant with the Battery Directive (Directive 2006/66/EC). For up-to-date information about REACH and RoHS compliance, please visit the web site <http://consumer.huawei.com/certification>.

EU regulatory conformance

Body worn operation

The device complies with RF specifications when used near your ear or at a distance of 1.5 cm from your body. Ensure that the device accessories, such as a device case and device holster, are not composed of metal components. Keep the device away from your body to meet the distance requirement.

Certification information (SAR)

This device meets guidelines for exposure to radio waves.

Your device is a low-power radio transmitter and receiver. As recommended by international guidelines, the device is designed not to exceed the limits for exposure to radio waves. These guidelines were developed by the International Commission on Non-Ionizing Radiation Protection (ICNIRP), an independent scientific organization, and include safety measures designed to ensure the safety of all users, regardless of age and health.

The Specific Absorption Rate (SAR) is the unit of measurement for the amount of radio frequency energy absorbed by the body when using a device. The SAR value is determined at the highest certified power level in laboratory conditions, but the actual SAR level during operation can be well below the value. This is because the device is designed to use the minimum power required to reach the network.

The SAR limit adopted by Europe is 2.0 W/kg averaged over 10 grams of tissue, and the highest SAR value for this device complies with this limit.

The highest SAR value reported for this device type when tested at the ear is 1.44 W/kg, and when properly worn on the body is 0.56 W/kg.

Statement

Hereby, Huawei Technologies Co., Ltd. declares that this device is in compliance with the essential requirements and other relevant provisions of 1999/5/EC and Directive 2011/65/EU.

For the declaration of conformity, visit the web site <http://consumer.huawei.com/certification>.

The following marking is included in the product:

The image shows the CE marking, which consists of the letters 'C' and 'E' in a stylized font, followed by the number '0197'. This marking indicates that the device complies with the CE marking requirements for the EU market.

This device may be operated in all member states of the EU.

Observe national and local regulations where the device is used.

This device may be restricted for use, depending on the local network.

Restrictions in the 2.4 GHz band:

Norway: This subsection does not apply for the geographical area within a radius of 20 km from the centre of Ny-Ålesund.

FCC Regulatory Compliance

Body worn operation

The device complies with RF specifications when used near your ear or at a distance of 1.5 cm from your body. Ensure that the device accessories, such as a device case and device holster, are not composed of metal components. Keep the device away from your body to meet the distance requirement.

Certification information (SAR)

This device is also designed to meet the requirements for exposure to radio waves established by the Federal Communications Commission (USA).

The SAR limit adopted by the USA is 1.6 W/kg averaged over one gram of tissue. The highest SAR value reported to the FCC for this device type complies with this limit.

The highest SAR value reported to the FCC for this device type when using at the ear is 1.18 W/kg, and when properly worn on the body is 0.87 W/kg, and when using the Wi-Fi hotspot function is 1.32 W/kg.

FCC statement

This equipment has been tested and found to comply with the limits for a Class B digital device, pursuant to Part 15 of the FCC Rules. These limits are designed to provide reasonable protection against harmful interference in a residential installation. This equipment generates, uses and can radiate radio frequency energy and, if not installed and used in accordance with the instructions, may cause harmful interference to radio communications. However, there is no guarantee that interference will not occur in a particular installation. If this equipment does cause harmful interference to radio or television reception, which can be determined by turning the equipment off and on, the user is encouraged to try to correct the interference by one or more of the following measures:

- Reorient or relocate the receiving antenna.
- Increase the separation between the equipment and receiver.
- Connect the equipment into an outlet on a circuit different from that to which the receiver is connected.
- Consult the dealer or an experienced radio/TV technician for help.

This device complies with Part 15 of the FCC Rules. Operation is subject to the following two conditions: (1) this device may not cause harmful interference, and (2) this device must accept any interference received, including interference that may cause undesired operation.

Caution: Any changes or modifications to this device not expressly approved by Huawei Technologies Co., Ltd. for compliance could void the user's authority to operate the equipment.

Personal Information and Data Security

The use of some functions or third-party applications on your device could result in your personal information and data being lost or becoming accessible to others. Several measures are recommended to help you protect personal and confidential information.

- Place your device in a safe area to prevent it from unauthorized use.
- Set your device screen to lock and create a password or unlock pattern to open it.

- Periodically back up personal information kept on your SIM/UIM card, memory card, or stored in your device memory. If you change to a different device, be sure to move or delete any personal information on your old device.
- If you are worried about viruses when you receive messages or emails from a stranger, you can delete them without opening them.
- If you use your device to browse the Internet, avoid websites that might pose a security risk to avoid theft of your personal information.
- If you use services such as Wi-Fi tether or Bluetooth, set passwords for these services to prevent unauthorized access. When these services are not in use, turn them off.
- Install or upgrade device security software and regularly scan for viruses.
- Be sure to obtain third-party applications from a legitimate source. Downloaded third-party applications should be scanned for viruses.

- Install security software or patches released by Huawei or third-party application providers.
- Some applications require and transmit location information. As a result, a third-party may be able to share your location information.
- Your device may provide detection and diagnostic information to third-party application providers. Third party vendors use this information to improve their products and services.

Legal Notice


Copyright © Huawei Technologies Co., Ltd. 2015. All rights reserved.

No part of this manual may be reproduced or transmitted in any form or by any means without prior written consent of Huawei Technologies Co., Ltd. and its affiliates ("Huawei").

The product described in this manual may include copyrighted software of Huawei and possible licensors. Customers shall not in any manner reproduce, distribute, modify, decompile, disassemble, decrypt, extract, reverse engineer, lease, assign, or sublicense the said software, unless such restrictions are prohibited by applicable laws or such actions are approved by respective copyright holders.

Trademarks and Permissions



HUAWEI, **HUAWEI**, and  are trademarks or registered trademarks of Huawei Technologies Co., Ltd.

Android™ is a trademark of Google Inc.

LTE is a trade mark of ETSI.

The *Bluetooth*® word mark and logos are registered trademarks owned by *Bluetooth SIG, Inc.* and any use of such marks by Huawei Technologies Co., Ltd. is under license.

Other trademarks, product, service and company names mentioned may be the property of their respective owners.

Notice

Some features of the product and its accessories described herein rely on the software installed, capacities and settings of local network, and therefore may not be activated or may be limited by local network operators or network service providers.

Thus, the descriptions herein may not exactly match the product or its accessories which you purchase.

Huawei reserves the right to change or modify any information or specifications contained in this manual without prior notice and without any liability.

Third-Party Software Statement

Huawei does not own the intellectual property of the third-party software and applications that are delivered with this product. Therefore, Huawei will not provide any warranty of any kind for third party software and applications.

Neither will Huawei provide support to customers who use third-party software and applications, nor be responsible or liable for the functions or performance of third-party software and applications.

Third-party software and applications services may be interrupted or terminated at any time, and Huawei does not guarantee the availability of any content or service. Third-party service providers provide content and services through network or transmission tools outside of the control of Huawei. To the greatest extent permitted by applicable law, it is explicitly stated that Huawei shall not compensate or be liable for services provided by third-party service providers, or the interruption or termination of third-party contents or services. Huawei shall not be responsible for the legality, quality, or any other aspects of any software installed on this product, or for any uploaded or downloaded third-party works in any form, including but not limited to texts, images, videos, or software etc. Customers shall bear the risk for any and all effects, including incompatibility between the software and this product, which result from installing software or uploading or downloading the third-party works.

This product is based on the open-source Android™ platform. Huawei has made necessary changes to the platform. Therefore, this product may not support all the functions that are supported by the standard Android platform or may be incompatible with third-party software. Huawei does not provide any warranty or representation in connect with any such compatibility and expressly excludes all liability in connection with such matters.

DISCLAIMER

ALL CONTENTS OF THIS MANUAL ARE PROVIDED "AS IS". EXCEPT AS REQUIRED BY APPLICABLE LAWS, NO WARRANTIES OF ANY KIND, EITHER EXPRESS OR IMPLIED, INCLUDING BUT NOT LIMITED TO, THE IMPLIED WARRANTIES OF MERCHANTABILITY AND FITNESS FOR A PARTICULAR PURPOSE, ARE MADE IN RELATION TO THE ACCURACY, RELIABILITY OR CONTENTS OF THIS MANUAL.

TO THE MAXIMUM EXTENT PERMITTED BY APPLICABLE LAW, IN NO EVENT SHALL HUAWEI BE LIABLE FOR ANY SPECIAL, INCIDENTAL, INDIRECT, OR CONSEQUENTIAL DAMAGES, OR LOSS OF PROFITS, BUSINESS, REVENUE,

DATA, GOODWILL SAVINGS OR ANTICIPATED SAVINGS REGARDLESS OF WHETHER SUCH LOSSES ARE FORSEEABLE OR NOT.

THE MAXIMUM LIABILITY (THIS LIMITATION SHALL NOT APPLY TO LIABILITY FOR PERSONAL INJURY TO THE EXTENT APPLICABLE LAW PROHIBITS SUCH A LIMITATION) OF HUAWEI ARISING FROM THE USE OF THE PRODUCT DESCRIBED IN THIS MANUAL SHALL BE LIMITED TO THE AMOUNT PAID BY CUSTOMERS FOR THE PURCHASE OF THIS PRODUCT.

Import and Export Regulations

Customers shall comply with all applicable export or import laws and regulations and be responsible to obtain all necessary governmental permits and licenses in order to export, re-export or import the product mentioned in this manual including the software and technical data therein.

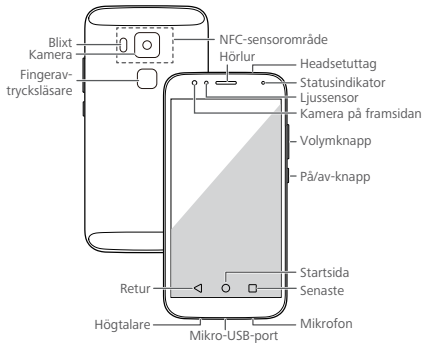
Privacy Policy

To better understand how we protect your personal information, please see the privacy policy at <http://consumer.huawei.com/privacy-policy>.

Snabbtitt på din telefon

Innan du börjar ska vi ta en titt på din nya telefon.
Tryck och håll ner strömknappen för att starta eller stänga av telefonen.

- i** Om du vill framtvinga en omstart av telefonen håller du ned på/av-knappen tills telefonen vibrerar.

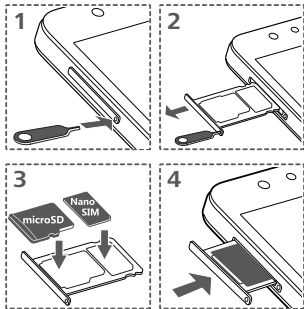


Kom igång

Följ instruktionerna i följande figurer för att ställa in telefonen. Sätt inte i och ta inte bort ett SIM-kort när telefonen är påslagen.

⊘ Var försiktig när du använder stiftet för att mata ut SIM-kortet så att inte dina fingrar eller telefonen skadas. Spara stiftet på en säker plats som barn inte kan nå för att förhindra att de oavsiktligen sväljer stiftet eller skadar sig på det.

⚠ Sätt in SIM-kortet i rätt kortplats för att säkerställa att telefonen kan känna igen det.



Mer information


Läs snabbstartsguiden som medföljer enheten.

Öppna **HiCare** för att läsa bruksanvisningen och serviceinformationen. Du kan också få hjälp på forumet online.

Gå till <http://consumer.huawei.com/en/> och hämta bruksanvisningen för enheten (inklusive säkerhetsinformation) och läs vanliga frågor, vår sekretesspolicy och annan information.

Gå till **Inställningar > Om telefonen > Juridisk information** för att läsa den juridiska informationen.

Besök <http://consumer.huawei.com/en/support/hotline/>. Där hittar du de senast uppdaterade kontaktuppgifterna för ditt land eller region.

-  Alla bilder och illustrationer i handboken, inklusive men inte begränsat till telefonens färg, storlek och innehållet på skärmen, är endast avsedda som information. Den faktiska produkten kan variera. Ingenting i handboken utgör en garanti av något slag, vare sig uttryckligen eller underförstått.

Säkerhetsinformation

Störningar av medicinsk utrustning

- Följ de regler och bestämmelser som gäller på sjukhus och hälsovårdsinrättningar. Använd inte enheten där det är förbjudet.
- Viss trådlös utrustning kan påverka funktionen hos hörapparater eller pacemakers. Fråga din tjänsteleverantör om du behöver mer information.
- Pacemakertillverkare rekommenderar ett minsta avstånd på 15 cm mellan enheten och pacemakern för att eventuell interferens med pacemakern inte ska uppstå. Om du använder en pacemaker bör du hålla enheten på motsatt sida i förhållande till pacemakern och inte bära enheten i bröstfickan.

Skydda din hörsel när du använder headset



Du kan förebygga risken för hörselskador genom att undvika att lyssna med hög volym i långa stunder.

Användningsmiljö

Idealisk drifttemperatur är 0 °C till 35 °C. Idealisk förvaringstemperatur är -20 °C till 45 °C. Extrem värme eller kyla kan skada enheten eller tillbehören.

Information om avfallshantering och återvinning



Den här symbolen (med eller utan streck) på enheten, batterierna (om sådana medföljer) och/eller förpackningen anger att enheten och dess elektriska tillbehör (till exempel headset, adapter eller kabel) och batterier inte får kastas i hushållssoporna. De får inte kastas som osorterat hushållsavfall utan ska lämnas till kommunens insamlingsställe för miljöfarligt

avfall för återvinning eller säkert omhändertagande.

Kontakta kommunen eller försäljningsstället om du behöver mer information om återvinning av enheten eller batteriet.

Kassering av enheten och batterierna (om sådana medföljer) omfattas av det omarbetade WEEE-direktivet (direktiv 2012/19/EU) och batteridirektivet (direktiv 2006/66/EG). Syftet med att separera batterier och avfall som utgörs av eller innehåller elektrisk eller elektronisk utrustning från annat avfall är att

minimera eventuell miljöpåverkan och de risker för människors hälsa som orsakas av skadliga ämnen.

Minskning av farliga ämnen

Enheten är förenlig med REACH-förordningen (förordning (EG) nr 1907/2006) och det omarbetade RoHS-direktivet (direktiv 2011/65/EU). Batterierna (om sådana ingår) är förenliga med batteridirektivet (direktiv 2006/66/EG). Se webbplatsen <http://consumer.huawei.com/certification> för aktuell information om efterlevnaden av REACH och RoHS.

Överensstämmelse med EU-krav

Avstånd från kroppen

Enheten överensstämmer med RF-specifikationerna när den hålls mot örat eller 1,5 cm från kroppen. Se till att enhetens tillbehör, t.ex. väska och hölster, inte innehåller metalldelar. Håll enheten på avstånd från kroppen för att uppfylla avståndskravet.

Certifieringsinformation (SAR)

Enheten uppfyller riktlinjerna för exponering för radiovågor.

Enheten är en radiosändare och mottagare med låg effekt. Den är utformad så att den inte överskrider gränserna för exponering för radiovågor enligt internationella riktlinjer. Riktlinjerna har utarbetats av den oberoende vetenskapliga organisationen ICNIRP och inbegriper säkerhetsgränser som är avsedda att garantera säkerheten för alla användare, oavsett ålder och hälsotillstånd.

SAR (Specific Absorption Rate) är ett mått på den mängd radiofrekvensenergi som kroppen absorberar vid användning av en enhet. SAR-värdet bestäms vid den högsta certifierade effektnivån under laboratorieförhållanden, men den faktiska SAR-nivån vid användning kan ligga långt under detta värde. Det beror på att enheten är konstruerad för att använda lägsta möjliga effekt för att nå mobilnätet.

Det europeiska SAR-gränsvärdet är 2,0 W/kg i genomsnitt per 10 gram vävnad, och det högsta SAR-värdet för denna enhet ligger under detta gränsvärde.

Det högsta SAR-värde som rapporterats för den här enhetstypen när den har testats vid örat är 1,44 W/kg och när den bärs korrekt på kroppen 0,56 W/kg.

Försäkran

Huawei Technologies Co., Ltd. försäkrar härmed att denna enhet överensstämmer med de väsentliga kraven och andra relevanta föreskrifter i direktiv 1999/5/EG och direktiv 2011/65/EU.

Försäkran om överensstämmelse finns på webbplatsen

<http://consumer.huawei.com/certification>.

Produkten har följande märkning:

CE 0197

Enheten får användas i alla EU-medlemsstater.

Följ nationella och lokala föreskrifter som gäller på den plats där enheten används.

Användningen av enheten kan vara begränsad, beroende på det lokala nätverket.

Begränsningar i 2,4 GHz-bandet:

Norge: Detta underavsnitt gäller inte för det geografiska området inom en radie på 20 km från Ny-Ålesunds centrum.

FCC-överensstämmelse

Avstånd från kroppen

Enheten överensstämmer med RF-specifikationerna när den hålls mot örat eller 1,5 cm från kroppen. Se till att enhetens tillbehör, t.ex. väska och hölster, inte innehåller metalldelar. Håll enheten på avstånd från kroppen för att uppfylla avståndskravet.

Certifieringsinformation (SAR)

Denna enhet är också utformad för att uppfylla kraven för exponering för radiovågor som fastställts av Federal Communications Commission (USA). Det SAR-gränsvärde som gäller i USA är 1,6 watt/kilogram (W/kg) i genomsnitt på ett gram vävnad. Det högsta SAR-värde som har rapporterats till FCC för den här typen av enhet ligger under detta gränsvärde.

Det högsta SAR-värde som rapporterats till FCC för den här enhetstypen vid användning vid örat är 1,18 W/kg, när den bärs korrekt på kroppen 0,87 W/kg, och när funktionen Wi-Fi-surfzon används är det 1,32 W/Kg.

FCC-försäkran

Denna produkt har testats och befunnits överensstämma med gränserna för Klass B digital utrustning, enligt del 15 i FCC-bestämmelserna. Dessa gränser har tagits fram för att ge ett rimligt skydd mot skadliga interferensstörningar vid installation i hemmet. Produkten alstrar, använder och kan avge radiofrekvensenergi och om den inte installeras och används i enlighet med instruktionerna kan den orsaka skadlig störning av radiokommunikationer. Det finns dock inte någon garanti för att störning inte inträffar i en specifik installation. Om utrustningen orsakar skadlig störning vid mottagning av radio- eller tv-signaler, vilket kan fastställas genom att stänga av och slå på utrustningen, uppmanas användaren att försöka korrigera störningen genom en eller flera av följande åtgärder:

- Rikta om eller flytta mottagningsantennen.
- Öka avståndet mellan utrustningen och mottagaren.

--Ansluta enheten till ett uttag som hör till en annan krets än den som mottagaren är ansluten till.

--Kontakta återförsäljaren eller en erfaren radio- eller tv-tekniker för att få hjälp. Den här enheten uppfyller kraven i del 15 av FCC-reglerna. Enheten får användas på följande två villkor: (1) enheten får inte orsaka skadliga störningar och (2) enheten måste acceptera alla mottagna störningar, inklusive störningar som kan leda till att enheten inte fungerar på önskat vis.

Viktigt: Alla ändringar eller modifieringar av denna enhet som inte uttryckligen godkänts av Huawei Technologies Co, Ltd. kan upphäva användarens rätt att använda utrustningen.

Juridisk information

Upphovsrätt © Huawei Technologies Co., Ltd. 2015.

Med ensamrätt.

DET HÄR DOKUMENTET ANVÄNDS ENDAST I INFORMATIONSSYFTE OCH
UTGÖR INGEN GARANTI AV NÅGOT SLAG.

Sekretesspolicy

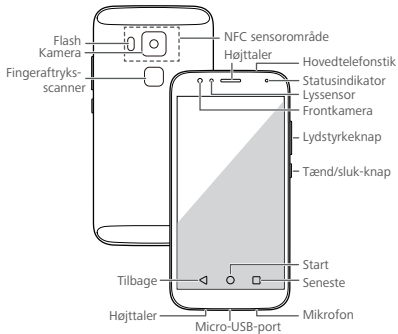
Om du vill veta mer om hur vi skyddar din personliga information kan du läsa vår integritetspolicy på <http://consumer.huawei.com/privacy-policy>.

Oversigt over telefonen

Lad os tage et kig på din nye telefon, før du starter.

Tryk på og hold tænd/sluk-knappen for at slå telefonen til eller fra.

- i** For at gennemtvinge en genstart af telefonen skal du trykke på strømknappen og holde den nede, indtil telefonen vibrerer.

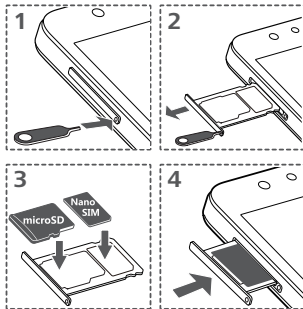


Introduktion

Følg instruktionerne i de følgende illustrationer for at opsætte din telefon.
Indsæt eller fjern ikke et SIM-kort, mens telefonen er tændt.

⊘ Udvis forsigtighed, når du bruger SIM-ejektorstiften, for at undgå at skade fingrene eller telefonen. Opbevar stiften et sikkert sted uden for rækkevidde af børn for at forhindre dem i at sluge den eller komme til skade ved et uheld.

⚠ Indsæt SIM-kortet i det rigtige kortslot for at sikre, at telefonen kan genkende det.



For flere oplysninger:

Læs quick start guiden, som fulgte med enheden.

Åbn **HiCare** for at læse brugervejledningen og serviceoplysningerne, eller for at få hjælp fra online-forummet.

Gå til <http://consumer.huawei.com/en/> for at downloade brugervejledningen til din enhed (inklusive sikkerhedsinformation) og læse Ofte stillede spørgsmål, Politik om beskyttelse af personoplysninger og andre oplysninger.

Gå til **Indstillinger > Om telefonen > Juridiske oplysninger** for at læse de juridiske oplysninger.

Besøg <http://consumer.huawei.com/en/support/hotline/> for at se de nyeste kontaktoplysninger for dit land eller område.

- i** Alle billeder og illustrationer i denne vejledning, herunder, men ikke begrænset til, telefonens farve, størrelse, og skærmindhold, tjener udelukkende som reference. Det faktiske produkt kan variere. Ingen del i denne vejledning udgør en garanti af nogen art, hverken direkte eller indirekte.

Sikkerhedsoplysninger

Interferens med medicinsk udstyr

- Følg de regler og forskrifter, som er fremsat af hospitaler og sundhedscentre. Brug ikke enheden, hvor det er forbudt.
- Nogle trådløse enheder kan påvirke høreapparaters funktion eller pacemakere. Kontakt din tjenesteudbyder for at få flere oplysninger.
- Producenter af pacemakere anbefaler en minimumsgrænse på 15 cm mellem enheden og en pacemaker for at undgå eventuel interferens med pacemakeren. Hold enheden på den modsatte side af pacemakeren, hvis en pacemaker anvendes, og læg ikke enheden i forlommen.

Beskytter din hørelse, når du bruger et headset



For at forhindre eventuel høreskade skal du ikke lytte til høje lydstyrker i længere tid ad gangen.

Driftsmiljø

Den ideelle driftstemperatur er 0 °C til 35 °C. Den ideelle opbevaringstemperatur er -20 °C til 45 °C. Ekstrem varme eller kulde kan beskadige enheden eller tilbehør.

Oplysninger om bortskaffelse og genbrug



Dette symbol (med eller uden en udfyldt linje) på enheden, batterierne (hvis inkluderet) og/eller emballagen angiver, at enheden og dens elektriske tilbehør (f.eks. headset, adapter eller kabel) og batterier ikke må bortskaffes som husholdningsaffald. Disse dele må ikke bortskaffes som usorteret husholdningsaffald, men skal afleveres til en godkendt genbrugsstation for genanvendelse eller korrekt bortskaffelse.

For at få mere detaljerede oplysninger om genbrug af enheden eller batteriet kan du forhøre dig hos dit lokale kommunekontor, renovationselskab eller detailhandleren.

Bortskaffelse af enheden og batterier (hvis inkluderet) er underlagt det omarbejdede WEEE-direktiv (direktiv 2012/19/EU) og batteridirektivet (direktiv

2006/66/EF). Formålet med, at affald fra elektrisk og elektronisk udstyr og batterier skal holdes adskilt fra andet affald, er for at minimere den potentielle påvirkning på miljøet og menneskers sundhed på grund af eventuelle farlige stoffer, affaldet måtte indeholde.

Reduktion af sundhedsfarligt indhold

Denne enhed er kompatibel med REACH-forordningen [forordning (EF) nr. 1907/2006] og det omarbejdede RoHS-direktiv (direktiv 2011/65/EU). Batterier (hvis inkluderet) er i overensstemmelse med batteridirektivet (direktiv 2006/66/EF). For opdateret information om REACH og overholdelse af RoHS kan du besøge webstedet <http://consumer.huawei.com/certification>.

Overensstemmelse med EU-lovgivning

Brug når enheden bæres på kroppen

Enheden er i overensstemmelse med RF-specifikationerne, når den anvendes tæt på øret eller i en afstand af 1,5 cm fra kroppen. Sørg for, at enhedens tilbehør, som f.eks. en taske eller hylster, ikke indeholder metaldele. Hold enheden væk fra din krop for at opfylde afstandskravet.

Oplysninger om certificering (SAR)

Denne enhed overholder retningslinjerne for udsættelse for radiobølger. Enheden er en radiomodtager- og sender ved lav frekvens. Som anbefalet i internationale retningslinjer er enheden beregnet til ikke at overskride grænserne for eksponering for radiobølger. Disse retningslinjer er udarbejdet af International Commission on Non-Ionizing Radiation Protection (ICNIRP), en uafhængig, videnskabelig organisation, og omfatter sikkerhedsforanstaltninger, der skal varetage sikkerheden for alle brugere, uanset alder og sundhedstilstand.

Måleenheden for specifik energiabsorptions hastighed (SAR) udtrykker mængden af radiofrekvensenergi, der absorberes af kroppen, når enheden anvendes. SAR-værdien fastlægges til det højeste certificerede effektniveau under laboratorieforhold, men det faktiske SAR-niveau under anvendelse kan være meget lavere. Dette skyldes, at enheden er konstrueret til at anvende den minimale påkrævede energi til at nå netværket.

Den SAR-grænse, der blev vedtaget af Europa, er 2,0 W/kg i gennemsnit over 10 gram væv, og den højeste SAR-værdi for denne enhed er i overensstemmelse med denne begrænsning.

Den højeste SAR-værdi, som er anmeldt for denne type enhed, ved test nær øret, er 1,44 W/kg og ved korrekt placering på kroppen er den 0,56 W/kg.

Erklæring

Huawei Technologies Co., Ltd. erklærer hermed, at denne enhed er i overensstemmelse med de væsentlige krav og andre relevante bestemmelser i EU-direktivet 1999/5/EF og EU-direktiv 2011/65/EF.

Overensstemmelseserklæringen findes på webstedet <http://consumer.huawei.com/certification>.

Produktet er forsynet med denne mærkning:

CE 0197

Denne enhed kan anvendes i alle EU-medlemsstater.

Overhold nationale og lokale bestemmelser, hvor enheden bruges.

Der kan gælde begrænsninger for brug af denne enhed, afhængigt af det lokale netværk.

Begrænsninger på 2,4 GHz-båndet:

Norge: Dette underafsnit gælder ikke for geografiske områder inden for en radius på 20 km fra centrum af Ny-Ålesund.

Overholdelse af FCC-regler

Brug når enheden bæres på kroppen

Enheden er i overensstemmelse med RF-specifikationerne, når den anvendes tæt på øret eller i en afstand af 1,5 cm fra kroppen. Sørg for, at enhedens tilbehør, som f.eks. en taske eller hylster, ikke indeholder metaldele. Hold enheden væk fra din krop for at opfylde afstandskravet.

Oplysninger om certificering (SAR)

Denne enhed er også designet til at opfylde kravene til radiobølger, der er fastlagt af Federal Communications Commission (USA).

SAR-grænsen, som vedtaget af USA, er 1,6 W/kg i gennemsnit for et gram kropsvæv. Den højeste SAR-værdi, der er rapporteret til FCC for denne enhedstype, er i overensstemmelse med denne grænse.

Den højeste SAR-værdi, som er anmeldt til FCC for denne type enhed, for anvendelse nær øret er 1,18 W/kg, og ved korrekt placering på kroppen er 0,87 W/kg, og ved brug af Wi-Fi-hotspot-funktionen er 1,32 W/kg.

FCC-erklæring

Dette udstyr er blevet testet og fundet i overensstemmelse med grænserne for en digital enhed af klasse B, ifølge afsnit 15 i FCC-reglerne. Disse grænser er beregnet til at yde en rimelig beskyttelse mod skadelige forstyrrelser i boliger. Dette udstyr udvikler, bruger, og kan udstråle radiofrekvensenergi, og hvis det ikke installeres og bruges i overensstemmelse med instruktionerne, kan det forårsage skadelige forstyrrelser for radiokommunikation. Der er dog ingen garanti for, at der ikke opstår forstyrrelser i en bestemt installation. Hvis udstyret forårsager skadelige forstyrrelser for radio- eller fjernsynsmodtagelse, hvilket kan fastlægges ved at tænde og slukke udstyret, opfordres brugeren til at prøve at afhjælpe forstyrrelserne på én af følgende måder:

--Omplacer eller flyt den modtagende antenne.

--Øg afstanden mellem udstyret og modtageren.

--Tilslut udstyret til en stikkontakt på et andet kredsløb end der, hvor modtageren er tilsluttet.

--Henvend dig til forhandleren eller en erfaren radio/tv-tekniker for at få hjælp. Denne enhed opfylder reglerne i FCC, del 15. Funktionsmåden skal opfylde følgende to betingelser: (1) enheden må ikke forårsage skadelige forstyrrelser, og (2) enheden skal kunne tåle forstyrrelser fra andre enheder, herunder forstyrrelser der kan medføre en uønsket funktionsmåde.

Bemærk: Eventuelle ændringer eller modifikationer til denne enhed, som ikke udtrykkeligt er godkendt af Huawei Technologies Co, Ltd, kan ugyldiggøre brugerens ret til at betjene udstyret.

Juridisk meddelelse

Copyright © Huawei Technologies Co., Ltd. 2015. Alle rettigheder forbeholdes.

DETTE DOKUMENT ER KUN TIL INFORMATION OG UDGØR INGEN FORM FOR GARANTI.

Politik om beskyttelse af personlige oplysninger

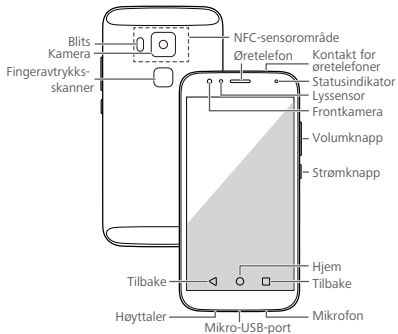
Læs venligst vores politik om beskyttelse af personlige oplysninger på <http://consumer.huawei.com/privacy-policy> for at forstå, hvordan vi beskytter dine personlige oplysninger.

Oversikt over telefonen

La oss ta en titt på den nye telefonen din før du begynner.

Trykk og hold på strømknappen for å slå telefonen på eller av.

- i** Hvis du vil tvinge telefonen til omstart, trykker og holder du på av/på-knappen til telefonen vibrerer.

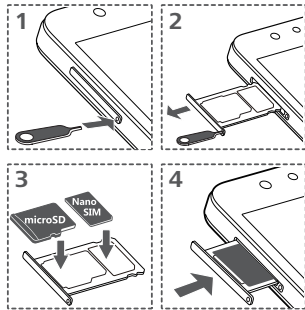


Komme i gang

Følg instruksjonene i figurene nedenfor for å konfigurere telefonen. Ikke sett inn eller ta ut SIM-kort mens telefonen er på.

⊘ Vær forsiktig når du bruker SIM-utløsningsnålen så du ikke skader fingrene eller telefonen. Lagre utløsningsnålen på et trygt sted og utilgjengelig for barn så de ikke kan svelge den eller skade seg på annen måte.

⚠ Sett inn SIM-kortet i riktig kortspor slik at telefonen kan kjenne det igjen.



Mer informasjon

Les hurtigstartveiledningen som følger med enheten.

Åpne **HiCare** for å lese brukerveiledningen og serviceinformasjonen eller få hjelp fra nettforumet.

Gå til <http://consumer.huawei.com/en/> for å laste ned brukerveiledningen for enheten (inkludert sikkerhetsinformasjon) og lese vanlige spørsmål, personvernerklæringen og annen informasjon.

Gå til **Innstillinger > Om telefonen > Juridisk informasjon** for å lese juridisk informasjon.

Gå til <http://consumer.huawei.com/en/support/hotline/> for å finne den mest oppdaterte kontaktinformasjonen for ditt land eller område.

- i** Alle bilder og illustrasjoner i denne veiledningen, inkludert, men ikke begrenset til, telefonens farge, størrelse og skjerminnhold, er bare ment som referanse. Det faktiske produktet kan avvike noe. Ingenting i denne veiledningen er å anse som garanti av noe slag, verken uttrykkelig eller underforstått.

Sikkerhetsinformasjon

Forstyrrelser i forbindelse med medisinsk utstyr

- Følg regler og forskrifter som er fastsatt av sykehus og andre helseinstitusjoner. Ikke bruk enheten der dette er forbudt.
- Enkelte trådløse enheter kan påvirke ytelsen i høreapparater og pacemakere. Spør tjenesteleverandøren hvis du trenger mer informasjon.
- Pacemakerprodusenter anbefaler en avstand på minst 15 cm mellom enheten og pacemakeren for å unngå at pacemakeren forstyrres. Hvis du bruker pacemaker, bør du ha enheten på motsatt side av kroppen fra der pacemakeren er plassert, og ikke bære enheten i lommer foran på kroppen.

Beskyttelse av hørselen ved bruk av headsett



For å unngå hørselsskader bør du unngå høy lydstyrke over lengre tid.

Bruksmiljø

Ideelle brukstemperatur: 0 °C til 35 °C. Ideell oppbevaringstemperatur: -20 °C til 45 °C. Ekstrem varme eller kulde kan skade enheten eller tilbehøret.

Informasjon om avhending og resirkulering



Dette symbolet (med eller uten svart felt) på enheten, batteriene og/eller emballasjen viser at enheten og det tilhørende elektriske utstyret (f.eks. headsett, adapter eller kabel) og batteriet ikke skal avhendes som husholdningsavfall. Disse produktene skal ikke avhendes som usortert kommunalt avfall. Lever dem inn på et sertifisert innsamlingspunkt for resirkulering eller egnet

destruksjon.

Kontakt lokale myndigheter, renholdsetaten eller forhandleren hvis du vil ha mer informasjon om resirkulering av enheten eller batteriet.

Avhending av enhet og batterier (hvis medfølgende) er underlagt det nye WEEE-direktivet (Direktiv 2012/19/EU) og batteridirektivet (Direktiv 2006/66/EF). Hensikten med å skille enheten og batteriene fra annet avfall er å minimere risikoen for miljø- og helseskader som skyldes farlige stoffer.

Reduksjon av farlige stoffer

Denne enheten oppfyller kravene i REACH-forordningen [Forordning (EF) nr. 1907/2006] og det nye RoHS-direktivet (Direktiv 2011/65/EU). Eventuelle medfølgende batterier oppfyller kravene i batteridirektivet (Direktiv 2006/66/EF). Du finner oppdatert informasjon om REACH- og RoHS-kravene på <http://consumer.huawei.com/certification>.

Overholdelse av EU-forordninger

Kropps nær bruk

Enheden samsvarer med RF-spesifikasjonene når den brukes i nærheten av øret eller 1,5 cm fra kroppen. Kontroller at tilbehør som for eksempel vesker eller hylstre, ikke består av metallkomponenter. Hold enheten i anbefalt avstand fra kroppen.

Sertifiseringsinformasjon (SAR)

Denne enheten innfrir retningslinjene for radiobølgeeksponering. Enheden er en svak radiosender og -mottaker. Enheden er konstruert for å overholde de anbefalte grensene for radiobølgeeksponering i tråd med

internasjonale retningslinjer. Disse retningslinjene ble utviklet av den uavhengige forskningsorganisasjonen International Commission on Non-ionizing Radiation Protection (ICNIRP), og omfatter forholdsregler som skal ivareta sikkerheten til brukerne, uavhengig av alder og helse.

Spesifikk absorpsjonsrate (SAR) er et mål på hvor mye energi fra radiofrekvenser som absorberes (tas opp) av kroppen når enheten brukes. SAR-verdien er angitt ved det høyeste registrerte effektnivået i et laboratorium, mens det faktiske SAR-nivået for enheten under bruk, kan være godt under denne verdien. Dette skyldes at enheten er laget for å bruke akkurat så mye kraft som er nødvendig for å nå nettverket.

SAR-grensen som er godkjent i EU, er 2,0 W/kg i 10 gram vev, og den høyeste SAR-verdien for denne enheten er innenfor denne grensen.

Den høyeste SAR-verdien som er rapportert for denne enhetstypen ved bruk ved øret, er 1,44 W/kg. Når enheten bæres riktig på kroppen, er verdien målt til 0,56 W/kg.

Erklæring

Huawei Technologies Co., Ltd. erklærer herved at denne enheten oppfyller de vesentlige kravene og andre relevante forskrifter i direktiv 1999/5/EF og direktiv 2011/65/EU.

Samsvarserklæringen finner du på nettstedet

<http://consumer.huawei.com/certification>.

Produktet har følgende merking:

CE 0197

Denne enheten kan brukes i alle EU-land.

Sørg for å følge nasjonale og lokale forskrifter der enheten brukes.

Bruken av enheten kan være begrenset, avhengig av det lokale nettverket.

Restriksjoner på 2,4 GHz-båndet:

Norge: Dette underavsnittet gjelder ikke for det geografiske området i en radius på 20 km rundt sentrum i Ny-Ålesund.

Overholdelse av FCC-forskriftene

Kroppsnær bruk

Enheten samsvarer med RF-spesifikasjonene når den brukes i nærheten av øret eller 1,5 cm fra kroppen. Kontroller at tilbehør som for eksempel vesker eller hylstre, ikke består av metallkomponenter. Hold enheten i anbefalt avstand fra kroppen.

Sertifiseringsinformasjon (SAR)

Enheten er konstruert i samsvar med kravene fra Federal Communications Commission (USA) mht. radiobølgeeksponering.

SAR-grensen i USA er 1,6 W/kg i gjennomsnitt i ett gram vev. Den høyeste SAR-verdien som er rapportert til FCC for denne enhetstypen, er innenfor denne grensen.

Den høyeste SAR-verdien som er rapportert til FCC for denne enhetstypen ved bruk ved øret, er 1,18 W/kg. Når enheten bæres riktig på kroppen, er verdien målt til 0,87 W/kg. Den målte verdien ved bruk av Wi-Fi-hotspotfunksjonen er 1,32 W/Kg.

FCC-erklæring

Denne enheten er testet og funnet å være i samsvar med grensene for digitale enheter i klasse B i henhold til paragraf 15 i FCC-forskriftene. Disse grensene er utformet for å gi rimelig beskyttelse mot farlige forstyrrelser når enheten er montert i privatboliger. Denne enheten genererer, bruker og kan utstråle radiofrekvensenergi. Hvis den ikke monteres og brukes i henhold til instruksjonene, kan den forårsake forstyrrelser i radiokommunikasjonen. Det gis ingen garanti for at en spesiell installasjon ikke kan føre til forstyrrelser. Slå enheten av og på for å finne ut om den forstyrrer signalene til radio- eller TV-mottak. Ved eventuelle forstyrrelser kan du forsøke ett eller flere av følgende tiltak:

- Snu eller flytt mottaksantennen.
- Øk avstanden mellom utstyret og mottakeren.
- Koble utstyret til et støpsel på en annen krets enn den mottakeren er koblet til.
- Be forhandleren eller en erfaren radio-/TV-tekniker om hjelp.

Denne enheten er i samsvar med paragraf 15 i FCC-forskriftene. Bruken er underlagt følgende to betingelser: (1) Enheten skal ikke forårsake skadelige forstyrrelser. (2) Enheten må akseptere all forstyrrelse som mottas, inkludert forstyrrelser som kan føre til funksjonsfeil.

Forsiktig: Hvis det utføres andre endringer eller modifikasjoner på denne enheten enn det som er uttrykkelig godkjent av Huawei Technologies Co., Ltd., kan brukeren miste autorisasjonen til å bruke utstyret.

Juridisk merknad

Copyright © Huawei Technologies Co., Ltd. 2015. Med enerett.

DETTE DOKUMENTET ER KUN MENT SOM INFORMASJON, OG UTGJØR INGEN FORM FOR GARANTI.

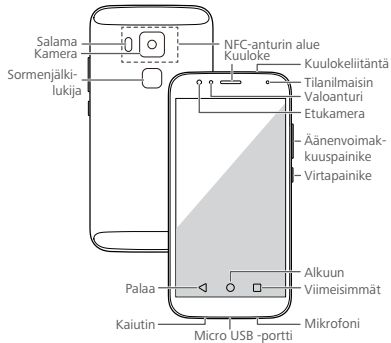
Retningslinjene for personvern

Du kan få en bedre forståelse av hvordan vi beskytter dine personlige opplysninger ved å lese våre retningslinjer for personvern på <http://consumer.huawei.com/privacy-policy>.

Puhelimesi yhdellä silmäyksellä

Tarkastellaan uutta puhelintasi hetki, ennen kuin otat sen käyttöön. Kytke puhelimen virta päälle tai pois päältä pitämällä virtapainiketta painettuna.

- i** Kun haluat pakottaa puhelimen uudelleenkäynnistyksen, pidä virtapainike painettuna, kunnes puhelin värisee.

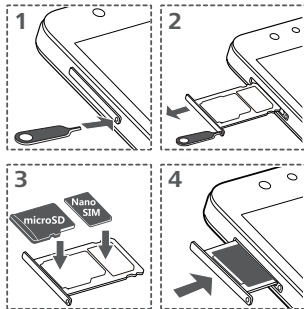


Aloittaminen

Tee puhelimen alkuasetukset noudattamalla seuraavien kuvien ohjeita. Älä liitä tai poista SIM-korttia, kun puhelimen virta on päällä.

- ⊘ Ole varovainen käyttäessäsi SIM-kortin poistopuikkoa, jotta et loukkaa sormiasi tai vaurioita puhelintasi. Säilytä puikko turvallisessa paikassa lasten ulottamattomissa, jotta he eivät vahingossa nieläise sitä tai loukkaa itseään.

- ⚠ Liitä SIM-kortti oikeaan korttipaikkaan, jotta puhelin voi tunnistaa sen.



Lisätietoja


Lue laitteen mukana tullut pika-aloitusopas.

Lue käyttöopas ja huoltotiedot avaamalla **HiCare** tai hae apua online-keskustelupalstalta.

Lataa laitteesi käyttöopas (turvallisuustiedot mukaan lukien) osoitteesta <http://consumer.huawei.com/en/> ja lue UKK:t, tietosuojakäytäntö ja muut tiedot.

Lue lainmukaiset tiedot valitsemalla **Asetukset > Tietoja puhelimesta > Oikeudelliset tiedot**.

Saat maasi tai alueesi viimeisimmät yhteystiedot osoitteesta <http://consumer.huawei.com/en/support/hotline/>.

-  Kaikki tämän oppaan kuvat ja piirroksot, mukaan lukien mm. puhelimen väri, koko ja näytön sisältö, ovat vain viitteellisiä. Itse tuote voi olla erilainen. Mikään tämän oppaan sisältö ei muodosta minkäänlaista suoraa tai välillistä takuuta.

Turvallisuutta koskevat tiedot

Sairaalalaitteisiin aiheutuvat häiriöt

- Noudata sairaaloiden ja terveydenhoitolaitosten sääntöjä ja määräyksiä. Älä käytä laitetta paikoissa, missä sen käyttö on kielletty.
- Jotkin langattomat laitteet voivat vaikuttaa kuulolaitteiden tai sydämentahdistimien toimintaan. Kysy lisätietoja palveluntarjoajaltasi.
- Sydämentahdistinten valmistajat suosittelevat, että mahdollisten häiriöiden välttämiseksi laitetta pidetään vähintään 15 cm:n etäisyydellä sydämentahdistimesta. Jos käytät sydämentahdistinta, pidä laitetta tahdistimeen nähden vastakkaisella puolella äläkä kanno laitetta rintataskussasi.

Kuulon suojaaminen kuulokesarjaa käytettäessä



Vältä pitkäaikaista kuuntelemista suurella äänen voimakkuudella, sillä se voi aiheuttaa kuulovaurion.

Käyttöympäristö

Ihanteellinen käyttölämpötila on 0 - 35 °C. Ihanteellinen varastointilämpötila on -20 - 45 °C. Ääriämpötilat voivat vahingoittaa puhelinta ja lisävarusteita.

Hävittämistä ja kierrätystä koskevat tiedot



Laitteessa, akussa (jos sisältyy toimitukseen) ja/tai pakkauksessa oleva oheinen symboli (yhtenäisellä palkilla tai ilman) osoittaa, ettei laitetta, laitteen sähkövarusteita (esimerkiksi kuulokesarja, verkkovirtasovitin tai kaapeli) eikä akkuja saa hävittää talousjätteen mukana. Näitä tuotteita ei saa hävittää lajittelemattoman kunnallisjätteen seassa, vaan ne on vietävä

valtuutettuun keräyspisteeseen asianmukaista kierrätystä tai hävittämistä varten.

Kysy lisätietoja laitteen tai akun kierrätyksestä viranomaisilta, käyttämältäsi jätehuolto-organisaatiolta tai jälleenmyyjältä.

Laitteen ja akkujen (jos ne sisältyvät toimitukseen) hävittämiseen sovelletaan uusinta WEEE-direktiiviä (2012/19/EU-direktiivi) ja akkudirektiiviä (2006/66/EY-direktiivi). Sähkö- ja elektroniikkaromu ja akut on erotettava muusta jätteestä,

jolloin mahdollisten vaarallisten aineiden mahdolliset ympäristövaikutukset ihmisten terveydelle jäävät mahdollisimman vähäisiksi.

Vaarallisten aineiden vähentäminen

Tämä laite täyttää REACH-asetuksen [Asetus (EY) Nro 1907/2006] ja RoHS-direktiivin (direktiivi 2011/65/EU) vaatimukset. Akut (jos sisältyvät toimitukseen) täyttävät akkudirektiivin (direktiivi 2006/66/EY) vaatimukset. Jos haluat ajantasaista tietoa REACH- ja RoHS-vaatimusten mukaisuudesta, käy verkkosivustossamme osoitteessa <http://consumer.huawei.com/certification>.

Yhdenmukaisuus EU:n määräysten kanssa

Käyttö kehon lähellä

Laite on RF-määräysten mukainen, kun sitä käytetään korvan lähellä tai 1,5 cm:n etäisyydellä kehosta. Varmista, että laitteen lisävarusteita, kuten laitteen koteloa ja säilytystaskua, ei ole valmistettu metalliosista. Pidä laite riittävän kaukana kehostasi.

Sertifiointitiedot (SAR-arvo)

Tämä laite täyttää radioaalloille altistumista koskevat vaatimukset.

Laite on matalatehoinen radiolähetin ja -vastaanotin. Laite on suunniteltu kansainvälisten vaatimusten mukaisesti eikä se ei ylitä radioaalloille altistumisen rajoja. Nämä vaatimukset on kehittänyt International Commission on Non-Ionizing Radiation Protection (ICNIRP), joka on riippumaton tieteellinen organisaatio. Vaatimukseen sisältyvät varotoimenpiteet, jotka on suunniteltu takaamaan kaikkien käyttäjien turvallisuus iästä ja terveydentilasta riippumatta.

SAR (Specific Absorption Rate, ominaisabsorptionopeus) on suure, jolla mitataan laitteen käytön aikana kehoon absorboituvan radiotaajuusenergian määrää. SAR-arvo mitataan laboratorio-olosuhteissa suurimmalla hyväksytyllä tehotasolla, mutta laitteen todellinen SAR-taso käytön aikana voi olla merkittävästi tätä tasoa matalampi. Tämä johtuu siitä, että laite on suunniteltu käyttämään mahdollisimman vähän virtaa verkkoyhteyden muodostamiseen. Euroopassa voimassa oleva SAR-raja on 2,0 W/kg mitattuna 10 kudosgrammalla, ja tämän laitteen suurin SAR-arvo on tämän raja-arvon mukainen. Tämän laitetyypin suurin SAR-arvo korvan kohdalla mitattuna on 1,44 W/kg ja asianmukaisesti kehon lähellä säilytettynä 0,56 W/kg.

Ilmoitus

Huawei Technologies Co., Ltd. vakuuttaa täten, että tämä laite on yhdenmukainen direktiivin 1999/5/EY ja direktiivin 2011/65/EU olennaisten vaatimusten ja direktiivin muiden asiaankuuluvien säännösten kanssa. Vaatimustenmukaisuusvakuutus on nähtävillä Internet-sivustossa osoitteessa <http://consumer.huawei.com/certification>.

Tuotteessa on seuraava merkintä:

CE 0197

Tätä laitetta saa käyttää kaikissa EU:n jäsenvaltioissa.

Noudata laitteen käyttöpaikan kansallisia ja paikallisia säädöksiä.

Tämän laitteen käyttö voi olla kiellettyä tai rajoitettua paikallisesta verkosta riippuen.

Rajoitukset 2,4 GHz:n taajuusalueella:

Norja: Tämä alakohta ei päde Ny-Ålesundin keskustaa ympäröivällä, säteeltään 20 km olevalla maantieteellisellä alueella.

FCC-vaatimustenmukaisuus

Käyttö kehon lähellä

Laitte on RF-määräysten mukainen, kun sitä käytetään korvan lähellä tai 1,5 cm:n etäisyydellä kehosta. Varmista, että laitteen lisävarusteita, kuten laitteen kotelo ja säilytystaskua, ei ole valmistettu metalliosista. Pidä laite riittävän kaukana kehostasi.

Sertifiointitiedot (SAR-arvo)

Tämä laite on myös suunniteltu täyttämään Federal Communications Commissionin (Yhdysvaltain telehallintoviraston) radioaaltoaltistusta koskevat vaatimukset.

Yhdysvalloissa voimassa oleva SAR-raja on 1,6 W/kg yhdellä kudosgrammalla mitattuna. Suurin FCC:lle raportoitu tämän laitetyypin SAR-arvo on tämän raja-arvon mukainen.

Suurin FCC:lle raportoitu tämän laitetyypin SAR-arvo korvan kohdalla käytettäessä on 1,18 W/kg, asianmukaisesti kehon lähellä säilytettynä 0,87 W/kg ja Wi-Fi-aktiivialuetta käytettäessä 1,32 W/kg.

FCC-lauseke

Tämä laite on testattu ja se vastaa digitaaliselle laitteelle annettuja FCC:n sääntöjen osan 15 luokan B rajoituksia. Näiden rajoitusten tarkoitus on varmistaa riittävä suoja haitallisia häiriöitä vastaan, kun laitetta käytetään kotikäytössä. Tämä laite tuottaa, käyttää ja voi säteillä radiotaajuusenergiaa. Jos laitetta ei asenneta tai käytetä näiden ohjeiden mukaisesti, se voi aiheuttaa haitallisia häiriöitä radioliikenteeseen. Emme kuitenkaan takaa, ettei tietty asennus aiheuta häiriöitä. Jos tämä laite aiheuttaa haitallisia häiriöitä radio- tai televisiovastaanottimissa, mikä voidaan selvittää sulkemalla ja käynnistämällä laitteet, suosittelemme, että yrität korjata häiriön jollakin seuraavista toimenpiteistä:

- Muuta vastaanottoantennin asentoa tai paikkaa.
- Siirrä vastaanotin ja laitteisto kauemmaksi toisistaan.
- Kytke laitteisto eri virtapiiriin pistorasiaan kuin vastaanotin.

-- Pyydä apua jälleenmyyjältä tai kokeneelta radio- ja TV-asentajalta. Tämä laite on FCC:n sääntöjen osan 15 mukainen. Käyttö on sallittua seuraavien kahden ehdon toteutuessa: (1) laite ei saa aiheuttaa haitallisia häiriöitä ja (2) laitteen on pystyttävä sietämään vastaanotetut häiriöt, mukaan lukien ei-toivottua toimintaa aiheuttavat häiriöt.

Varoitus: Muut kuin Huawei Technologies Co., Ltd:n erikseen hyväksymät muutokset laitteeseen voivat aiheuttaa laitteen käyttöluvan epäämiseen käyttäjältä.

Oikeudellinen huomautus

Copyright © Huawei Technologies Co., Ltd. 2015.

Kaikki oikeudet pidätetään.

TÄMÄN ASIAKIRJAN TARKOITUS ON AINOASTAAN ANTAA TIETOA, EIKÄ SIIHEN SISÄLLY MINKÄÄNLAISIA TAKUITA.

Yksityisyysuoja

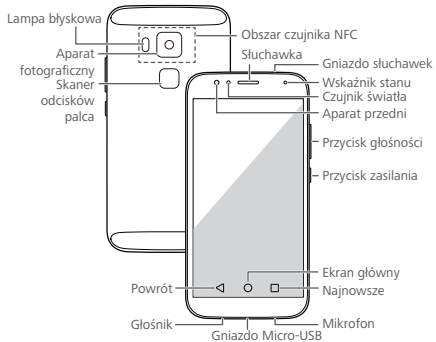
Jotta ymmärtäisit paremmin, miten henkilökohtaiset tietosi suojataan, katso yksityisyysuoja käytäntö osoitteesta <http://consumer.huawei.com/privacy-policy>.

Ogólna prezentacja telefonu

Zanim zaczniesz korzystać z nowego telefonu, poświęć chwilę, aby się z nim zapoznać.

Aby włączyć lub wyłączyć telefon, naciśnij i przytrzymaj przycisk włącznika.

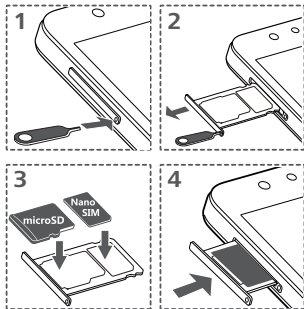
- i** W celu wymuszenia ponownego uruchomienia telefonu naciśnij i przytrzymaj włącznik, aż poczujesz wibracje telefonu.



Od czego zacząć

Przygotuj telefon do pracy, postępując zgodnie ze wskazówkami na poniższych ilustracjach. Nie wkładaj ani nie wyjmuj karty SIM w czasie, gdy telefon jest włączony.

- ⊘ Pamiętaj o zachowaniu ostrożności przy korzystaniu ze szpilki dołączonej do opakowania do wyjmowania karty SIM, aby nie skaleczyć się i nie uszkodzić telefonu. Zachowaj szpilkę w bezpiecznym miejscu poza zasięgiem dzieci, które mogłyby ją przypadkiem połknąć albo się skaleczyć.
- ⚠ Włóż kartę SIM do odpowiedniego gniazda, aby umożliwić jej rozpoznanie w telefonie.



Dodatkowe informacje


Zapoznaj się z dołączonym podręcznikiem "Szybki start".

Otwórz aplikację **HiCare**, aby przeczytać podręcznik użytkownika i informacje o serwisie lub uzyskać pomoc na forum internetowym.

Wejdź na stronę <http://consumer.huawei.com/pl/>, aby pobrać podręcznik użytkownika oraz informacje o bezpieczeństwie obsługi, listę najczęstszych pytań, zasady ochrony prywatności i inne informacje.

Przejdź zakładkę w menu telefonu **Ustawienia > Informacje o telefonie > Informacje prawne**, aby przeczytać informacje prawne.

Strona <http://consumer.huawei.com/en/support/hotline/> zawiera najbardziej aktualne dane kontaktowe w danym kraju lub regionie.

-  Wszystkie zdjęcia i ilustracje w tym podręczniku mają wyłącznie charakter poglądowy. Dotyczy to w szczególności koloru i rozmiaru telefonu oraz zawartości ekranu. Faktyczny wygląd może odbiegać od przedstawionego. Żadna część tego podręcznika nie stanowi gwarancji żadnego typu, wyrażonej wprost ani dorozumianej.

Bezpieczeństwo użycia

Zakłócanie działania sprzętu medycznego

- Przestrzegaj przepisów i zasad obowiązujących w szpitalach i innych placówkach służby zdrowia. Nie korzystaj z urządzenia w miejscach, w których jest to zabronione.
- Niektóre urządzenia bezprzewodowe mogą wpływać na działanie aparatów słuchowych lub rozruszników serca. Więcej informacji udzieli usługodawca.
- Producenci rozruszników serca zalecają, aby odległość pomiędzy urządzeniem a rozrusznikiem wynosiła co najmniej 15 cm w celu wyeliminowania potencjalnych zakłóceń pracy rozrusznika. Jeśli używasz rozrusznika, używaj urządzenia po stronie przeciwnej względem rozrusznika i nie noś urządzenia w przedniej kieszeni.

Ochrona słuchu podczas korzystania z zestawu słuchawkowego



Aby uniknąć ryzyka uszkodzenia słuchu, nie słuchaj dźwięku na wysokim poziomie głośności przez dłuższy czas.

Warunki eksploatacji

Idealny zakres temperatur pracy urządzenia: od 0 °C do 35 °C. Idealny zakres temperatur przechowywania: od -20 °C do 45 °C. Bardzo wysokie i bardzo niskie temperatury mogą uszkodzić urządzenie lub jego akcesoria.

Utylizacja i recykling odpadów



Ten symbol (z paskiem lub bez niego) umieszczony na urządzeniu, bateriach (jeżeli są dodane w komplecie) lub opakowaniu wskazuje, że urządzenie oraz jego elektryczne akcesoria (na przykład zestawu słuchawkowego, zasilacza lub przewodów) nie należy wyrzucać razem ze zwykłymi odpadami

domowymi. Przedmiotów tych nie wolno wyrzucać jako nieposortowanych odpadów komunalnych, lecz należy je przekazać do certyfikowanego punktu zbiórki do recyklingu lub odpowiedniej utylizacji.

W celu uzyskania szczegółowych informacji na temat recyklingu urządzenia lub baterii należy skontaktować się z lokalnym urzędem miasta, firmą wywożącą odpady komunalne lub punktem zakupu.

Utylizacja urządzenia i baterii (jeżeli są dodane w komplecie) podlega wersji przekształconej Dyrektywy WEEE (2012/19/UE) i Dyrektywie w sprawie baterii i akumulatorów (2006/66/WE). Powodem oddzielenia i segregacji zużytego sprzętu elektrycznego i elektronicznego oraz baterii od innych odpadów jest minimalizacja potencjalnego wpływu niebezpiecznych substancji na środowisko i zdrowie ludzi.

Ograniczanie ilości substancji niebezpiecznych

To urządzenie jest zgodne z rozporządzeniem REACH [Rozporządzenie (WE) nr 1907/2006] i przekształconą dyrektywą RoHS (dyrektywa 2011/65/UE). Baterie (jeżeli są dodane w komplecie) spełniają wymagania Dyrektywy w sprawie baterii i akumulatorów (2006/66/WE). Aktualne informacje o zgodności z

wymaganiami rozporządzenia REACH i dyrektywy RoHS można znaleźć w witrynie internetowej <http://consumer.huawei.com/certification>.

Zgodność z przepisami UE

Noszenie działającego aparatu blisko ciała

Urządzenie jest zgodne ze specyfikacjami dotyczącymi emisji fal o częstotliwościach radiowych, gdy jest używane blisko ucha lub w odległości 1,5 cm od ciała. Upewnij się, że akcesoria urządzenia, np. jego pokrowiec, nie zawierają metalowych elementów. Urządzenie należy trzymać w określonym oddaleniu od ciała, aby zapewnić normy prawidłowej odległości.

Certyfikacja (SAR)

To urządzenie spełnia wymagania dotyczące ekspozycji na działanie fal radiowych.

Urządzenie to pełni funkcję nadajnika i odbiornika o niskiej mocy. Urządzenie zostało zaprojektowane tak, aby nie przekraczało wartości granicznych ekspozycji na fale radiowe zalecanych w międzynarodowych wytycznych. Wytyczne te zostały opracowane przez niezależną organizację naukową, Międzynarodową Komisję ds. Ochrony przed Promieniowaniem

Niejonizującym (ICNIRP), i obejmują środki bezpieczeństwa zapewniające ochronę wszystkich użytkowników bez względu na ich wiek i stan zdrowia. Współczynnik absorpcji SAR jest jednostką miary ilości promieniowania o częstotliwości radiowej pochłanianego przez ludzkie ciało podczas korzystania z urządzenia. Wartość tego współczynnika jest określana przez najwyższy certyfikowany poziom mocy w warunkach laboratoryjnych, faktyczny poziom współczynnika SAR w konkretnym przypadku może być jednak znacznie niższy. Wynika to z faktu, że urządzenie zostało zaprojektowane tak, aby zużywało minimalną ilość energii wymaganą do łączenia z siecią. Norma SAR przyjęta w Europie wynosi 2,0 W/kg w uśrednieniu na 10 gramów tkanki. Najwyższy osiągalny poziom SAR przy korzystaniu z tego urządzenia spełnia tę normę. Najwyższa wartość współczynnika SAR w przypadku urządzenia tego typu podczas testowania go przy uchu to 1,44 W/kg oraz 0,56 W/kg, gdy urządzenie było prawidłowo noszone przy ciele.

Deklaracja

Firma Huawei Technologies Co., Ltd. niniejszym deklaruje, że to urządzenie jest zgodne z zasadniczymi wymaganiami i innymi stosownymi przepisami Dyrektywy 1999/5/WE oraz Dyrektywy 2011/65/UE.

Deklaracja zgodności jest dostępna na stronie internetowej

<http://consumer.huawei.com/certification>.

Produkt zawiera następujące oznaczenie:

CE 0197

To urządzenie może być wykorzystywane na terenie wszystkich państw członkowskich UE.

W miejscach użytkowania urządzenia należy przestrzegać przepisów krajowych i lokalnych.

W zależności od sieci lokalnej użytkowanie urządzenia może podlegać ograniczeniom.

Ograniczenia dotyczące transmisji w paśmie 2,4 GHz:

Norwegia: Ten fragment nie dotyczy obszaru geograficznego w promieniu 20 km od centrum Ny-Ålesund.

Zgodność z przepisami FCC

Noszenie działającego aparatu blisko ciała

Urządzenie jest zgodne ze specyfikacjami dotyczącymi emisji fal o częstotliwościach radiowych, gdy jest używane blisko ucha lub w odległości 1,5 cm od ciała. Upewnij się, że akcesoria urządzenia, np. jego pokrowiec, nie zawierają metalowych elementów. Urządzenie należy trzymać w pewnym oddaleniu od ciała, aby spełnić normy prawidłowej odległości.

Certyfikacja (SAR)

To urządzenie zostało skonstruowane zgodnie z wymogami norm narażenia na emisje fal radiowych, ustalonymi przez Federalną Komisję ds. Komunikacji FCC (USA).

Dopuszczalna wartość SAR przyjęta w USA wynosi 1,6 W/kg po uśrednieniu na 1 gram tkanki. Najwyższa przekazana do komisji FCC wartość SAR dotycząca tego typu urządzeń była niższa od tego limitu.

Najwyższa wartość SAR zgłoszona w FCC dla urządzeń tego typu wynosi 1,18 W/kg podczas trzymania przy uchu, 0,87 W/kg podczas prawidłowego noszenia w pobliżu ciała oraz 1,32 W/Kg podczas korzystania z funkcji punktu dostępowego Wi-Fi.

Deklaracja zgodności z przepisami FCC

Urządzenie zostało przetestowane i spełnia ograniczenia dla urządzeń cyfrowych klasy B, zgodnie z częścią 15 przepisów Komisji FCC. Normy te mają służyć zapewnieniu w rozsądnym zakresie ochrony przed szkodliwymi zakłóceniami w przypadku instalacji w budynkach mieszkalnych. Urządzenie generuje, wykorzystuje i może emitować energię o częstotliwości fal radiowych oraz, jeśli nie jest zainstalowane i używane zgodnie z instrukcją, może powodować szkodliwe zakłócenia w komunikacji radiowej. Nie ma jednak gwarancji, że takie zakłócenia mimo wszystko nie pojawią się w przypadku określonych instalacji. Jeśli urządzenie powoduje zakłócenia w odbiorze sygnału radiowego lub telewizyjnego, co można stwierdzić włączając je i wyłączając, użytkownik powinien spróbować skorygować zakłócenia za pomocą jednej z następujących metod:

- zmiana orientacji lub umiejscowienia anteny odbiorczej,
 - zwiększenie odległości między urządzeniem a odbiornikiem,
 - podłączenie urządzenia do gniazda elektrycznego w innym obwodzie niż odbiornik,
 - zasięgnięcie porady u sprzedawcy lub u wykwalifikowanego serwisanta RTV.
- Urządzenie jest zgodne z wymogami "Części 15" przepisów komisji FCC. Działanie urządzenia podlega dwóm poniższym zasadom: (1) urządzenie nie może powodować szkodliwych zakłóceń i (2) musi przyjmować wszelkie zakłócenia, łącznie z zakłóceniami mogącymi powodować niepożądane działanie.

Ostrzeżenie: wszelkie przeróbki i modyfikacje w tym urządzeniu, które nie zostały pisemnie zatwierdzone przez firmę Huawei Technologies Co., Ltd. jako zgodne z normami, unieważniają prawo użytkownika do korzystania ze sprzętu.

Nota prawna

Copyright © Huawei Technologies Co., Ltd. 2015.

Wszelkie prawa zastrzeżone.

NINIEJSZY DOKUMENT SŁUŻY WYŁĄCZNIE DO CELÓW INFORMACYJNYCH I
NIE STANOWI JAKIEJKOLWIEK GWARANCJI.

Polityka prywatności

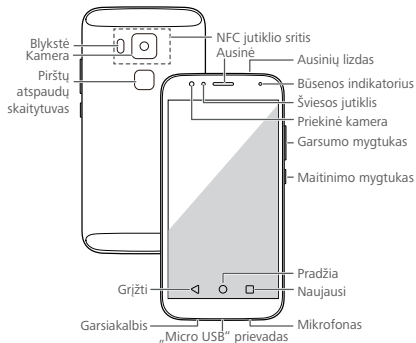
Aby lepiej zrozumieć, jak chronimy Twoje dane osobowe, prosimy zapoznać się z naszą polityką prywatności pod adresem:

<http://consumer.huawei.com/privacy-policy>.

Apie jūsų telefoną trumpai

Prieš pradėdami naudotis, susipažinkite su savo naujojo telefono galimybėmis. Paspauskite ir palaikykite maitinimo mygtuką, kad įjungtumėte arba išjungtumėte savo telefoną.

- i** Kad priverstinai paleistumėte savo telefoną iš naujo, paspauskite ir palaikykite maitinimo mygtuką, kol telefonas suvibruos.

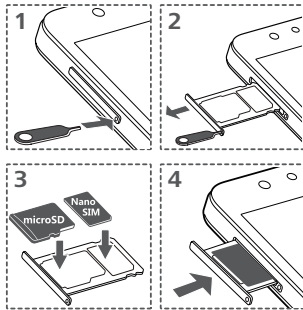


Darbo pradžia

Savo telefonui nustatyti vykdykite tolesnėse iliustracijose pateiktas instrukcijas. Kai įjungtas telefonas, neįdėkite ir neišimkite SIM kortelės.

⊘ SIM kortelės išėmimo įrankiu naudokitės atsargiai, kad nesusižeistumėte pirštų ir neapgadintumėte telefono. Laikykite įrankį saugioje, vaikams nepasiekiamoje vietoje, kad jie netyčia neprarytų jo ir nesusižalotų.

⚠ Įdėkite SIM kortelę į tinkamą kortelės lizdą, kad ją telefonas atpažintų.



Daugiau informacijos

Perskaitykite su įrenginiu pateiktą sparčiosios paleisties vadovą.

Atverkite **HiCare**, kad perskaitytumėte naudotojo vadovą ir techninės priežiūros informaciją arba gautumėte pagalbos iš internetinio forumo narių. Eikite <http://consumer.huawei.com/lt/>, jei norite atsisiųsti savo įrenginio naudotojo vadovą (su saugos informacija) ir perskaityti DUK, privatumo politiką bei kitą informaciją.

Eikite į **Nustatymai > Apie telefoną > Teisinė informacija**, kad perskaitytumėte teisinę informaciją.

Apsilankykite <http://consumer.huawei.com/en/support/hotline/>, kad gautumėte naujausią savo šalies ar regiono kontaktinę informaciją.

- i** Visos šiame vadove pateikiamos nuotraukos ir iliustracijos, įskaitant (tačiau neapsiribojant) telefono spalvą, dydį ir ekrano turinį, yra skirtos tik bendrajai informacijai. Tikrasis gaminys gali būti kitoks. Niekas šiame vadove negali būti laikoma garantija – tiek numanoma, tiek aiškiai išreikšta.

Saugos informacija

Medicinos įrangos trukdžiai

- Laikykitės ligoninėse ir sveikatos priežiūros įstaigose taikomų taisyklių ir reikalavimų. Nenaudokite įtaiso draudžiamose vietose.
- Kai kurie belaidžio ryšio įtaisai gali turėti įtakos klausos aparatų ar širdies stimuliatorių veikimui. Išsamesnės informacijos teiraukitės paslaugų teikėjo.
- Širdies stimuliatorių gamintojai rekomenduoja išlaikyti mažiausiai 15 cm atstumą tarp įtaiso ir širdies stimulatoriaus, siekiant išvengti galimų jo veiklos sutrikimų. Jei nešiojate širdies stimuliatorių, laikykite įtaisą priešingoje širdies stimuliatoriui pusėje ir nesinešiokite įtaiso priekinėje kišenėje.

Klausos apsauga naudojant ausines



Kad nesutriktų klausa, neklausykite atkuriamų įrašų dideliu garsumu ilgą laiką.

Naudojimo aplinka

Geriausia veikimo temperatūra yra nuo 0 °C iki 35 °C. Geriausia laikymo temperatūra yra nuo -20 °C iki 45 °C. Dideliame karštyje arba šaltyje įtaisas arba jo priedai gali sugesti.

Informacija apie atliekų tvarkymą ir perdirbimą



Šis simbolis (su juodu brūkšniu arba be jo) ant įtaiso, baterijos (jei pridedama) ir (arba) pakuotės nurodo, kad įtaisą, jo elektrinius priedus (pvz., ausines, adapterį arba kabelį) ir baterijas draudžiama išmesti su buitinėmis atliekomis. Draudžiama šiuos daiktus išmesti su nerūšiuotomis buitinėmis atliekomis. Juos reikia nunešti į paskirtąjį surinkimo punktą, kur bus pasirūpinta

perdirbimu arba sutvarkymu tinkamu būdu.

Išsamesnės informacijos apie įtaiso arba baterijos perdirbimą teiraukitės vietinėje savivaldybėje, buitinių atliekų tvarkymo įmonėje arba mažmeninės prekybos parduotuvėje.

Įtaisas ir baterijos (jei pridedamos) turi būti šalinamos vadovaujantis pataisyta EEJA direktyva (2012/19/ES) ir Baterijų direktyva (2006/66/EB). EEJA ir baterijos

nuo kitų atliekų atskiriamos siekiant sumažinti galimą jose esančių pavojingų medžiagų poveikį aplinkai ir žmonių sveikatai.

Pavojingų medžiagų kiekio mažinimas

Šis įtaisas atitinka REACH reglamentą (reglamentas (EC) Nr. 1907/2006) ir pakeistą „RoHS“ direktyvą (2011/65/ES). Baterijos (jei pridedamos) atitinka Baterijų direktyvą (2006/66/EB). Naujausios informacijos apie atitiktį REACH ir „RoHS“ reikalavimams ieškokite interneto svetainėje <http://consumer.huawei.com/certification>.

Atitiktis ES reglamentams

Naudojimas nešiojantis ant kūno

Šis įtaisas atitinka radijo dažnio reikalavimus, jei yra naudojamas šalia ausies arba 1,5 cm atstumu nuo kūno. Užtikrinkite, kad įtaiso prieduose, pavyzdžiui, jo dėkle ir įmautėje, nebūtų metalinių dalių. Nelaikykite įtaiso prie kūno arčiau už nurodytąjį atstumą.

Sertifikavimo informacija (SAR)

Šis įtaisas atitinka rekomendacijas dėl radijo bangų poveikio.

Šis įtaisas yra mažos galios radijo siųstuvas ir imtuvas. Kaip nurodyta tarptautinėse rekomendacijose, įtaisas sukurtas neviršyti radijo bangų poveikio ribų. Šias rekomendacijas sudarė nepriklausoma mokslininkų organizacija – Tarptautinė apsaugos nuo nejonizuojančios spinduliuotės komisija (ICNIRP). Jos apima saugos priemones, skirtas užtikrinti visų naudotojų apsaugą nepriklausomai nuo jų amžiaus ir sveikatos būklės.

Savitosios sugerties sparta (SAR) yra matavimo vienetas, skirtas įvertinti radijo bangų dažnių energiją, kurią kūnas absorbuoja naudojant įrenginį. SAR vertę aukščiausioji sertifikavimo institucija nustato laboratorijoje, tačiau tikrasis SAR lygis naudojimo metu gali būti gerokai mažesnis už nustatytą vertę. Taip yra todėl, kad įtaisas yra sukurtas pasiekti tinklą suvartojant kuo mažiau energijos. SAR riba, nustatyta Europoje, siekia 2,0 W/kg, kuri apskaičiuota pagal vidutinę 10 audinio gramų tenkančią energiją. Didžiausia šio įtaiso SAR vertė neviršija šios ribos.

Didžiausia SAR vertė, nustatyta bandant šio tipo įtaisą pridėjus prie ausies, yra 1,44 W/kg, o tinkamai nešiojantis prie kūno – 0,56 W/kg.

Pareiškimas

Šiuo dokumentu bendrovė „Huawei Technologies Co., Ltd.“ pareiškia, kad šis įtaisas atitinka direktyvos 1999/5/EB ir direktyvos 2011/65/ES pagrindinius reikalavimus ir kitas atitinkamas nuostatas.

Atitikties deklaraciją rasite interneto svetainėje

<http://consumer.huawei.com/certification>.

Gaminio ženklinaimas:

CE 0197

Šį įtaisą galima naudoti visose ES valstybėse narėse.

Laikykitės įtaiso naudojimo vietovėje galiojančių šalies ir vietinių reglamentų.

Priklausomai nuo vietinio tinklo, galimybės naudotis įtaisu gali būti ribotos.

Ribojimas 2,4 GHz dažnio juostoje:

Norvegija. Šis skirsnis netaikomas geografinėi teritorijai, esančiai 20 km spinduliu nuo Ny-Ålesund miesto centro.

Atitiktis FCC reglamentams

Naudojimas nešiojantis ant kūno

Šis įtaisas atitinka radijo dažnio reikalavimus, jei yra naudojamas šalia ausies arba 1,5 cm atstumu nuo kūno. Užtikrinkite, kad įtaiso prieduose, pavyzdžiui, jo dėkle ir įmautėje, nebūtų metalinių dalių. Nelaikykite įtaiso prie kūno arčiau už nurodytą atstumą.

Sertifikavimo informacija (SAR)

Šis įtaisas taip pat suprojektuotas laikantis Federalinės ryšių komisijos (JAV) nustatytų reikalavimų dėl radijo bangų poveikio.

SAR riba, nustatyta JAV, siekia 1,6 W/kg, kuri apskaičiuota pagal vidutinę vienam audinio gramui tenkančią energiją. Didžiausia FCC žinoma tokio tipo įtaisų SAR vertė neviršija šios ribos.

Didžiausia FCC žinoma tokio tipo įtaisų SAR vertė pridėjus prie ausies yra 1,18 W/kg, tinkamai nešiojantis prie kūno – 0,87 W/kg, o įjungus „Wi-Fi“ viešosios interneto prieigos taško funkciją – 1,32 W/kg.

Pareiškimas dėl FCC reikalavimų

Šis įtaisas buvo išbandytas ir nustatyta, kad jis atitinka B klasės skaitmeniniam įtaisui numatytas ribines vertes (pagal FCC taisyklių 15 dalį). Šių apribojimų paskirtis – užtikrinti pakankamą apsaugą nuo žalingų trukdžių gyvenamojoje aplinkoje. Šis įtaisas generuoja, naudoja ir gali skleisti radijo dažnio energiją. Jei jis nebus įrengiamas ir naudojamas pagal instrukcijas, gali žalingai trukdyti radijo ryšį. Vis dėlto negarantuojama, kad įrengus konkrečiu būdu, trukdžiai nebus sukelti. Jei šis įtaisas sukelia žalingus radijo arba televizijos signalų priėmimo trukdžius, kurie pastebimi įrenginį įjungiant ir išjungiant, naudotojui patariama trukdžių išvengti taikant vieną ar kelias toliau nurodytas priemones:

- Kitaip nukreipti arba perstatyti priėmimo anteną.
- Padidinti atstumą tarp įtaiso ir imtuvo.
- Įjungti įtaisą į lizdą, esantį kitoje grandinėje, nei ta, prie kurios prijungtas imtuvas.
- Pasitarti su gamintojo atstovu arba patyrusiu radijo ir (arba) televizijos įrangos meistru.

Šis įtaisas atitinka FCC taisyklių 15 dalies reikalavimus. Naudoti leidžiama, jei laikomasi šių dviejų sąlygų: pirma, šis įtaisas neturi kelti žalingų trukdžių ir, antra, šis įtaisas turi priimti bet kokius trukdžius, įskaitant ir tuos, kurie gali trikdyti jo veikimą.

Atsargiai Leidimas naudoti šį įtaisą gali netekti galios, jei įtaisas pakeičiamas arba modifikuojamas negavus aiškaus bendrovės „Huawei Technologies Co., Ltd.“ pritarimo dėl atitikties taikomiems reikalavimams.

Teisinis pranešimas

Autorių teisės priklauso © „Huawei Technologies Co., Ltd.“ 2015. Visos teisės saugomos.

ŠIS DOKUMENTAS YRA TIK INFORMACINIO POBŪDŽIO IR NESUTEIKIA JOKIŲ GARANTIJŲ.

Privatumo taisyklės

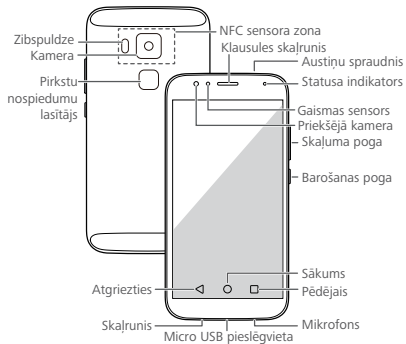
Kad geriau suprastumėte, kaip mes saugome jūsų asmeninę informaciją, perskaitykite privatumo taisykles adresu <http://consumer.huawei.com/privacy-policy>.

Īsumā par tālrūni

Pirms sākat tālrūni lietot, iepazīsimies ar to.

Nospiediet un turiet barošanas taustiņu, lai ieslēgtu vai izslēgtu tālrūni.

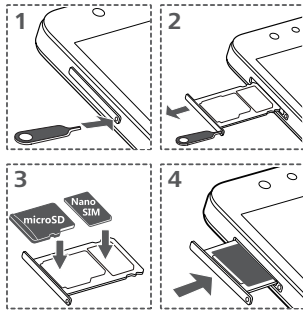
- i** Lai piespiedu kārtā pārstartētu tālrūni, nospiediet un turiet barošanas pogu, līdz tālrūnis ievibrējas.



Darba sākšana

Lai iestatītu tālruni, ievērojiet tālāk iekļautajos attēlos sniegtos norādījumus. Neievietojiet un neizņemiet SIM karti, kamēr tālrunis ir ieslēgts.

- ⊘ Lietojot SIM izņemšanas rīku, lūdzu, rīkojieties piesardzīgi, lai nesavainotu pirkstus un nesabojātu tālruni. Noglabājiet šo rīku drošā vietā, kur tam nevar piekļūt bērni, lai viņi nevarētu to norīt vai ar to netišām savainoties.
- ⚠ Ievietojiet SIM karti pareizajā kartes ligzdā, lai nodrošinātu, ka tālrunis var to atpazīt.



Plašākai informācijai


Izlasiet ātras darba sākšanas pamācību, kuru saņēmt kopā ar ierīci.

Atveriet **HiCare**, lai lasītu lietošanas pamācību un apkopes informāciju vai saņemtu palīdzību tiešsaistes forumā.

Apmeklējiet vietni <http://consumer.huawei.com/lv/>, lai lejupielādētu savas ierīces lietošanas pamācību (tostarp drošības informāciju) un lasītu bieži uzdotos jautājumus, konfidencialitātes politiku un citu informāciju.

Atveriet vietni **Iestatījumi > Par tālruni > Juridiskā informācija**, lai lasītu juridisko informāciju.

Lūdzu, apmeklējiet vietni <http://consumer.huawei.com/en/support/hotline/>, lai noskaidrotu jaunāko kontaktinformāciju jūsu valstij vai reģionam.

-  Visi šajā pamācībā ietvertie attēli, tostarp, bet ne tikai attēli, kuros redzama tālruņa krāsa, izmēri un ekrana saturs, ir paredzēti tikai jūsu uzziņai. Faktiskais produkts var atšķirties. Neviena šīs pamācības daļa nav uzskatāma ne par kāda veida garantiju: ne tiešu, ne izrietošu.

Informācija par drošību

Traucējumi medicīnas aprīkojumam

- Ievērojiet slimnīcās un veselības aprūpes iestādēs spēkā esošos noteikumus. Nelietojiet ierīci, kur tas aizliegts.
- Dažas bezvadu ierīces var ietekmēt dzirdes aparātu vai elektrokardiostimulatoru darbību. Lai iegūtu papildinformāciju, sazinieties ar pakalpojumu sniedzēju.
- Elektrokardiostimulatoru ražotāji iesaka ievērot vismaz 15 cm attālumu starp ierīci un elektrokardiostimulatoru, lai novērstu iespējamus elektrokardiostimulatora traucējumus. Ja izmantojat elektrokardiostimulatoru, lietojiet ierīci elektrokardiostimulatoram pretējā pusē un nenēsājiet ierīci priekšējā kabatā.

Dzirdes aizsardzība, izmantojot austiņas



Lai novērstu iespējamus dzirdes bojājumus, neklausieties lielā skaļumā ilgu laika posmu.

Ekspluatācijas vide

Piemērotākā ekspluatācijas temperatūra ir no 0 °C līdz 35 °C. Piemērotākā uzglabāšanas temperatūra ir no -20 °C līdz 45 °C. Pārāk liels karstums vai aukstums var sabojāt ierīci vai piederumus.

Informācija par likvidēšanu un utilizāciju



Šis simbols (ar platu joslu vai bez tās) uz ierīces, akumulatoriem (ja ietverts) un/vai uz iepakojuma norāda, ka ierīci, tās elektriskos piederumus (piemēram, austiņas, adapteri vai kabeli) un akumulatorus nedrīkst izmest sadzīves atkritumos. Šos elementus nedrīkst izmest nešķirotos sadzīves atkritumos, un tos jānodod sertificētā savākšanas punktā utilizācijai vai pareizai likvidēšanai.

Lai saņemtu detalizētu informāciju par ierīces vai akumulatora utilizāciju, lūdzu, sazinieties ar pašvaldību, sadzīves atkritumu savākšanas dienestu vai mazumtirdzniecības veikalu.

Uz ierīces un akumulatoru (ja iekļauti) utilizāciju ir attiecināms WEEE direktīvas pārstrādātais izdevums (Direktīva 2012/19/ES) un Direktīva par baterijām un akumulatoriem (Direktīva 2006/66/EK). Iemesls nolietoto elektrisko un elektronisko iekārtu un akumulatoru atdalīšanai no citiem atkritumiem ir mazināt iespējamo apkārtējās vides ietekmi uz cilvēku veselību, ko rada iespējamās bīstamās vielas.

Bīstamo vielu daudzuma samazināšana

Šī ierīce atbilst REACH Regulai (Regula Nr. 1907/2006) un pārstrādātajai RoHS direktīvai (Direktīva 2011/65/ES). Akumulatori (ja ietverti) atbilst Direktīvai par baterijām un akumulatoriem (Direktīva 2006/66/EK). Jaunāko informāciju par atbilstību REACH un RoHS skatiet vietnē <http://consumer.huawei.com/certification>.

Atbilstība ES normatīvajiem aktiem

Lietošana pie ķermeņa

Šī ierīce atbilst RF specifikācijām, kad tā tiek lietota pie auss vai 1,5 cm attālumā no ķermeņa. Pārliedzieties, vai ierīces piederumos, piemēram, ierīces korpusā un ierīces turētājā, nav metāla komponentu. Lai atbilstu attāluma prasībām, turiet ierīci attālāk no ķermeņa.

Sertifikācijas informācija (SAR)

Šī ierīce atbilst radioviļņu iedarbības noteikumiem.

Jūsu ierīce ir zemas jaudas radio raidītājs un uztvērējs. Ievērojot starptautisku noteikumu ieteikumus, šī ierīce ir izstrādāta, lai nepārsniegtu radioviļņu ietekmes ierobežojumus. Šīs vadlīnijas ir izstrādājuši neatkarīgā zinātniskā organizācija Starptautiskā komisija aizsardzībai pret nejonizējošā starojuma iedarbību (International Commission on Non-Ionizing Radiation Protection — ICNIRP), un tajās ir iekļauti piesardzības pasākumi, kas ir izstrādāti, lai nodrošinātu visu lietotāju drošību neatkarīgi no vecuma un veselības stāvokļa. Specifiskās absorbcijas pakāpe (SAR) ir mērvienība, ko izmanto radiofrekvenču enerģijas daudzuma mērīšanai, kādu absorbē ķermenis ierīces lietošanas laikā.

SAR vērtība tiek noteikta ar augstāko sertificēto enerģijas līmeni laboratorijas apstākļos, taču darbības laikā faktiskais SAR līmenis var būt daudz zemāks par šo vērtību. Šo atšķirību izraisa fakts, ka ierīce ir konstruēta tā, lai tā izmantotu minimālo enerģijas līmeni, kāds nepieciešams tīkla sasniegšanai.

SAR ierobežojums, kas pieņemts arī Eiropā, ir 2,0 W/kg vidēji uz 10 gramu audu un lielākā SAR vērtība šai ierīcei atbilst ierobežojumiem.

Augstākā SAR vērtība, par kuru ziņots šim ierīces tipam, pārbaudot pie auss, ir 1,44 W/kg, un, pareizi valkājot pie ķermeņa, ir 0,56 W/kg.

Paziņojums

Ar šo Huawei Technologies Co. Ltd. paziņo, ka šī ierīce atbilst Direktīvas 1999/5/EK un Direktīvas 2011/65/ES pamatprasībām un citiem piemērojamiem nosacījumiem.

Atbilstības deklarāciju skatiet vietnē <http://consumer.huawei.com/certification>. Izstrādājumā ietverti tālāk norādītie apzīmējumi.

CE 0197

Šo ierīci drīkst lietot visās ES dalībvalstīs.

Ievērojiet valsts un vietējos noteikumus paredzētajā ierīces izmantošanas vietā. Atkarībā no vietējiem noteikumiem šīs ierīces izmantošana var būt ierobežota.

Ierobežojumi 2,4 GHz joslā

Norvēģija. Šī apakšsadaļa neattiecas uz ģeogrāfisko apgabalu 20 km rādiusā no Nīolesunna centra.

Atbilstība FCC noteikumiem

Lietošana pie ķermeņa

Šī ierīce atbilst RF specifikācijām, kad tā tiek lietota pie auss vai 1,5 cm attālumā no ķermeņa. Pārliedzieties, vai ierīces piederumos, piemēram, ierīces korpusā un ierīces turētājā, nav metāla komponentu. Lai atbilstu attāluma prasībām, turiet ierīci attālāk no ķermeņa.

Sertifikācijas informācija (SAR)

Šī ierīce konstruēta, lai atbilstu prasībām par pakļaušanu radioviļņu iedarbībai, ko izveidoja Federālā sakaru komisija (ASV).

SAR ierobežojums, kas pieņemts ASV, ir 1,6 W/kg vidēji vairāk par vienu gramu audu. Augstākā šīs ierīces tipa SAR vērtība, par kuru ziņots FCC, atbilst šim ierobežojumam.

Augstākā šīs ierīces tipa SAR vērtība, par kuru ziņots FCC, kad tā ir pārbaudīta lietošanai pie auss, ir 1,18 W/kg un, pareizi valkājot pie ķermeņa, ir 0,87 W/kg, un, lietojot Wi-Fi tīklāja funkciju, ir 1,32 W/Kg.

FCC paziņojums

Šis aprīkojums ir pārbaudīts un atbilst B klases digitālās ierīces ierobežojumiem saskaņā ar FCC noteikumu 15. daļu. Šie ierobežojumi ir izstrādāti pietiekamas aizsardzības nodrošināšanai pret kaitīgiem traucējumiem, lietojot dzīvojamā vidē. Šis aprīkojums rada, izmanto un var izstarot radiofrekvences enerģiju, un, ja tas netiek instalēts un lietots saskaņā ar instrukcijām, var radīt kaitīgus traucējumus radio saziņā. Tomēr nav garantiju, ka traucējumi neradīsies kādā konkrētā uzstādīšanas vietā. Ja tiek konstatēts, ka šis aprīkojums traucē radio vai televīzijas signāla uztveršanu, kas ir viegli noskaidrojams, ieslēdzot un izslēdzot aprīkojumu pie ieslēgta radioaparāta vai televizora, lietotājs var mēģināt korigēt situāciju ar šādiem paņēmieniem:

- pārorientēt vai pārvietot uztvērējantenu;
- palielināt atstatumu starp aprīkojumu un uztvērēju;
- pieslēgt aprīkojumu pie citas elektriskās shēmas kontaktozetas nekā uztvērējs;
- konsultēties ar izplatītāju vai pieredzējušu radio/TV speciālistu, lai saņemtu palīdzību.

Šī ierīce atbilst FCC noteikumu 15. daļas prasībām. Uz tās darbību attiecas šādi divi nosacījumi: (1) šī ierīce nedrīkst radīt kaitīgus traucējumus, un (2) šai ierīcei ir jāuzņem jebkādi uztvertie traucējumi, tai skaitā traucējumi, kas var izraisīt nevēlamu darbību.

Uzmanību! Veicot jebkādas izmaiņas vai modifikācijas, kuras uzņēmums Huawei Technologies Co., Ltd. nav tieši apstiprinājis, var atņemt lietotājam tiesības lietot šo aprīkojumu.

Juridiskais paziņojums

Copyright © Huawei Technologies Co., Ltd. 2015.

Visas tiesības paturētas.

ŠIS DOKUMENTS IR TIKAI ATSAUCEI UN NEIETVER NEKĀDA VEIDA GARANTIJAS.

Konfidencialitātes politika

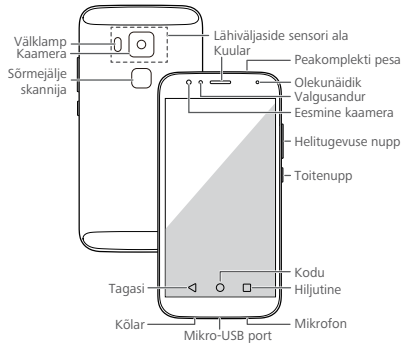
Lai labāk izprastu, kā mēs aizsargājam jūsu personīgo informāciju, skatiet konfidencialitātes politiku šeit: <http://consumer.huawei.com/privacy-policy>.

Telefoni ülevaade

Enne alustamist heitke pilk oma uuele telefonile.

Telefoni sisse ja välja lülitamiseks hoidke toitenuppu allavajutatuna.

- i** Telefoni sundtaaskäivituseks hoidke toitenuppu allavajutatuna kuni telefon korraks vibreerib.

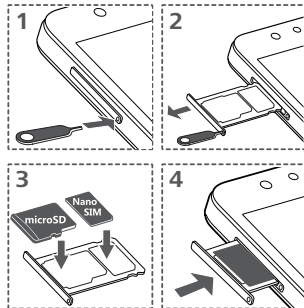


Alustamine

Telefoni seadistamiseks järgige juhiseid alltoodud joonistel. Ärge sisestage ega eemaldage SIM-kaarti, kui telefon on sisse lülitatud.

- ⊘ Olge SIM-kaardi väljutamise tarviku kasutamisel ettevaatlik, et vältida sõrmede või telefoni vigastamist. Hoidke tarvikut lastele kättesaamatuna ohutus kohas, et vältida selle juhuslikku alla neelamist või vigastuste tekitamist.

- ⚠ Sisestage SIM-kaart õigesse kaardipessa, et telefon selle ära tunneks.



Lisateave

Lugege telefoniga kaasasolevat lühijuhendit.

Avage **HiCare**, et lugeda kasutusjuhendit ja teavet hoolduse kohta või saada abi võrgufoorumist.

Minge veebilehele <http://consumer.huawei.com/ee/>, et alla laadida oma seadme kasutusjuhend (koos ohutusteabega) ja lugeda KKK-sid, privaatsuspoliitikat ja saada muud teavet.

Õigusalase teabe lugemiseks avage **Seaded > Täpsemalt telefonist > Juriidiline teave**.

Külastage <http://consumer.huawei.com/en/support/hotline/>, et saada kõige ajakohasemat kontaktteavet oma riigi või piirkonna kohta.

- i** Kõik käesolevas kasutusjuhendis toodud pildid ja illustratsioonid, k.a telefoni värv, suurus ja kuva sisu (loend pole ammendav), on ainult viitamiseks selgituste juures. Tegelik toode võib neist veidi erineda. Mitte midagi selles juhendis toodust ei tohi tõlgendada ei otsese ega kaudse garantiina.

Ohutusteave

Meditsiiniseadmetega seotud häired

- Järgige haiglates ja muudes tervishoiuasutustes kehtestatud reegleid ja eeskirju. Ärge kasutage seadet keelatud kohtades.
- Mõned traadita sideseadmed võivad mõjutada kuuldeaparaatide või südamerütmurite tööd. Lisateabe saamiseks pöörduge oma teenusepakkuja poole.
- Südamerütmurite tootjad soovivad hoida seadet rütmurist vähemalt 15 cm kaugusel, et vältida rütmuri töö võimalikku häirimist. Südamerütmuri kasutamisel hoidke seadet südamerütmuri suhtes vastaspoolel ning ärge kandke seda rinnataskus.

Kuulmisorganite kaitsmine peakomplekti kasutamisel



Võimaliku kuulmiskahjustuse vältimiseks ärge kuulake seadet pikemat aega liiga valjut.

Töökeskond

Seadme optimaalne töötemperatuur on vahemikus 0 °C kuni 35 °C. Optimaalne hoiustamistemperatuur on vahemikus -20 °C kuni 45 °C. Liiga kõrge või madal temperatuur võib seadet ja tarvikuid kahjustada.

Kasutusest kõrvaldamise ja korduvkasutuse teave



Sellel seadmel, akul ja/või pakendil olev sümbol (jämeda triibuga või triibuta) teavitab, et seadet ja selle elektrilisi osi (nt peakomplekt, adapter või juhe) ning akut ei tohi visata olmejäätmete sekka. Neid tooteid ei tohi visata sortimata olmejäätmete hulka ning need tuleb viia taaskäitluseks või hävitamiseks sertifitseeritud kogumispunkti.

Seadme või aku taaskäitlemise kohta täpsema teabe saamiseks pöörduge kohaliku omaavalitsuse, olmejäätmete käitleja või edasimüüja poole.

Seadme ja aku (komplekti kuulumisel) hävitamine toimub vastavalt elektri- ja elektroonikaseadmete jäätmeid käsitlevale direktiivile (2012/19/EL) ja patareidirektiivile (2006/66/EÜ). Elektri- ja elektroonikaromu (WEEE) ning akud

eraldatakse muudest jäätmetest, et minimeerida neis sisalduda võivate ohtlike ainete mõju keskkonnale ja inimeste tervisele.

Ohtlike ainete vähendamine

Seade vastab REACH-määrusele [määrus (EÜ) nr 1907/2006] ja elektri- ja elektroonikaseadmetes teatud ohtlike ainete kasutamise piiramise (RoHS) direktiivile (direktiiv 2011/65/EÜ). Akud (komplekti kuulumisel) vastavad patareidirektiivi nõuetele (direktiiv 2006/66/EÜ). REACH-määruse ning RoHS-i direktiivi nõuetele vastavuse kohta värskema teabe saamiseks minge aadressile <http://consumer.huawei.com/certification>.

Vastavus EL-i normidele

Kehal kandmine

Seade vastab RF-le kehtestatud tehnilistele nõuetele, kui seadet kasutatakse kõrva juures või kehast 1,5 cm kaugusel. Jälgige, et seadme tarvikutel, nt seadme ümbrisel ja hoidekotil, ei oleks metall detaile. Hoidke seade kaugusnõude täitmiseks kehast eemal.

Sertifitseerimisteave (SAR)

Seade vastab raadiolainete kiirgustasemele seatud nõuetele.

Seade on madala võimsusega raadiosaatja ja -vastuvõtja. Kooskõlas rahvusvaheliste juhistega on seade konstrueeritud nii, et see ei ületa raadiolainetega kokkupuute piirväärtusi. Vastavad juhetusmaterjalid, tootas välja sõltumatu teadusorganisatsioon Rahvusvaheline Mitteioniseeriva Kiirguse Eest Kaitsmise Komisjon (ICNIRP) ning need sisaldavad ohutusmeetmeid, mis on ette nähtud kõikide kasutajate ohutuse tagamiseks, olenemata nende vanusest või tervislikust seisundist.

SAR (ehk erineeldumismäär) on mõõtühik seadme kasutamise ajal inimese kehas neelduva raadiosagedusliku kiirguse mõõtmiseks. SAR-i väärtus mõõdetakse laboritingimustes kõrgeima võimsustaseme juures, kuid tegelik SAR-i tase seadme kasutamise ajal võib olla sellest väärtusest oluliselt madalam. Seda seetõttu, et seade on konstrueeritud kasutama väikseimat võrguga ühenduse saamiseks vajalikku võimsust.

Euroopas kehtestatud SAR-i piirväärtus on 2,0 W/kg keskmistatuna 10 g koe kohta ning antud seadme kõrgeim SAR-i väärtus vastab sellele piirmäärale.

Antud seadmetüübi kõrgeim teatatud SAR-i väärtus on kõrva juures katsetamisel 1,44 W/kg ning õigesti keha juures kandes 0,56 W/kg.

Deklaratsioon

Käesolevaga kinnitab Huawei Technologies Co., Ltd. et see seade vastab direktiivi 1999/5/EÜ ja direktiivi 2011/65/EL olulistele nõuetele ja muudele asjakohastele sätetele.

Vastavusdeklaratsiooni leiata veebisaidilt

<http://consumer.huawei.com/certification>.

Seadmel on järgmine tähistus:

CE 0197

Seda seadet võib kasutada kõikides EL-i liikmesriikides.

Järgige seadme kasutamise kohas riiklikke ja kohalikke eeskirju.

Sõltuvalt kohalikest võrgust, võib seadme kasutamine olla keelatud.

Piirangud 2,4 GHz sagedusalas:

Norra: see alamjaotis ei rakendu Ny-Ålesundi keskusest 20 km raadiusesse jäävale geograafilisele alale.

Vastavus FCC eeskirjadele

Kehal kandmine

Seade vastab RF-le kehtestatud tehnilistele nõuetele, kui seadet kasutatakse kõrva juures või kehast 1,5 cm kaugusel. Jälgige, et seadme tarvikutel, nt seadme ümbrisel ja hoidekotil, ei oleks metall detaile. Hoidke seade kaugusnõude täitmiseks kehast eemal.

Sertifitseerimisteave (SAR)

Seade vastab ka USA Föderaalsete Sidekomisjoni (FCC) poolt sätestatud raadiolainetega kokkupuute nõuetele.

USAs kehtestatud SAR-i piirväärtus on 1,6 W/kg keskmistatuna ühe grammi koe kohta. Antud seadmetüübi kõrgeim SAR-i väärtus, millest FCC-le teatatud on, vastab sellele piirmäärale.

Antud seadmetüübi kõrgeim SAR-i väärtus, millest FCC-le teatatud on, on kõrva juures kasutamisel 1,18 W/kg, õigesti kehal kandes 0,87 W/kg ja WiFi-funktsiooni kasutades 1,32 W/Kg.

FCC deklaratsioon

Seda seadet on testitud ning see on kooskõlas B klassi digitaalseadme piirväärtustele vastavalt FCC eeskirjade 15. osale. Need piirväärtused on ette nähtud mõistliku kaitse pakkumiseks koduelektronika poolt põhjustatavate kahjulike häirete eest. Seade tekitab, kasutab ning võib kiirata raadiosageduslikku energiat ning kui seadet ei paigaldata ega kasutata kooskõlas juhistega, võib see põhjustada raadioside segamist. Samas ei saa iga konkreetse paigalduse korral alati garanteerida häirete puudumist. Kui seade segab raadio- või telesignaali vastuvõttu, mida saab kindlaks teha seadet välja ja sisse lülitades, võib kasutaja proovida häireid vältida, kasutades selleks ühte või mitut järgmistest meetmetest.

--Suunake vastuvõtuantenn mujale või asetage teise kohta.

--Suurendage seadme ja vastuvõtja vahekaugust.

--Ühendage seade teise pistikupesasse, mida toidetakse vastuvõtjast erinevast vooluahelast.

--Pidage abi saamiseks nõu edasimüüja või kogenud raadio-/teletehnikuga. Seade vastab FCC eeskirjade 15. osale. Seadme töö peab vastama kahele tingimusele: (1) seade ei tohi põhjustada häireid ja (2) seade ei tohi vastu võtta häireid, sh häireid, mis võivad põhjustada seadme töötamist soovimatul viisil.

Ettevaatust! Seadme mis tahes muudatused või modifitseerimised, mida pole Huawei Technologies Co, Ltd selgesõnaliselt lubanud, võivad tühistada kasutaja õiguse seadme kasutamiseks.

Juriidiline märkus

Copyright © Huawei Technologies Co., Ltd. 2015. Kõik õigused on kaitstud.

KÄESOLEV DOKUMENT ON AINULT TEABELISE ISELOOMUGA EGA SISALDA MINGEID GARANTIISID.

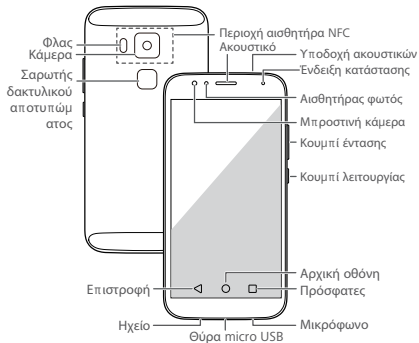
Privaatsuseeskiri

Kui soovite teada täpsemalt, kuidas me teie isikuandmeid kaitseme, lugege meie privaatsuseeskirja aadressil <http://consumer.huawei.com/privacy-policy>.

Το τηλέφωνό σας με μια ματιά

Πριν ξεκινήσετε, ας ρίξουμε μια ματιά στο καινούργιο σας τηλέφωνο. Πατήστε παρατεταμένα το κουμπί λειτουργίας για να ενεργοποιήσετε ή να απενεργοποιήσετε το τηλέφωνό σας.

- i** Για αναγκαστική επανεκκίνηση του τηλεφώνου σας, πατήστε παρατεταμένα το κουμπί λειτουργίας, μέχρι το τηλέφωνο να αρχίσει να δονείται.

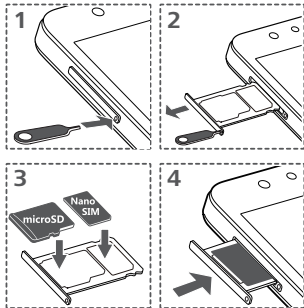


Έναρξη

Ακολουθήστε τις οδηγίες στις παρακάτω εικόνες για να ρυθμίσετε το τηλέφωνό σας. Μην τοποθετείτε ή αφαιρείτε την κάρτα SIM όταν το τηλέφωνό σας είναι ενεργοποιημένο.

⊘ Δώστε ιδιαίτερη προσοχή κατά τη χρήση της καρφίτσας εξαγωγής SIM για την αποφυγή τραυματισμού των δαχτύλων σας ή πρόκλησης βλάβης στο τηλέφωνο. Αποθηκεύστε την καρφίτσα σε ασφαλές σημείο μακριά από παιδιά, ώστε να αποκλείεται το ενδεχόμενο να την καταπιούν ή να τραυματιστούν κατά λάθος.

⚠ Τοποθετήστε την κάρτα SIM στη σωστή υποδοχή κάρτας για να διασφαλίσετε την αναγνώρισή της από το τηλέφωνο.



Για περισσότερες πληροφορίες


Ανατρέξτε στον Οδηγό γρήγορης εκκίνησης της συσκευής σας. Ανοίξτε το **HiCare** για να διαβάσετε το εγχειρίδιο χρήσης και τις πληροφορίες εξυπηρέτησης ή για να λάβετε βοήθεια από το διαδικτυακό φόρουμ.

Μεταβείτε στη διεύθυνση <http://consumer.huawei.com/en/> για να λάβετε το εγχειρίδιο χρήσης της συσκευής σας (συμπεριλαμβανομένων των πληροφοριών ασφάλειας) και να διαβάσετε τις συχνές ερωτήσεις, την πολιτική απορρήτου και άλλες πληροφορίες.

Μεταβείτε στις **Ρυθμίσεις > Σχετικά με το τηλέφωνο > Νομικές πληροφορίες** για να διαβάσετε τις νομικές πληροφορίες.

Επισκεφτείτε τη διεύθυνση

<http://consumer.huawei.com/en/support/hotline/> για τα ενημερωμένα στοιχεία επικοινωνίας για τη χώρα ή την περιοχή σας.

 Όλες οι εικόνες και τα σχέδια του παρόντος εγχειριδίου, συμπεριλαμβανομένου ενδεικτικά του χρώματος του τηλεφώνου, του

μεγέθους και του περιεχομένου της οθόνης, είναι μόνο για αναφορά. Το πραγματικό προϊόν μπορεί να διαφέρει. Κανένα μέρος του παρόντος εγχειριδίου δεν αποτελεί εγγύηση κανενός είδους, είτε ρητή είτε σιωπηρή.

Πληροφορίες ασφαλείας

Αυτή η ενότητα περιλαμβάνει σημαντικές πληροφορίες που αφορούν στις οδηγίες λειτουργίας της συσκευής σας. Επίσης, περιλαμβάνει πληροφορίες σχετικά με τον τρόπο ασφαλούς χρήσης της συσκευής. Διαβάστε προσεκτικά αυτές τις πληροφορίες πριν από τη χρήση της συσκευής.

Ηλεκτρονική συσκευή

Μη χρησιμοποιείτε τη συσκευή, αν απαγορεύεται η χρήση της. Μη χρησιμοποιείτε τη συσκευή, αν η χρήση της ενέχει κίνδυνο ή προκαλεί παρεμβολές σε ηλεκτρονικές συσκευές.

Παρεμβολή σε ιατρικό εξοπλισμό

- Συμβουλευτείτε το γιατρό σας και τον κατασκευαστή της συσκευής για να προσδιορίσετε αν η λειτουργία του τηλεφώνου σας ενδέχεται να προκαλεί παρεμβολές στη λειτουργία της ιατρικής συσκευής σας.
- Τηρείτε τους κανόνες και τους κανονισμούς που ορίζονται από τα νοσοκομεία και τις εγκαταστάσεις ιατρικής περίθαλψης. Μη χρησιμοποιείτε τη συσκευή σας σε μέρη όπου απαγορεύεται η χρήση της.
- Ορισμένες ασύρματες συσκευές ενδέχεται να επηρεάσουν τη λειτουργία ακουστικών βοηθημάτων ή βηματοδοτών. Συμβουλευτείτε το φορέα παροχής της υπηρεσίας σας για περισσότερες πληροφορίες.
- Οι κατασκευαστές βηματοδοτών συνιστούν να τηρείται ελάχιστη απόσταση 15 cm μεταξύ μιας συσκευής και ενός βηματοδότη, ώστε να αποφεύγονται πιθανές παρεμβολές με το βηματοδότη. Εάν χρησιμοποιείτε βηματοδότη, τοποθετήστε τη συσκευή στην αντίθετη

πλευρά από εκείνη του βηματοδότη και μην την τοποθετείτε στη μπροστινή σας τσέπη.

Προστασία της ακοής σας, όταν χρησιμοποιείτε ακουστικά



- Για την αποφυγή ενδεχόμενης βλάβης της ακοής, αποφύγετε την ακρόαση σε υψηλά επίπεδα έντασης για παρατεταμένο χρονικό διάστημα.
- Η χρήση ακουστικών σε υψηλή ένταση μπορεί να προκαλέσει βλάβη της ακοής σας. Για τη μείωση αυτού του κινδύνου, μειώστε την ένταση των ακουστικών σας σε ένα ασφαλές και άνετο επίπεδο.
- Η έκθεση σε υψηλές εντάσεις, ενώ οδηγείτε, μπορεί να προκαλέσει διάσπαση προσοχής και αύξηση του κινδύνου ατυχήματος.

Δυνητικώς εκρηκτική ατμόσφαιρα

Απενεργοποιήστε τη συσκευή σας σε οποιαδήποτε περιοχή με δυνητικώς εκρηκτική ατμόσφαιρα και συμμορφωθείτε με όλα τα σήματα και τις οδηγίες. Περιοχές που μπορεί να έχουν δυνητικώς εκρηκτική ατμόσφαιρα είναι οι περιοχές όπου κανονικά θα είχατε οδηγία να σβήσετε τον κινητήρα του οχήματός σας. Η πυροδότηση σπιθών σε τέτοιου είδους περιοχές μπορεί να προκαλέσει έκρηξη ή πυρκαγιά, γεγονός που έχει ως αποτέλεσμα τον τραυματισμό ή ακόμα και το θάνατο. Μην ενεργοποιείτε τη συσκευή σας σε σημεία ανεφοδιασμού καυσίμων, όπως τα πρατήρια βενζίνης. Συμμορφωθείτε με τους περιορισμούς σχετικά με τη χρήση ασύρματου εξοπλισμού σε δεξαμενές, περιοχές αποθήκευσης και διανομής καυσίμων, καθώς και σε εργοστάσια χημικών. Επίσης, τηρείτε τους περιορισμούς σε περιοχές όπου διεξάγονται εργασίες εξόρυξης. Πριν από τη χρήση της συσκευής, προσέξτε για περιοχές που έχουν δυνητικώς εκρηκτική ατμόσφαιρα οι οποίες συχνά, αλλά όχι πάντα, φέρουν σαφή σήμανση. Τέτοιου είδους περιοχές είναι κάτω από το κατάστρωμα πλοίων, εγκαταστάσεις μεταφοράς ή αποθήκευσης χημικών, και περιοχές όπου ο

αέρας περιέχει χημικά ή σωματίδια όπως κόκκους, σκόνη ή κονιάματα μετάλλων. Ζητήστε από τους κατασκευαστές οχημάτων που χρησιμοποιούν υγραέριο (όπως προπάνιο ή βουτάνιο) αν αυτή η συσκευή μπορεί να χρησιμοποιηθεί με ασφάλεια σε κοντινή απόσταση από αυτά τα οχήματα.

Ασφάλεια κυκλοφορίας

- Κατά τη χρήση της συσκευής, οφείλετε να τηρείτε τους τοπικούς νόμους και κανονισμούς. Για την αποφυγή ατυχημάτων, μην χρησιμοποιείτε την ασύρματη συσκευή ενώ οδηγείτε.
- Συγκεντρωθείτε στην οδήγηση. Η πρώτη σας ευθύνη είναι η ασφαλής οδήγηση.
- Μην κρατάτε τη συσκευή κατά τη διάρκεια της οδήγησης. Χρησιμοποιείτε εξαρτήματα ανοικτής συνομιλίας.
- Όταν πρέπει να πραγματοποιήσετε μια κλήση ή να απαντήσετε σε μια κλήση, σταματήστε στην άκρη του δρόμου και παρκάρετε πρώτα το αυτοκίνητο.

- Τα σήματα ραδιοσυχνοτήτων μπορεί να επηρεάσουν τα ηλεκτρονικά συστήματα των οχημάτων. Για περισσότερες πληροφορίες, συμβουλευθείτε τον κατασκευαστή του οχήματος.
- Μέσα στο όχημα, μην τοποθετείτε τη συσκευή πάνω από τον αερόσακο ή στην περιοχή ανοίγματος του αερόσακου. Αυτό μπορεί να σας τραυματίσει λόγω της ισχυρής ισχύος που ασκείται όταν φουσκώνει ο αερόσακος.
- Μη χρησιμοποιείτε τη συσκευή κατά τη διάρκεια αεροπορικών ταξιδιών ή αμέσως μετά την επιβίβαση. Η χρήση ασύρματων συσκευών σε έναν αεροσκάφος ενδέχεται να διαταράξει τα ασύρματα δίκτυα, να δημιουργήσει κίνδυνο στη λειτουργία του αεροσκάφους ή να είναι παράνομη.

Περιβάλλον λειτουργίας

- Αποφύγετε τα σκονισμένα, υγρά ή βρώμικα περιβάλλοντα. Αποφύγετε τα μαγνητικά πεδία. Η χρήση της συσκευής σε αυτά τα περιβάλλοντα ενδέχεται να οδηγήσει σε δυσλειτουργίες κυκλώματος.

- Μη χρησιμοποιείτε τη συσκευή σας σε καταιγίδες, για να προστατέψετε τη συσκευή σας από οποιονδήποτε κίνδυνο που προκαλείται από κεραυνούς.
- Οι ιδανικές θερμοκρασίες λειτουργίας είναι 0 °C έως 35 °C. Οι ιδανικές θερμοκρασίες αποθήκευσης είναι -20 °C έως 45 °C. Η υπερβολική ζέστη ή το υπερβολικό κρύο μπορεί να καταστρέψουν τη συσκευή ή τα εξαρτήματά σας.
- Μην εκθέτετε τη συσκευή σας στο ηλιακό φως (όπως στο ταμπλό του αυτοκινήτου) για εκτεταμένες περιόδους.
- Για να προστατέψετε τη συσκευή ή τα εξαρτήματά σας από τον κίνδυνο πυρκαγιάς ή ηλεκτροπληξίας, αποφύγετε τη βροχή και την υγρασία.
- Διατηρήστε τη συσκευή μακριά από πηγές θερμότητας και φωτιάς, όπως καλοριφέρ, φούρνοι μικροκυμάτων, φούρνοι, βραστήρες, σόμπες ή κεριά.

- Μην τοποθετείτε αιχμηρά μεταλλικά αντικείμενα, όπως καρφίτσες, κοντά στο ακουστικό ή στο ηχείο. Το ακουστικό ενδέχεται να προσελκύσει αυτά τα αντικείμενα και να οδηγήσει σε τραυματισμό.
- Σταματήστε τη χρήση της συσκευής ή των εφαρμογών σας για λίγο, αν υπερθερμανθεί η συσκευή σας. Αν το δέρμα σας εκτεθεί σε μια συσκευή που έχει υπερθερμανθεί για εκτεταμένο χρονικό διάστημα, ενδέχεται να παρουσιαστούν συμπτώματα εγκαυμάτων από χαμηλή θερμοκρασία, όπως κόκκινα σημάδια και σκούρα χρωμάτωση.
- Μη χρησιμοποιείτε το φλας της κάμερας της συσκευής σας απευθείας στα μάτια ατόμων ή κατοικίδιων. Διαφορετικά, ενδέχεται να παρουσιαστεί προσωρινή απώλεια της όρασης ή βλάβη στα μάτια.
- Μην αγγίζετε την κεραία της συσκευής. Διαφορετικά, η ποιότητα της επικοινωνίας ενδέχεται να μειωθεί.
- Μην επιτρέπετε σε παιδιά ή σε κατοικίδια να δαγκώνουν ή να πιπιλίζουν τη συσκευή ή τα εξαρτήματα. Αυτό μπορεί να οδηγήσει σε φθορά ή σε έκρηξη.

- Να τηρείτε τους τοπικούς νόμους και κανονισμούς και να σέβεστε το απόρρητο και τα νομικά δικαιώματα των άλλων.

Ασφάλεια των παιδιών

- Οφείλετε να συμμορφώνεστε με όλες τις προφυλάξεις που αφορούν στην ασφάλεια των παιδιών. Το να αφήνετε τα παιδιά να παίζουν με τη συσκευή ή τα εξαρτήματά της μπορεί να είναι επικίνδυνο. Η συσκευή περιλαμβάνει αποσπώμενα μέρη που ενέχουν κίνδυνο πνιγμού. Να διατηρούνται μακριά από παιδιά.
- Η συσκευή και τα εξαρτήματά της δεν προορίζονται για χρήση από παιδιά. Τα παιδιά πρέπει να χρησιμοποιούν τη συσκευή μόνο υπό την επίβλεψη ενηλίκων.

Εξαρτήματα

- Η χρήση μη εγκεκριμένου ή ασύμβατου προσαρμογέα ρεύματος, φορτιστή ή μπαταρίας ενδέχεται να προκαλέσει φωτιά, έκρηξη ή άλλους κινδύνους.

- Επιλέξτε αποκλειστικά εξαρτήματα τα οποία έχουν εγκριθεί για χρήση με αυτό το μοντέλο από τον κατασκευαστή της συσκευής. Η χρήση άλλων τύπων εξαρτημάτων ενδέχεται να ακυρώσει την εγγύηση, να παραβιάσει τους τοπικούς κανονισμούς και νόμους και να καταστεί επικίνδυνη. Επικοινωνήστε με τον αντιπρόσωπο για πληροφορίες σχετικά με τη διαθεσιμότητα εγκεκριμένων εξαρτημάτων στην περιοχή σας.

Ασφάλεια φορτιστή

- Για συνδεδεμένες συσκευές, η πρίζα πρέπει να είναι τοποθετημένη κοντά στις συσκευές και να είναι εύκολα προσβάσιμη.
- Αποσυνδέετε το φορτιστή από την πρίζα και τη συσκευή, όταν δεν χρησιμοποιείται.
- Μην ρίχνετε κάτω ή χτυπάτε το φορτιστή.
- Εάν το καλώδιο ρεύματος υποστεί ζημιά (για παράδειγμα, το εσωτερικό του είναι εκτεθειμένο ή σπασμένο) ή είναι χαλαρό το βύσμα, διακόψτε

αμέσως τη χρήση του. Η συνεχιζόμενη χρήση ενδέχεται να οδηγήσει σε ηλεκτροπληξία, βραχυκύκλωμα ή πυρκαγιά.

- Μην αγγίζετε το καλώδιο τροφοδοσίας με βρεγμένα χέρια και μην τραβάτε το καλώδιο τροφοδοσίας, για να αποσυνδέσετε το φορτιστή.
- Μην αγγίζετε τη συσκευή ή το φορτιστή με βρεγμένα χέρια. Αυτό μπορεί να οδηγήσει σε κλειστά κυκλώματα, δυσλειτουργίες ή ηλεκτροπληξία.
- Αν ο φορτιστής σας έχει εκτεθεί σε νερό ή σε άλλα υγρά ή σε εκτεταμένη υγρασία, πηγαίνετέ τον σε ένα εξουσιοδοτημένο κέντρο εξυπηρέτησης πελατών για επιθεώρηση.
- Βεβαιωθείτε ότι ο φορτιστής πληροί τις απαιτήσεις του Όρου 2.5 του προτύπου IEC60950-1/EN60950-1/UL60950-1 και ότι έχει δοκιμαστεί και εγκριθεί σύμφωνα με τα εθνικά ή τοπικά πρότυπα.
- Συνδέστε τη συσκευή μόνο σε προϊόντα που φέρουν το λογότυπο USB-IF ή που έχουν ολοκληρώσει το πρόγραμμα συμμόρφωσης USB-IF.

Ασφάλεια μπαταρίας

- Μην συνδέετε τους πόλους της μπαταρίας με αγωγούς, όπως κλειδιά, κοσμήματα ή άλλα μεταλλικά υλικά. Αυτό μπορεί να βραχυκυκλώσει την μπαταρία και να προκαλέσει τραυματισμούς ή εγκαύματα.
- Διατηρήστε την μπαταρία μακριά από την υπερβολική ζέστη και το ηλιακό φως. Μην την τοποθετείτε πάνω ή μέσα σε θερμαινόμενες συσκευές, όπως φούρνους μικροκυμάτων, φούρνους ή καλοριφέρ. Οι μπαταρίες μπορούν να εκραγούν, αν υπερθερμανθούν.
- Μην επιχειρήσετε να τροποποιήσετε ή να ανακατασκευάσετε την μπαταρία, να τοποθετήσετε ξένα αντικείμενα σε αυτήν ή να τη βυθίσετε ή να την εκθέσετε στο νερό ή σε άλλα υγρά. Αυτό μπορεί να οδηγήσει σε πυρκαγιά, έκρηξη ή σε άλλους κινδύνους.
- Αν παρουσιαστούν διαρροές στην μπαταρία, διασφαλίστε ότι ο ηλεκτρολύτης δεν θα έρθει σε άμεση επαφή με το δέρμα ή τα μάτια σας. Αν ο ηλεκτρολύτης έρθει σε επαφή με το δέρμα ή τα μάτια σας, ξεπλύνετε αμέσως με καθαρό νερό και συμβουλευθείτε γιατρό.
- Στην περίπτωση παραμόρφωσης της μπαταρίας, αλλαγής χρώματος ή υπερθέρμανσης κατά τη φόρτιση ή την αποθήκευση, διακόψτε αμέσως τη χρήση της συσκευής και αφαιρέστε την μπαταρία. Η συνεχιζόμενη χρήση ενδέχεται να οδηγήσει σε διαρροή της μπαταρίας, πυρκαγιά ή έκρηξη.
- Μην απορρίπτετε τις μπαταρίες στη φωτιά, καθώς υπάρχει κίνδυνος έκρηξης. Οι κατεστραμμένες μπαταρίες μπορούν επίσης να εκραγούν.
- Απορρίψτε τις χρησιμοποιημένες μπαταρίες σύμφωνα με τους τοπικούς κανονισμούς. Η χρήση ακατάλληλων μπαταριών μπορεί να οδηγήσει σε πυρκαγιά, έκρηξη ή σε άλλους κινδύνους.
- Μην επιτρέπετε σε παιδιά ή σε κατοικίδια να δαγκώνουν ή να πιπιλίζουν την μπαταρία. Αυτό μπορεί να οδηγήσει σε φθορά ή σε έκρηξη.
- Μην χτυπάτε ή τρυπάτε την μπαταρία και μην την εκθέτετε σε υψηλή εξωτερική πίεση. Αυτό μπορεί να οδηγήσει σε βραχυκύκλωμα ή σε υπερθέρμανση.

- Μην ρίχνετε κάτω τη συσκευή ή την μπαταρία. Αν η συσκευή ή η μπαταρία πέσει, ιδιαίτερα σε μια σκληρή επιφάνεια, μπορεί να καταστραφεί.
- Αν ο χρόνος αναμονής της μπαταρίας μειωθεί σημαντικά, αντικαταστήστε την μπαταρία.
- Η συσκευή έχει μια ενσωματωμένη μπαταρία που δεν μπορεί να αφαιρεθεί. Μην επιχειρήσετε να αφαιρέσετε την μπαταρία, διαφορετικά η συσκευή μπορεί να καταστραφεί. Για να αντικαταστήσετε την μπαταρία, πηγαίνετε τη συσκευή σε ένα εξουσιοδοτημένο κέντρο εξυπηρέτησης πελατών.

Καθαρισμός και συντήρηση

- Διατηρήστε τη συσκευή και τα εξαρτήματα στεγνά. Μην επιχειρήσετε να τα στεγνώσετε με μια πηγή εξωτερικής θερμότητας, όπως φούρνος μικροκυμάτων ή σεσουάρ μαλλιών.

- Μην εκθέτετε τη συσκευή ή τα εξαρτήματα σε υπερβολική ζέστη ή υπερβολικό κρύο. Αυτά τα περιβάλλοντα ενδέχεται να επηρεάσουν τη σωστή λειτουργία και να προκαλέσουν πυρκαγιά ή έκρηξη.
- Αποφύγετε σύγκρουση η οποία ενδέχεται να προκαλέσει δυσλειτουργίες της συσκευής, υπερθέρμανση, φωτιά ή έκρηξη.
- Πριν καθαρίσετε ή συντηρήσετε τη συσκευή, σταματήστε να τη χρησιμοποιείτε, τερματίστε όλες τις εφαρμογές και αποσυνδέστε όλα τα καλώδια που συνδέονται σε αυτήν.
- Μη χρησιμοποιείτε χημικά καθαριστικά, σκόνη ή άλλα χημικά μέσα (όπως οινόπνευμα και βενζίνη) για τον καθαρισμό της συσκευής ή των εξαρτημάτων της. Αυτές οι ουσίες μπορεί να προκαλέσουν φθορές στα εξαρτήματα ή να αποτελέσουν κίνδυνο πυρκαγιάς. Χρησιμοποιήστε ένα καθαρό, μαλακό και στεγνό πανί για να καθαρίσετε το περίβλημα της συσκευής και τα εξαρτήματα.

- Μην τοποθετείτε κάρτες μαγνητικών ταινιών, όπως πιστωτικές κάρτες και τηλεφωνικές κάρτες κοντά στη συσκευή για εκτεταμένες χρονικές περιόδους. Διαφορετικά, ενδέχεται να προκληθούν φθορές στις κάρτες μαγνητικών ταινιών .
- Μην αποσυναρμολογείτε ή ανακατασκευάζετε τη συσκευή και τα εξαρτήματά της. Αυτό ακυρώνει την εγγύηση και αποδεδειγμένα τον κατασκευαστή από οποιαδήποτε ευθύνη αποζημίωσης. Σε περίπτωση βλάβης, επικοινωνήστε με ένα εξουσιοδοτημένο κέντρο εξυπηρέτησης πελατών για βοήθεια ή επιδιόρθωση.
- Αν η οθόνη της συσκευής σπάσει μετά από σύγκρουση, διακόψτε αμέσως τη χρήση της συσκευής. Μην αγγίξετε ή επιχειρήσετε να αφαιρέσετε τα σπασμένα μέρη. Επικοινωνήστε έγκαιρα με ένα εξουσιοδοτημένο κέντρο εξυπηρέτησης πελατών.

Κλήσεις έκτακτης ανάγκης

Η διαθεσιμότητα κλήσεων έκτακτης ανάγκης υπόκειται στην ποιότητα του δικτύου για κινητά, την πολιτική του φορέα παροχής της υπηρεσίας και σε

τοπικούς νόμους και κανονισμούς. Ποτέ να μην βασίζεστε αποκλειστικά στη συσκευή σας για επικοινωνία κρίσιμης σημασίας, όταν προκύπτει έκτακτη ανάγκη.

Πληροφορίες για την απόρριψη και την ανακύκλωση



Αυτό το σύμβολο (με ή χωρίς τη συμπαγή γραμμή) στη συσκευή, τις μπαταρίες (εφόσον συμπεριλαμβάνονται) ή/και τη συσκευασία υποδεικνύει ότι η συσκευή και τα ηλεκτρικά της εξαρτήματα (για παράδειγμα, τα ακουστικά, ο φορτιστής ή το καλώδιο) και οι μπαταρίες δεν θα πρέπει να απορρίπτονται ως οικιακά σκουπίδια. Αυτά τα στοιχεία δεν θα πρέπει να απορρίπτονται ως αταξινόμητα δημοτικά απορρίμματα και θα πρέπει να μεταφέρονται σε ένα πιστοποιημένο σημείο συλλογής για ανακύκλωση ή για κατάλληλη απόρριψη. Για πιο λεπτομερείς πληροφορίες σχετικά με την ανακύκλωση της συσκευής ή της μπαταρίας, επικοινωνήστε με τον τοπικό σας δήμο, την υπηρεσία απόρριψης οικιακών σκουπιδιών ή το κατάστημα λιανικής.

Η απόρριψη της συσκευής και των μπαταριών (εφόσον συμπεριλαμβάνονται) υπόκειται στην Αναδιατυπωμένη Οδηγία ΑΗΗΕ (Οδηγία 2012/19/ΕΕ) και στην Οδηγία Μπαταριών (Οδηγία 2006/66/ΕΚ). Ο σκοπός διαχωρισμού των αποβλήτων ηλεκτρικού και ηλεκτρονικού εξοπλισμού (ΑΗΗΕ) και των μπαταριών από τα υπόλοιπα απορρίμματα είναι η ελαχιστοποίηση των πιθανών περιβαλλοντικών επιπτώσεων και των κινδύνων για την ανθρώπινη υγεία από την ενδεχόμενη παρουσία επικίνδυνων ουσιών.

Μείωση των επικίνδυνων ουσιών

Αυτή η συσκευή συμμορφώνεται προς τον Κανονισμό REACH [Κανονισμός (ΕΚ) Αρ. 1907/2006] και την Ενημερωμένη Οδηγία RoHS (Οδηγία 2011/65/ΕΕ). Οι μπαταρίες (εφόσον περιλαμβάνονται) συμμορφώνονται προς την Οδηγία Μπαταριών (Οδηγία 2006/66/ΕΚ). Για ενημερωμένες πληροφορίες σχετικά με τη συμμόρφωση REACH και RoHS, επισκεφθείτε τον ιστότοπο <http://consumer.huawei.com/certification>.

Συμμόρφωση με τους κανόνες της ΕΕ

Λειτουργία συσκευής φερόμενης στο σώμα

Η συσκευή συμμορφώνεται προς τις προδιαγραφές περί ραδιοσυχνοτήτων, όταν χρησιμοποιείται κοντά στο αυτί σας ή σε απόσταση 1,5 cm από το σώμα σας. Βεβαιωθείτε ότι τα εξαρτήματα της συσκευής, όπως το περίβλημα και η θήκη συσκευής, δεν περιλαμβάνουν μεταλλικά στοιχεία. Διατηρήστε τη συσκευή μακριά από το σώμα σας για να ικανοποιείται η απαίτηση της απόστασης.

Πληροφορίες πιστοποίησης (SAR)

Αυτή η συσκευή πληροί τις οδηγίες για έκθεση σε ραδιοκύματα. Η συσκευή σας είναι πομπός και δέκτης χαμηλών επιπέδων ενέργειας ραδιοσυχνοτήτων. Όπως συνιστάται από τις διεθνείς οδηγίες, η συσκευή έχει σχεδιαστεί έτσι ώστε να μην υπερβαίνει τα όρια έκθεσης σε ραδιοκύματα. Αυτές οι οδηγίες έχουν συνταχθεί από τον ανεξάρτητο επιστημονικό οργανισμό ICNIRP (International Commission on Non-Ionizing Radiation Protection - Διεθνής Επιτροπή Προστασίας από Μη Ιονίζουσες Ακτινοβολίες) και περιλαμβάνουν μέτρα ασφαλείας τα οποία

σχεδιάστηκαν για τη διασφάλιση της ασφάλειας όλων των χρηστών, ανεξαρτήτως ηλικίας και υγείας.

Ο Ειδικός Ρυθμός Απορρόφησης (SAR) είναι ένας δείκτης για τη μέτρηση της ποσότητας ενέργειας ραδιοσυχνοτήτων που απορροφάται από το ανθρώπινο σώμα κατά τη χρήση μιας συσκευής. Η τιμή του SAR ορίζεται με βάση το υψηλότερο επίπεδο ισχύος που έχει διαπιστωθεί σε συνθήκες εργαστηρίου, αλλά το πραγματικό επίπεδο του SAR κατά τη λειτουργία μπορεί να είναι αρκετά χαμηλότερο από αυτήν την τιμή. Αυτό συμβαίνει επειδή η συσκευή έχει σχεδιαστεί έτσι ώστε να χρησιμοποιεί την ελάχιστη ισχύ που απαιτείται για πρόσβαση στο δίκτυο.

Το όριο του SAR που υιοθετείται από την Ευρώπη, είναι 2,0 W/kg κατά μέσο όρο ανά 10 γραμμάρια ιστού και η υψηλότερη τιμή SAR για αυτήν τη συσκευή συμμορφώνεται προς αυτό το όριο.

Η υψηλότερη τιμή του SAR για το συγκεκριμένο τύπο συσκευής που έχει υποβληθεί σε δοκιμές στο αυτί είναι 1,44 W/kg και για λειτουργία με τη συσκευή φερόμενη στο σώμα είναι 0,56 W/kg.

Δήλωση

Δια του παρόντος, η Huawei Technologies Co., Ltd. δηλώνει ότι η συγκεκριμένη συσκευή πληροί τις βασικές απαιτήσεις και άλλες σχετικές διατάξεις της Οδηγίας 1999/5/EK και της Οδηγίας 2011/65/EE.

Για να δείτε τη δήλωση συμμόρφωσης, επισκεφθείτε τον ιστότοπο <http://consumer.huawei.com/certification>.

Η παρακάτω επισήμανση περιλαμβάνεται στο προϊόν:

CE 0197

Η συγκεκριμένη συσκευή μπορεί να χρησιμοποιηθεί σε όλα τα κράτη μέλη της ΕΕ.

Να τηρούνται οι εθνικοί και τοπικοί κανονισμοί των περιοχών όπου χρησιμοποιείται η συσκευή.

Αυτή η συσκευή μπορεί να υπόκειται σε περιορισμούς χρήσης, ανάλογα με το τοπικό δίκτυο.

Περιορισμοί στη ζώνη 2,4 GHz:

Νορβηγία: Αυτή η υποενοότητα δεν ισχύει για τη γεωγραφική περιοχή εντός ακτίνας 20 χλμ. από το κέντρο του Ny-Ålesund.

Συμμόρφωση κανονισμού FCC

Λειτουργία συσκευής φερόμενης στο σώμα

Η συσκευή συμμορφώνεται προς τις προδιαγραφές περί ραδιοσυχνοτήτων, όταν χρησιμοποιείται κοντά στο αυτί σας ή σε απόσταση 1,5 cm από το σώμα σας. Βεβαιωθείτε ότι τα εξαρτήματα της συσκευής, όπως το περίβλημα και η θήκη συσκευής, δεν περιλαμβάνουν μεταλλικά στοιχεία. Διατηρήστε τη συσκευή μακριά από το σώμα σας για να ικανοποιείται η απαίτηση της απόστασης.

Πληροφορίες πιστοποίησης (SAR)

Αυτή η συσκευή έχει σχεδιαστεί επίσης ώστε να πληροί τις απαιτήσεις για έκθεση σε ραδιοκύματα που τέθηκε από την Ομοσπονδιακή Επιτροπή Επικοινωνιών (Federal Communications Commission - Η.Π.Α.).

Επίσης, το όριο του SAR που υιοθετείται από την Ευρώπη, είναι 1,6 W/kg κατά μέσο όρο ανά ένα γραμμάριο ιστού. Η υψηλότερη τιμή SAR που αναφέρθηκε στην FCC για το συγκεκριμένο τύπο συσκευής συμμορφώνεται με αυτό το όριο.

Η υψηλότερη τιμή SAR που αναφέρθηκε στην FCC για το συγκεκριμένο τύπο συσκευής, όταν χρησιμοποιείται στο αυτί είναι 1,18 W/kg και για λειτουργία με τη συσκευή φερόμενη στο σώμα είναι 0,87 W/kg και όταν χρησιμοποιείται η λειτουργία σημείου πρόσβασης Wi-Fi είναι 1,32 W/Kg.

Δήλωση FCC

Αυτός ο εξοπλισμός έχει δοκιμαστεί και διαπιστώθηκε ότι συμμορφώνεται με τα όρια ψηφιακής συσκευής Κλάσης Β, σύμφωνα με το Μέρος 15 των Κανόνων FCC. Τα όρια αυτά έχουν σχεδιαστεί για να παρέχουν εύλογη προστασία από τις επιβλαβείς παρεμβολές σε εγκαταστάσεις κατοικιών. Αυτός ο εξοπλισμός παράγει, χρησιμοποιεί και μπορεί να εκπέμπει ενέργεια ραδιοσυχνοτήτων και, αν δεν είναι εγκατεστημένος και δεν χρησιμοποιείται σύμφωνα με τις οδηγίες, μπορεί να προκαλέσει επιβλαβείς παρεμβολές στις ραδιοφωνικές επικοινωνίες. Ωστόσο, δεν

παρέχεται καμία εγγύηση ότι δεν θα υπάρξουν παρεμβολές σε μια συγκεκριμένη εγκατάσταση. Εάν αυτή η συσκευή πράγματι προκαλεί επιζήμιες παρεμβολές στη ραδιοφωνική ή τηλεοπτική λήψη, κάτι το οποίο μπορεί να προσδιοριστεί ενεργοποιώντας και απενεργοποιώντας τη συσκευή, ο χρήστης μπορεί να προσπαθήσει να διορθώσει τις παρεμβολές λαμβάνοντας ένα ή περισσότερα από τα ακόλουθα μέτρα:

- Αλλάζοντας τον προσανατολισμό ή μετακινώντας την κεραία λήψης.
- Αυξάνοντας την απόσταση που χωρίζει τον εξοπλισμό από το δέκτη.
- Συνδέοντας τον εξοπλισμό σε διαφορετική πρίζα ή κύκλωμα σε σύγκριση με το δέκτη.
- Συμβουλευόμενος τον αντιπρόσωπο ή έναν έμπειρο τεχνικό ραδιοφώνου/τηλεόρασης για βοήθεια.

Αυτή η συσκευή συμμορφώνεται με το Τμήμα 15 των Κανόνων FCC. Η λειτουργία υπόκειται στις δύο ακόλουθες προϋποθέσεις: (1) αυτή η συσκευή δεν πρέπει να προκαλεί επιβλαβείς παρεμβολές και (2) αυτή η συσκευή θα πρέπει να δέχεται οποιαδήποτε παρεμβολή λαμβάνεται, συμπεριλαμβανομένων των παρεμβολών που μπορεί να προκαλέσουν ανεπιθύμητη λειτουργία.

Προσοχή: Τυχόν αλλαγές ή τροποποιήσεις σε αυτήν τη συσκευή που δεν έχουν εγκριθεί ρητά από τη Huawei Technologies Co., Ltd. για συμμόρφωση μπορούν να ακυρώσουν την εξουσιοδότηση του χρήστη για τη χρήση του εξοπλισμού.

Νομική σημείωση

Πνευματικά δικαιώματα © Huawei Technologies Co., Ltd.2015. Με επιφύλαξη κάθε νόμιμου δικαιώματος.

ΤΟ ΠΑΡΟΝ ΕΓΓΡΑΦΟ ΠΡΟΟΡΙΖΕΤΑΙ ΜΟΝΟ ΓΙΑ ΣΚΟΠΟΥΣ ΠΛΗΡΟΦΟΡΗΣΗΣ ΚΑΙ ΔΕΝ ΑΠΟΤΕΛΕΙ ΚΑΝΕΝΟΣ ΕΙΔΟΥΣ ΕΓΓΥΗΣΗ.

Πολιτική απορρήτου

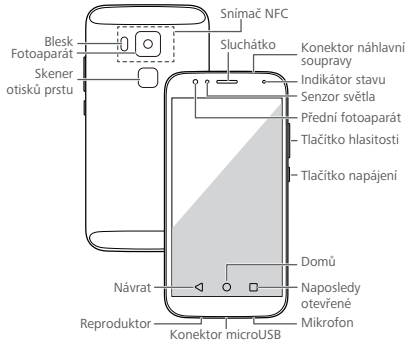
Για περισσότερες πληροφορίες σχετικά με το πώς προστατεύουμε τα προσωπικά σας δεδομένα, ανατρέξτε στην πολιτική απορρήτου στην ιστοσελίδα <http://consumer.huawei.com/privacy-policy>.

První pohled na telefon

Než začnete, podíváme se na váš nový telefon.

Stisknutím a podržením tlačítka napájení telefon zapnete nebo vypnete.

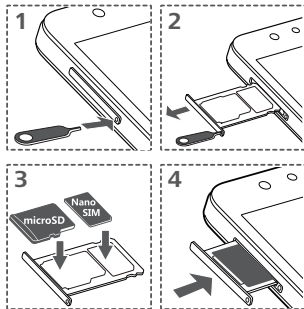
- i** Chcete-li vynutit restart telefonu, stiskněte a podržte tlačítka napájení, dokud telefon nezavibruje.



Začínáme

Při nastavení telefonu postupujte podle pokynů na následujících obrázcích. Nevkládejte ani nevyjímejte kartu Nano-SIM, pokud je telefon zapnutý.

- ⊘ Při použití kolíčku pro vysunutí karty SIM postupujte opatrně, aby nedošlo k poranění prstů nebo poškození telefonu. Kolíček uschovejte na bezpečném místě mimo dosah dětí, aby nemohlo dojít k jeho náhodnému spolknutí nebo poranění.
- ⚠ Vložte kartu Nano-SIM do správného otvoru pro kartu, aby mohla být telefonem rozpoznána.



Více informací

Čtete stručnou úvodní příručku dodávanou se zařízením.

Spusťte aplikaci **HiCare**, ve které si můžete přečíst uživatelskou příručku a informace o servisu nebo získat pomoc na fóru online.

Přejděte na web <http://consumer.huawei.com/cz/support/manuals/> a stáhněte si uživatelskou příručku pro vaše zařízení (včetně bezpečnostních informací), přečtěte si často kladené dotazy, zásady ochrany soukromí a další informace. Přejděte do nabídky **Nastavení > Info o telefonu > Právní informace**, kde si můžete přečíst právní informace.

Na stránce <http://consumer.huawei.com/cz/contact-us/> najdete vždy aktuální kontaktní informace pro vaši zemi nebo region.

- i** Všechny obrázky a ilustrace v této příručce, včetně (mimo jiné) zobrazení barvy, velikosti a obsahu displeje telefonu, jsou pouze pro vaši referenci. Skutečný produkt se může lišit. Žádná část této příručky nepředstavuje jakoukoli záruku, výslovnou ani naznačenou.

Bezpečnostní informace

Tato část obsahuje důležité informace o provozu přístroje. Najdete zde též informace o bezpečném používání přístroje. Před použitím přístroje si tyto informace pečlivě přečtěte.

Elektronický přístroj

Nepoužívejte přístroj, je-li použití tohoto zařízení zakázáno. Přístroj nepoužívejte, pokud jeho používání může ohrozit nebo rušit jiná elektrická zařízení.

Rušení lékařských přístrojů

- Poradte se s lékařem i výrobcem vámi používané zdravotní pomůcky a zjistěte, zda telefon neruší činnost lékařských přístrojů.
- Řiďte se nařízenými vydanými nemocnicemi a zdravotními institucemi. Nepoužívejte přístroj, kde je to zakázáno.
- Některá bezdrátová zařízení mohou ovlivnit funkčnost naslouchadel a kardiostimulátorů. Více informací získáte u poskytovatele služeb.

- Výrobci kardiostimulátorů doporučují udržovat vzdálenost minimálně 15 cm mezi zařízením a kardiostimulátorem, aby se zabránilo vzájemnému rušení těchto dvou přístrojů. Jste-li uživatelem kardiostimulátoru, držte přístroj na opačné straně než kardiostimulátor a nenoste jej v přední kapse.

Ochrana sluchu při použití náhlavní soupravy



- Neposlouchejte při vysoké hlasitosti delší dobu - zabráníte tak možnému poškození sluchu.
- Používání příliš hlasitě nastavené náhlavní soupravy může vést k poškození sluchu. Toto riziko snížíte zeslabením hlasitosti náhlavní soupravy na bezpečnou a příjemnou úroveň.
- Vysoká hlasitost při jízdě může rozptylovat a zvyšuje riziko nehody.

Potencionálně výbušná atmosféra

Vypínejte přístroj všude tam, kde hrozí nebezpečí výbuchu; dodržuje veškerá příkazová značení a pokyny. K prostorám, které mají potencionálně výbušnou atmosféru patří oblasti kde by bylo obvykle doporučeno vypnout motor vozidla. Zažehnutí jiskry v těchto místech může způsobit výbuch nebo požár, což může mít za následek zranění osob, v krajním případě i usmrcení. Zařízení nezapínejte na místech, kde se doplňuje palivo, jako jsou např. čerpací stanice. Ve skladech paliva, skladech, logistických provozech a chemických závodech se řiďte omezeními v souvislosti s používáním rádiových zařízení. Dále dodržujte nařízení v oblastech, kde probíhá odstřel trhavinou. Před použitím zařízení dejte pozor na prostory, které mají potencionálně výbušnou atmosféru a které jsou často, ale ne vždy jasně označné. Jedná se například o podpalubí lodí, místa uskladnění nebo přepravy chemických látek, příp. takové oblasti, kde jsou ve vzduchu obsaženy chemické látky a pevné částice, např. obilí, prachu nebo kovu. Informujte se u výrobce vozidel poháněných zkapalněným plynem (např. propanem nebo butanem), zda lze tento přístroj používat v jejich bezprostředním okolí.

Bezpečnost dopravy

- Při používání tohoto přístroje dodržujte místní zákony a předpisy. Z důvodu rizika úrazu nepoužívejte bezdrátové zařízení během řízení.
- Věnujte se řízení. Vaší prvořadou odpovědností je řídit bezpečně.
- Přístroj za jízdy nadržte. Použijte příslušenství hands-free.
- Pokud musíte telefonovat nebo přijmout hovor, nejdříve bezpečně zastavte u krajnice a zaparkujte vozidlo.
- Vysokofrekvenční rádiové signály mohou ovlivňovat činnost elektronických systémů vozidla. Další informace poskytne výrobce vozidla.
- V motorovém vozidle neumisťujte přístroj na airbag, ani do místa dosahu aktivovaného airbagu. Pokud tak učiníte, mohutná síla při nafukování airbagu vás může zranit.
- Nepoužívejte přístroj při letu v letadle nebo bezprostředně před nástupem do letadla. Používání bezdrátových zařízení v letadle může rušit bezdrátové sítě, což může být nezákonné a představuje nebezpečí pro provoz letadla.

Provozní prostředí

- Vyhněte se prašnému, vlhkému nebo špinavému prostředí. Vyhněte se magnetickým polím. Použití přístroje v takovém prostředí může způsobit jeho poruchu.
- Chcete-li chránit přístroj před jakýmkoli nebezpečím způsobeným bleskem, nepoužívejte jej během bouřky.
- Ideální provozní teplota je 0°C až 35°C. Ideální skladovací teplota je -20°C až 45°C. Extrémní teplo nebo chlad může přístroj nebo příslušenství poškodit.
- Nevystavujte přístroj delší dobu přímému slunečnímu světlu (například na přístrojové desce vozidla).
- Chcete-li chránit přístroj nebo příslušenství před vznícením a jeho uživatele před úrazem elektrickým proudem, chraňte je před deštěm a vlhkostí.
- Uchovávejte přístroj z dosahu zdroje tepla a ohně, jakým je např. topení, mikrovlnná trouba, sporák, ohříváč vody, radiátor nebo svíčka.

- Do blízkosti sluchátka nebo reproduktoru neukládejte ostré kovové předměty, jako např. špendlíky. Sluchátko může tyto předměty přitáhnout, což může následně vést ke zranění.
- Přístroj nebo aplikace přestaňte na chvíli používat, pokud je přístroj přehřátý. Je-li kůže delší dobu vystavena přehřátému přístroji, mohou se objevit příznaky nízkoteplotních popálenin, jako jsou červené skvrny a tmavší pigmentace.
- Blesk fotoaparátu přístroje nesměřujte přímo do očí lidí ani domácích zvířat. Jinak může dojít k dočasné ztrátě zraku nebo poškození očí.
- Nedotýkejte se antény přístroje. V opačném případě může dojít ke snížení kvality komunikace.
- Nedovolte dětem ani zvířatům, aby do přístroje nebo příslušenství kousaly nebo je cucaly. Může dojít k poškození nebo výbuchu.
- Dodržujte místní zákony a předpisy a respektujte soukromí a práva ostatních.

Bezpečnost dětí

- S ohledem na bezpečnost dětí se řiďte všemi upozorněními. Hraní dětí s přístrojem nebo jeho příslušenstvím může být nebezpečné. Přístroj obsahuje oddělitelné části, které mohou představovat nebezpečí udušení. Uchovávejte mimo dosah dětí.
- Přístroj a jeho příslušenství nejsou určeny pro používání dětmi. Děti by měly přístroj používat pouze pod dohledem dospělé osoby.

Příslušenství

- Používání neschváleného napájecího adaptéra, nabíječky nebo baterie může způsobit požár, výbuch nebo vést k jiným nebezpečným situacím.
- Vybírejte pouze příslušenství, které výrobce zařízení schválil k použití s tímto modelem. Použití jiného příslušenství může vést ke zrušení záruky, porušení místních předpisů a zákonů a může být nebezpečné. Informace o dostupnosti schváleného příslušenství ve vašem okolí získáte od svého prodejce.

Bezpečnostní zásady pro práci s nabíječkou

- U připojitelných zařízení by zásuvka měla být umístěna poblíž přístroje a měla by být snadno přístupná.
- Pokud nabíječku nepoužíváte, odpojte ji z elektrické zásuvky i z přístroje.
- Nabíječku chraňte před pádem či nárazem.
- Je-li napájecí kabel poškozen (např. jsou obnaženy vodiče nebo je kabel zlomený), nebo je-li zástrčka uvolněná, přestaňte neprodleně kabel používat. Pokračování v používání může vést k úrazu elektrickým proudem, ke zkratu nebo požáru.
- Nabíječku neodpojujte vytažením napájecího kabelu a nedotýkejte se napájecího kabelu mokřýma rukama.
- Nedotýkejte se přístroje ani nabíječky vlhkýma rukama. Pokud tak učiníte, může dojít ke zkratu, poruše nebo úrazu elektrickým proudem.
- Pokud byla nabíječka vystavena působení vody, jiných kapalin nebo nadměrné vlhkosti, nechte ji překontrolovat v autorizovaném servisním středisku.

- Ujistěte se, že nabíječka splňuje požadavky klauzule 2.5 předpisů IEC60950-1/EN60950-1/UL60950-1 a že je testována a schválena v souladu se státními nebo místními standardy.
- Přístroj připojujte k výrobkům, které jsou označeny logem USB-IF nebo u nich byl proveden program shody s USB-IF.

Bezpečnostní zásady pro práci s baterií

- Póly baterie nepřikládejte k vodivým materiálům, jako jsou např. klíče, šperky nebo jiné kovové předměty. Může dojít ke zkratu baterie s následným zraněním či popálením.
- Baterii chraňte před nadměrným teplem a přímým slunečním zářením. Neumísťujte ji na nebo do topných zařízení, jako jsou mikrovlnné trouby, sporáky či radiátory. Baterie mohou při přehřátí explodovat.
- Nepokoušejte se baterii upravit nebo předělat, vsunovat do ní cizí předměty, ponořovat ji do vody nebo ji vystavovat působení vody či jiné

kapaliny. Pokud tak učiníte, může dojít k požáru, výbuchu nebo jiným nebezpečným situacím.

- V případě úniku elektrolytu z baterie zajistěte, aby elektrolyt nepřišel do styku s pokožkou a nevníkl do očí. Pokud elektrolyt přijde do styku s pokožkou nebo stříkne do očí, postižené místo neprodleně omyjte čistou vodou a konzultujte stav s lékařem.
- Pokud během nabíjení nebo skladování baterie dojde k její deformaci, změně barvy nebo nadměrnému zahřívání, neprodleně přestaňte přístroj používat a baterii vyjměte. Další používání může vést k vytečení baterie, požáru nebo výbuchu.
- Baterii neodhazujte do ohně, protože může dojít k explozi. Poškozené baterie mohou také explodovat.
- Použité baterie likvidujte v souladu s místními předpisy. Nesprávné používání baterie může vést k požáru, výbuchu nebo jiné nebezpečné situaci.
- Nedovolte dětem ani zvířatům, aby do baterie kousaly nebo ji cucaly. Může dojít k poškození nebo výbuchu.

- Baterii nerozbíjejte, neprorázejte ani ji nevystavujte velkému vnějšímu tlaku. Pokud tak učiníte, může dojít ke zkratu nebo přehřátí.
- Přístroj ani baterii nevystavujte žádnému nárazu. Pokud přístroj nebo baterie upadnou, zejména na tvrdou plochu, může dojít k jejich poškození.
- Pokud se doba pohotovostního režimu přístroje výrazně zkracuje, baterii vyměňte.
- Přístroj má zabudovanou baterii, kterou nelze vyjmout. Nepokoušejte se baterii vyjmout, jinak se přístroj může poškodit. Výměnu baterie v přístroji přenechejte autorizovanému servisnímu středisku.

Čištění a údržba

- Přístroj i příslušenství udržujte suché. Nepokoušejte se jej vysušit externím zdrojem tepla, například v mikrovlnné troubě nebo fénem.
- Přístroj ani příslušenství nevystavujte extrémnímu teplu nebo chladu. Tyto vnější podmínky mohou rušivě zasahovat do správné funkce, což může vést k požáru nebo výbuchu.

- Zabraňte nárazu, který může vést k poruše přístroje, přehřátí, požáru nebo výbuchu.
- Před čištěním nebo údržbou přístroj přestaňte používat, ukončete všechny aplikace a odpojte všechny k němu připojené kabely.
- K čištění přístroje nebo příslušenství nepoužívejte žádné chemické čisticí prostředky, prášky či jiné chemické látky (jako alkohol a benzen). Tyto látky mohou díly poškodit nebo představují nebezpečí vzniku požáru. Přístroj i příslušenství očistěte čistým, měkkým a suchým hadříkem.
- Do blízkosti přístroje nepokládejte na delší dobu magnetické karty, jako jsou kreditní a telefonní karty. V opačném případě se mohou karty s magnetickým pruhem poškodit.
- Přístroj ani jeho příslušenství nerozebírejte ani nepředělávejte. Jinak zanikne záruka a výrobce se zbavuje odpovědnosti za škodu. V případě poškození kontaktujte autorizované servisní středisko a požádejte o pomoc či opravu.

- Pokud při nárazu dojde k popraskání obrazovky přístroje, okamžitě přístroj přestaňte používat. Nedotýkejte se rozbitých částí a ani se je nepokoušejte odstranit. Okamžitě kontaktujte autorizované servisní středisko.

Tísňová volání

Dostupnost tísňového volání je otázkou kvality používané mobilní sítě, koncepce služeb poskytovatele a místních zákonů a předpisů. V kritické komunikaci, jako je například nutnost lékařského zásahu, se nikdy nespolehejte výhradně na přístroj.

Informace o likvidaci a recyklaci



Tento symbol (včetně nebo bez plné čáry) na přístroji, na bateriích (je-li součástí dodávky) a/nebo na obalu naznačuje, že přístroj a jeho elektrické příslušenství (např. náhlavní souprava, adaptér nebo kabel) a baterie nesmí být likvidovány spolu s komunálním odpadem. Tyto položky nesmí být likvidovány jako

netříděný komunální odpad a musí být předány do certifikovaného sběrného střediska, kde budou recyklovány, nebo správně zlikvidovány.

Podrobnější informace o recyklaci přístroje nebo baterie vám poskytne místní městský úřad, společnost zajišťující svoz domovního odpadu, příp. obchod.

Likvidace přístroje a baterií (jsou-li součástí dodávky) je předmětem přepracovaného znění směrnice OEEZ (2012/19/EU) a směrnice o bateriích (směrnice 2006/66/ES). Důvodem ke třídění elektroodpadu a baterií od ostatního odpadu je, co nejvíce omezit negativní dopady všech nebezpečných látek na životní prostředí a lidské zdraví.

Omezení nebezpečných látek

Tento přístroj splňuje nařízení REACH [Nařízení (ES) č. 1907/2006] a přepracované znění směrnice RoHS (2011/65/EU). Baterie (jsou-li součástí dodávky) splňují směrnici o bateriích (2006/66/ES). Aktuální informace o shodě se směrnicemi REACH a RoHS naleznete na stránkách <http://consumer.huawei.com/certification>.

Prohlášení o shodě s předpisy EU

Provoz při nošení na těle

Přístroj splňuje požadavky na vysokofrekvenční zařízení při použití v blízkosti ucha nebo ve vzdálenosti 1,5 cm od těla. Ujistěte se, že příslušenství tohoto přístroje, jako je např. obal nebo pouzdro, není tvořeno kovovými částmi. Přístroj udržujte mimo tělo, aby byly splněny uvedené požadavky na vzdálenost.

Informace o certifikátech (SAR)

Tento přístroj splňuje směrnice pro vystavení vysokofrekvenčnímu záření. Tento přístroj je nízkonapěťový rádiový přijímač a vysílač. Je navržen tak, aby nepřekračoval limity pro vystavení rádiovým vlnám, které jsou dány mezinárodními předpisy. Tyto předpisy vyvinula nezávislá vědecká organizace Mezinárodní komise pro ochranu před neionizujícím zářením (ICNIRP) a obsahují bezpečnostní opatření navržená k zajištění bezpečnosti pro všechny uživatele bez ohledu na jejich věk či zdraví.

Jednotkou měření pro množství energie rádiové frekvence absorbované tělem při používání zařízení je specifická míra absorpce (SAR). Hodnota SAR je určena

při nejvyšší certifikované hladině energie v laboratorních podmínkách, ale skutečná hladina SAR při provozu může být výrazně pod touto hodnotou. Důvodem je to, že přístroj je nastaven na používání minimální energie potřebné k dosažení sítě.

Limit SAR, který byl rovněž přijat v Evropě, je 2,0 W/kg průměrně na 10 gramů tkáně. Nejvyšší hodnota SAR pro tento přístroj je v souladu s tímto limitem.

Nejvyšší hodnota SAR zaznamenaná pro tento typ zařízení v rámci zkoušek pro použití v blízkosti ucha je 1,44 W/kg, resp. 0,56 W/kg při správném nošení na těle.

Prohlášení

Společnost Huawei Technologies Co., Ltd. tímto potvrzuje, že tento přístroj je v souladu s hlavními požadavky a dalšími relevantními předpisy směrnice 1999/5/ES a směrnice 2011/65/EU.

Prohlášení o shodě naleznete na webových stránkách

<http://consumer.huawei.com/certification>.

Součástí produktu je následující označení:

CE 0197

Tento přístroj může být provozován ve všech členských státech EU. Dodržujte národní a místní předpisy v místě, kde je přístroj používán. V závislosti na lokální síti může být používání tohoto přístroje omezeno.

Omezení v pásmu 2,4 GHz:

Norsko: Tato část se netýká zeměpisné plochy o poloměru 20 km od středu osady Ny-Ålesund.

Dodržování předpisů Federální komise pro komunikaci (FCC)

Provoz při nošení na těle

Přístroj splňuje požadavky na vysokofrekvenční zařízení při použití v blízkosti ucha nebo ve vzdálenosti 1,5 cm od těla. Ujistěte se, že příslušenství tohoto

přístroje, jako je např. obal nebo pouzdro, není tvořeno kovovými částmi. Přístroj udržujte mimo tělo, aby byly splněny uvedené požadavky na vzdálenost.

Informace o certifikátech (SAR)

Tento přístroj je také navržen tak, aby splňoval požadavky na vystavení vysokofrekvenčnímu záření stanovené Federální komisí pro komunikaci (FCC) (USA).

Ve Spojených státech je limit SAR stanoven na 1,6 W/kg zprůměrováno na gram tkáně. Nejvyšší hodnota SAR u tohoto typu přístroje nahlášená Federální komisí pro komunikaci uvedený limit splňovala.

Nejvyšší hodnota SAR nahlášená Federální komisí pro komunikaci (FCC) pro tento typ přístroje pro použití v blízkosti ucha je 1,18 W/kg, při správném nošení na těle je 0,87 W/kg a při používání funkce Wi-Fi hotspotu je 1,32 W/kg.

Prohlášení Federální komise pro komunikaci (FCC)

Tento přístroj byl testován a bylo zjištěno, že odpovídá limitům pro digitální zařízení třídy B podle Části 15 pravidel FCC. Tyto limity poskytují přiměřenou ochranu před škodlivým rušením při instalaci v obydlených oblastech. Dané

zařízení vytváří, využívá a může vyzařovat vysokofrekvenční energii. Pokud není nainstalováno a využíváno v souladu s pokyny, může rušit rádiovou komunikaci. Neexistuje však žádná záruka, že k rušení v konkrétní instalaci nedojde. Pokud tento přístroj ruší rozhlasový nebo televizní příjem – což lze určit vypnutím a zapnutím přístroje – uživatel se může pokusit odstranit rušení některou z následujících metod:

- Změňte orientaci přijímající antény nebo ji přemístěte.
- Zvětšete vzdálenosti mezi přístrojem a přijímačem.
- Zapojte přístroj do zásuvky jiného okruhu, než do kterého je zapojen přijímač.
- Poradte se s prodejcem nebo zkušeným technikem v oblasti rozhlasu a televize.

Tento přístroj splňuje nařízení Federální komise pro komunikaci (FCC), část 15. Provoz je podmíněn následujícími dvěma podmínkami: (1) Tento přístroj nesmí působit škodlivé rušení a (2) tento přístroj se musí vyrovnat s jakýmkoliv rušením včetně toho, které může způsobit nežádoucí činnost.

Upozornění: Jakékoliv změny nebo úpravy tohoto přístroje, které nejsou výslovně schváleny společností Huawei Technologies Co., Ltd. z hlediska shody, mohou zrušit práva uživatele provozovat toto zařízení.

Právní upozornění

Copyright © Huawei Technologies Co., Ltd. 2015.

Všechna práva vyhrazena.

TENTO DOKUMENT MÁ POUZE INFORMAČNÍ ÚČEL A NEPOSKYTUJE ŽÁDNÉ ZÁRUKY.

Zásady ochrany osobních údajů

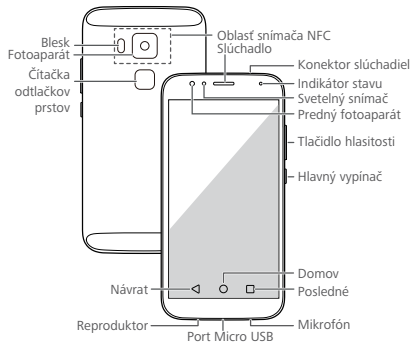
Nejlépe pochopíte, jak chráníme vaše osobní údaje, pokud si přečtete zásady ochrany osobních údajů na webu

<http://consumer.huawei.com/cz/privacy-policy/>.

Prvý pohľad na telefón

Skôr než začnete, dovoľte nám váš nový telefón predstaviť.
Svoj telefón zapnete a vypnete stlačením a podržaním hlavného vypínača.

- i** Ak chcete vynútiť reštartovanie svojho telefónu, stlačte a podržte hlavný vypínač, kým telefón nezačne vibrovať.

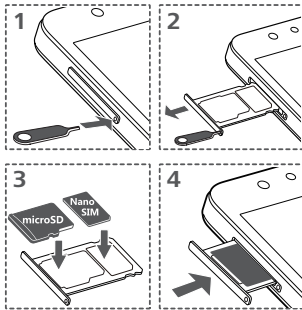


Začíname

Pri nastavení svojho telefónu postupujte podľa pokynov na nasledujúcich obrázkoch. Ak je váš telefón zapnutý, kartu SIM nekladajte ani nevyberajte.

⊘ Pri používaní hrotu na vysunutie karty SIM dávajte pozor, aby ste si neporanili prsty a nepoškodili telefón. Hrot uschovajte na bezpečnom mieste mimo dosahu detí, aby ste zabránili náhodnému prehltnutiu alebo poraneniu.

⚠ Kartu SIM vložte do správnej štrbiny na kartu; len tak ju dokáže váš telefón rozpoznať.



Ďalšie zdroje informácií

Prečítajte si stručný návod dodaný s vaším zariadením.

Otvorte stránku **HiCare** a prečítajte si návod na obsluhu a servisné informácie alebo získajte pomoc z online fóra.

Prejdite na stránku **Nastavenia > Informácie o telefóne > Právne informácie** a prečítajte si právne informácie.

Na stránke <http://consumer.huawei.com/en/support/hotline/> nájdete najnovšie kontaktné údaje pre vašu krajinu alebo región.

- i** Všetky obrázky a ilustrácie v tejto príručke, vrátane napríklad farby telefónu, veľkosti a obsahu displeja, sú len informatívne. Skutočný produkt môže byť odlišný. Nič, čo je uvedené v tejto príručke, nepredstavuje záruku akéhokoľvek druhu, výslovnú alebo predpokladanú.

Informácie týkajúce sa bezpečnosti

Rušenie lekárskeho prístrojov

- Riadte sa pravidlami a predpismi v nemocniciach a zdravotníckych zariadeniach. Zariadenie nepoužívajte, ak to je zakázané.
- Niektoré bezdrôtové zariadenia môžu mať nepriaznivý vplyv na funkčnosť načúvacích prístrojov alebo kardiostimulátorov. Ďalšie informácie získate od svojho poskytovateľa služieb.
- Výrobcovia kardiostimulátorov odporúčajú dodržiavať medzi zariadením a kardiostimulátorom minimálnu vzdialenosť 15 cm, aby sa zabránilo možnému rušeniu kardiostimulátora. Ak používate kardiostimulátor, používajte zariadenie na opačnej strane, než máte stimulátor a nenoste telefón v prednom vrecku.

Ochrana sluchu pri používaní slúchadlovej súpravy



V rámci prevencie pred poškodením sluchu nepočúvajte dlhodobo pri vysokých úrovniach hlasitosti.

Prevádzkové prostredie

Ideálne prevádzková teplota je 0 °C až 35 °C. Ideálne teplota pri skladovaní je -20 °C až 45 °C. Nadmerné teplo alebo chlad by mohli poškodiť zariadenie alebo príslušenstvo.

Informácie o likvidácii a recyklácii



Tento symbol (s podčiarknutím, alebo bez) na zariadení, batériách (ak sú súčasťou balenia) a/alebo na balení naznačuje, že sa zariadenie a jeho elektrické príslušenstvo (napríklad slúchadlá, adaptér alebo kábel) nemá likvidovať ako odpad z domácnosti. Tieto predmety by sa nemali likvidovať ako

neseparovaný komunálny odpad a je potrebné ich odvieť na certifikované zberné miesto pre recykláciu alebo správnu likvidáciu.

Pre podrobnejšie informácie o recyklácii zariadenia alebo batérie sa obráťte na miestny úrad, službu na odvoz odpadu alebo maloobchodnú predajňu. Likvidácia zariadenia a batérií (ak sú súčasťou balenia) je predmetom Smernice Európskeho parlamentu a Rady č. 2012/19/EÚ o odpade z elektrických a elektronických zariadení (OEEZ) a Smernice Európskeho parlamentu a Rady č. 2006/66/ES o batériách a akumulátoroch a použitých batériách a akumulátoroch. Účel separovania OEEZ a batérií od iného odpadu spočíva v minimalizovaní potenciálnych environmentálnych dopadov na zdravie ľudí, ktoré súvisia s existenciou nebezpečných látok.

Zníženie dosahu nebezpečných látok

Toto zariadenie je v súlade s Nariadením Európskeho parlamentu a Rady (ES) 1907/2006 o registrácii, hodnotení, autorizácii a obmedzovaní chemikálií (REACH) a Smernici Európskeho parlamentu a Rady 2011/65/EÚ o obmedzení používania určitých nebezpečných látok v elektrických a elektronických zariadeniach (prepracovaná smernica RoHS). Batérie (ak sú súčasťou balenia)

sú v súlade so Smernicou Európskeho parlamentu a Rady č. 2006/66/ES o batériách a akumulátoroch a použitých batériách a akumulátoroch. Pre aktuálne informácie o súlade so smernicami REACH a RoHS prosím navštívte internetovú stránku <http://consumer.huawei.com/certification>.

Súlad s predpismi EÚ

Obsluha pri umiestnení na tele

Zariadenie spĺňa technické normy pre rádiový frekvenčné žiarenie, ak je zariadenie používané blízko ucha alebo vo vzdialenosti 1,5 cm od tela.

Zabezpečte, aby príslušenstvo zariadenia, ako je puzdro a držiak, neobsahovali kovové časti. Udržiavajte zariadenie v predpísanej vzdialenosti od vášho tela.

Informácie o certifikácii (SAR)

Toto zariadenie spĺňa smernice týkajúce sa vystavenia účinkom rádiových vln. Zariadenie je rádiový vysielač a prijímač s nízkym výkonom. Ako odporúčajú medzinárodné smernice, zariadenie je vyrobené tak, aby neprekračovalo limity pre vystavenie účinkom rádiových vln. Tieto smernice boli stanovené nezávislou vedeckou organizáciou International Commission on Non-Ionizing Radiation Protection (ICNIRP) a obsahujú bezpečnostné merania určené na zaistenie bezpečnosti všetkých používateľov bez ohľadu na vek a zdravotný stav.

Specific Absorption Rate (Merná úroveň absorpcie – SAR) je jednotka, ktorá sa používa pri meraní množstva rádiový frekvenčnej energie absorbovanej telom pri používaní zariadenia. Hodnota SAR sa určuje pri najvyššej certifikovanej úrovni energie v laboratórnych podmienkach, skutočná úroveň hodnoty SAR pri používaní bezdrôtového zariadenia však môže byť oveľa nižšia. Je to spôsobené tým, že zariadenie je navrhnuté tak, aby používalo minimálne množstvo energie potrebné na dosiahnutie siete.

V Európe prijatý limit SAR je 2,0 W/kg v priemere na 10 gramov tkaniva a najvyššia hodnota SAR pre toto zariadenie je v súlade s týmto limitom.

Najvyššia hodnota SAR pre tento typ zariadenia bola pri testovaní na uchu nameraná vo výške 1,44 W/kg a pri správnom používaní na tele je 0,56 W/kg.

Vyhlásenie

Spoločnosť Huawei Technologies Co., Ltd. týmto vyhlasuje, že toto zariadenie je v súlade so základnými požiadavkami a ďalšími príslušnými ustanoveniami smernice 1999/5/ES a Smernice 2011/65/EÚ.

Vyhlásenie o zhode nájdete na internetovej stránke <http://consumer.huawei.com/certification>.

Nasledujúce označenie je uvedené na výrobku:

CE 0197

Toto zariadenie je možné používať vo všetkých členských štátoch EÚ.
Dodržiavajte národné a miestne predpisy pri používaní zariadenia.
Používanie tohto zariadenia môže byť obmedzené v závislosti od miestnej siete.

Obmedzenia v pásme 2,4 GHz:

Nórsko: Táto časť sa netýka zemepisnej oblasti v okruhu 20 km od centra Ny-Ålesund.

Zhoda so smernicami Federálnej komisie pre komunikácie (FCC)

Obsluha pri umiestnení na tele

Zariadenie spĺňa technické normy pre rádiový frekvenčný žiarenie, ak je zariadenie používané blízko ucha alebo vo vzdialenosti 1,5 cm od tela.

Zabezpečte, aby príslušenstvo zariadenia, ako je puzdro a držiak, neobsahovali kovové časti. Udržiavajte zariadenie v predpísanej vzdialenosti od vášho tela.

Informácie o certifikácii (SAR)

Toto zariadenie je navrhnuté tak, aby spĺňalo požiadavky na vystavenie rádiovým vlnám stanovené zo strany Federálnej komisie pre komunikácie (Spojené štáty).

Limit SAR prijatý Spojenými štátmi je priemerne 1,6 W/kg na jeden gram tkaniva. Najvyššia hodnota SAR hlásená FCC pre tento typ zariadenia je v súlade s týmto limitom.

Najvyššia hodnota SAR hlásená IC pre tento typ zariadenia bola pri testovaní na uchu nameraná vo výške 1,18 W/kg a pri správnom používaní na tele je 0,87 W/kg a pri používaní funkcie Wi-Fi hotspot je 1,32 W/Kg.

Vyhlásenie komisie FCC

Toto zariadenie bolo testované a je v súlade s limitmi pre digitálne zariadenie triedy B, podľa časti 15 smerníc FCC. Tieto limity sú vytvorené pre primeranú ochranu voči škodlivému rušeniu na mieste inštalácie. Toto zariadenie vytvára, používa a môže vyžarovať energiu na rádiovéj frekvencii, a ak nie je

nainštalované a používané podľa pokynov, môže spôsobiť škodlivé rušenie rádiovkej komunikácie. Neexistuje však záruka, že pri určitej inštalácii nedôjde k vzniku rušenia. Ak toto zariadenie spôsobuje škodlivé rušenie rádiového alebo televízneho príjmu, čo je možné zistiť zapnutím a vypnutím zariadenia, používateľovi sa odporúča pokúsiť sa toto rušenie napraviť jedným alebo viacerými nasledujúcimi opatreniami:

- Preorientujte alebo premiestnite prijímaciu anténu.
- Zväčšite vzdialenosť medzi zariadením a prijímačom.
- Zapojte zariadenie do zásuvky, ktorá je súčasťou iného obvodu ako prijímač.
- Obráťte sa o pomoc na predajcu alebo na skúseného technika pre oblasť rozhlasu/televízie.

Toto zariadenie vyhovuje časti 15 predpisov komisie FCC Používanie podlieha nasledujúcim dvom podmienkam: (1) toto zariadenie nesmie spôsobovať škodlivé rušenie a (2) toto zariadenie musí pohlcovať akékoľvek prijímané rušenie vrátane rušenia, ktoré môže spôsobovať nežiaducu činnosť.

Upozornenie: Zmeny alebo úpravy tohto zariadenia výslovne neschválené spoločnosťou Huawei Technologies Co., Ltd. pre zhodu by mohli mať za následok zrušenie oprávnenia používateľa na používanie zariadenia.

Právne informácie

Copyright © Huawei Technologies Co., Ltd. 2015.

Všetky práva vyhradené.

TENTO DOKUMENT JE LEN NA INFORMAČNÉ ÚČELY A NEPREDSTAVUJE ŽIADNY DRUH ZÁRUK.

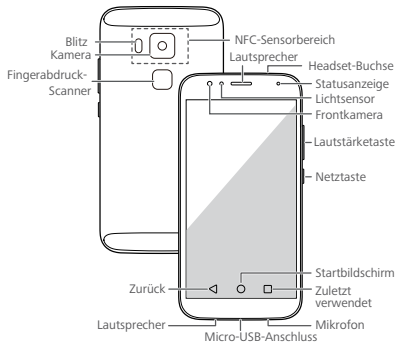
Zásady ochrany súkromia

Pre lepšie pochopenie spôsobu ochrany vašich osobných informácií si prosím pozrite zásady ochrany súkromia na stránke <http://consumer.huawei.com/privacy-policy>.

Ihr Telefon auf einen Blick

Werfen wir einen Blick auf Ihr neues Telefon, bevor Sie beginnen.
Halten Sie die Netztaete gedrückt, um Ihr Telefon ein- oder auszuschalten.

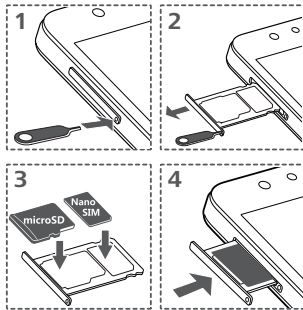
- i** Um einen Neustart des Telefons zu erzwingen, halten Sie die Netztaete gedrückt, bis das Telefon vibriert.



Erste Schritte

Folgen Sie den Anweisungen in den folgenden Abbildungen, um Ihr Telefon einzurichten. Solange Ihr Telefon eingeschaltet ist, dürfen Sie die SIM-Karte weder einsetzen noch entfernen.

- ⊘ Bitte seien Sie bei der Verwendung des SIM-Auswurfstifts vorsichtig, damit Sie Ihre Finger nicht verletzen und Ihr Telefon nicht beschädigen. Bewahren Sie Ihren Stift an einem sicheren Ort außerhalb der Reichweite von Kindern auf, damit er nicht versehentlich verschluckt wird oder sich Kinder daran verletzen.
- ⚠ Setzen Sie die SIM-Karte in den richtigen Kartensteckplatz ein, da sie andernfalls möglicherweise nicht vom Telefon erkannt wird.



Weitere Informationen


Bitte lesen Sie die Kurzanleitung, die im Lieferumfang Ihres Geräts enthalten ist.

Öffnen Sie **HiCare**, um das Benutzerhandbuch und Serviceinformationen zu lesen. Hier erhalten Sie auch Hilfe im Online-Forum.

Rufen Sie **Einstellungen > Über das Telefon > Rechtliche Hinweise** auf, um rechtliche Hinweise zu lesen.

Bitte besuchen Sie die Website

<http://consumer.huawei.com/en/support/hotline/>, auf der Sie aktuelle Kontaktdaten für Ihr Land bzw. Ihre Region finden.

-  Die Fotos und Abbildungen in diesem Handbuch, einschließlich, jedoch nicht beschränkt auf Telefonfarbe, Größe und angezeigte Inhalte, dienen lediglich Ihrer Information. Das tatsächliche Produkt kann davon abweichen. Keiner der Inhalte in diesem Handbuch stellt irgend eine Form der Gewährleistung dar, weder ausdrücklich noch stillschweigend.

Sicherheitsinformationen

Störungen von Medizingeräten

- Halten Sie sich an die von Krankenhäusern und Gesundheitseinrichtungen festgelegten Regeln und Bestimmungen! Verwenden Sie das Gerät nicht beim Bedienen eines Fahrzeugs.
- Einige drahtlose Geräte könnten die Funktion von Hörgeräten oder Herzschrittmachern beeinträchtigen. Kontaktieren Sie Ihren Serviceanbieter für weitere Informationen.
- Hersteller von Herzschrittmachern empfehlen, einen Mindestabstand von 15 cm zwischen dem Gerät und einem Herzschrittmacher einzuhalten, um potenzielle Störungen des letzteren zu verhindern. Falls Sie einen Herzschrittmacher tragen, verwenden Sie das Gerät auf der entgegengesetzten Seite des Herzschrittmachers und tragen Sie es nicht in der Brusttasche.

Schutz Ihres Gehörs bei Verwendung eines Headsets



Zum Schutz vor möglichen Hörschäden vermeiden Sie es, über längere Zeiträume einer Audiowiedergabe in hoher Lautstärke zuzuhören.

Nutzungsumfeld

Die optimale Betriebstemperatur ist 0 °C bis 35 °C. Die optimale Lagerungstemperatur ist -20 °C bis 45 °C. Extreme Hitze oder Kälte kann Ihr Gerät oder das Zubehör beschädigen.

Informationen zur Entsorgung und Wiederverwertung



Dieses Symbol (mit oder ohne massivem Balken) am Gerät, an den Akkus (sofern enthalten) und/oder an der Verpackung zeigt an, dass das Gerät und sein elektrisches Zubehör (beispielsweise ein Headset, ein Adapter oder ein Kabel) und die Akkus nicht über den regulären Hausmüll zu entsorgen sind. Diese Elemente sollten nicht über den unsortierten Haushaltsmüll entsorgt

werden, sondern stattdessen einer zertifizierten Sammelstelle zur Wiederverwertung oder zur ordnungsgemäßen Entsorgung zugeführt werden. Detailliertere Informationen zur Wiederverwertung des Geräts oder des Akkus erhalten Sie bei der lokalen Stadtverwaltung, bei der Müllabfuhr oder im Fachgeschäft.

Die Entsorgung des Geräts und der Akkus (sofern enthalten) unterliegt der Neufassung der Richtlinie über die Entsorgung elektrischer und elektronischer Geräte (Richtlinie 2012/19/EU) sowie der Akkurichtlinie (Richtlinie 2006/66/EG). Elektronikschrott und Batterien sind vom Restmüll zu trennen, um potenzielle Umwelteinflüsse und Gefahren für die menschliche Gesundheit durch möglicherweise vorhandene Gefahrstoffe zu minimieren.

Reduzierung von Gefahrstoffen

Dieses Gerät erfüllt die REACH-Verordnung [Verordnung (EG) Nr. 1907/2006] sowie die Neufassung der RoHS-Richtlinie (Richtlinie 2011/65/EU). Batterien und Akkus (sofern im Lieferumfang enthalten) erfüllen die Batterie-/ Akkurichtlinie (Richtlinie 2006/66/EG). Aktuelle Informationen zur Einhaltung der REACH-Verordnung und der RoHS-Richtlinie finden Sie auf der Webseite <http://consumer.huawei.com/certification>.

Einhaltung der EU-Bestimmungen

Benutzung am Körper

Das Gerät entspricht den RF-Anforderungen, wenn es in der Nähe Ihres Ohres oder in einem Abstand von 1,5 cm von Ihrem Körper verwendet wird. Achten Sie darauf, keine Zubehörteile wie Etais und Tragetaschen aus Metall zu verwenden. Halten Sie das Gerät von Ihrem Körper fern, um den geforderten Abstand einzuhalten.

Informationen zur Zertifizierung (SAR)

Dieses Gerät erfüllt die Richtlinien bezüglich der Belastung durch Funkwellen. Ihr Gerät ist ein Funksender und -empfänger mit geringem Leistungsverbrauch. Es wurde so entwickelt, dass die in den internationalen Richtlinien empfohlenen Grenzwerte für die Belastung durch Funkwellen nicht überschritten werden. Diese Richtlinien wurden von der Internationalen Strahlenschutzkommission für nichtionisierende Strahlung (ICNIRP) erstellt und beinhalten Sicherheitsmaßnahmen, die die Sicherheit aller Nutzer, unabhängig von Alter und Gesundheitszustand, gewährleisten sollen. Die spezifische Absorptionsrate (SAR) ist die Maßeinheit für die Menge der während der Verwendung des Geräts vom Körper absorbierten

Hochfrequenzenergie. Der SAR-Wert wird auf der höchstmöglichen Einstellung unter Laborbedingungen ermittelt. Die tatsächliche SAR-Absorptionsrate während des Betriebs kann weit unter diesem Wert liegen. Dies liegt daran, dass das Gerät für die geringstmögliche Leistungsaufnahme, die für die Erreichung des Netzwerks erforderlich ist, konzipiert ist. Der in Europa festgelegte SAR-Höchstwert liegt bei 2,0 W/kg, gemittelt über 10 Gramm Körpergewebe. Der höchste SAR-Wert für dieses Gerät erfüllt diesen Grenzwert.

Der höchste SAR-Wert für diesen Gerätetyp bei einem Test unter Verwendung am Ohr liegt bei 1,44 W/kg und bei 0,56 W/kg, wenn das Gerät ordnungsgemäß am Körper getragen wird.

Erklärung

Huawei Technologies Co., Ltd. erklärt hiermit, dass dieses Geräts den wesentlichen Anforderungen und anderen relevanten Bestimmungen der Richtlinie 1999/5/EG und der Richtlinie 2011/65/EU entspricht. Die Konformitätserklärung finden Sie unter <http://consumer.huawei.com/certification>.

Dieses Produkt umfasst die folgende Kennzeichnung:

CE 0197

Dieses Gerät darf in allen Mitgliedstaaten der EU betrieben werden. Beachten Sie bei der Nutzung des Geräts die nationalen und die lokalen Vorschriften.

Die Nutzung dieses Geräts ist möglicherweise je nach Ihrem lokalen Mobilfunknetz beschränkt.

Beschränkungen des 2,4-GHz-Frequenzbandes:

Norwegen: Dieser Unterabschnitt gilt nicht für das Gebiet in einem 20-km-Radius von der Mitte von Ny-Ålesund.

Einhaltung der FCC-Bestimmungen

Benutzung am Körper

Das Gerät entspricht den RF-Anforderungen, wenn es in der Nähe Ihres Ohres oder in einem Abstand von 1,5 cm von Ihrem Körper verwendet wird. Achten

Sie darauf, keine Zubehörteile wie Etais und Tragetaschen aus Metall zu verwenden. Halten Sie das Gerät von Ihrem Körper fern, um den geforderten Abstand einzuhalten.

Informationen zur Zertifizierung (SAR)

Dieses Gerät ist zudem so konzipiert, dass es die Anforderungen in Bezug auf die Exposition gegenüber Funkwellen der FCC (Federal Communications Commission; USA) erfüllt.

Der von den USA festgelegte SAR-Höchstwert liegt bei 1,6 W/kg, gemittelt über ein Gramm Körpergewebe. Der höchste für dieses Gerät ermittelte SAR-Wert, der der FCC gemeldet wurde, erfüllt diesen Grenzwert.

Der höchste, der FCC für diesen Gerätetyp bei Einsatz am Ohr gemeldete SAR-Wert ist 1,18 W/kg, wenn das Gerät ordnungsgemäß am Körper getragen wird, ist er 0,87 W/kg. Bei Verwendung der WLAN-Hotspot-Funktion ist er 1,32 W/kg.

FCC-Erklärung

Dieses Gerät wurde getestet und entspricht gemäß Teil 15 der FCC-Regeln den Grenzwerten digitaler Geräte der Klasse B. Diese Grenzwerte sollen für die Verwendung in Wohnbereichen einen angemessenen Schutz vor

funktechnischen Störungen bieten. Dieses Gerät erzeugt und verwendet Hochfrequenzenergie und kann diese abstrahlen. Wird das Gerät nicht gemäß den Anweisungen eingerichtet und verwendet, kann es technische Störungen von Funkverbindungen verursachen. Es kann jedoch nicht garantiert werden, dass bei einer spezifischen Installation keine Interferenzen auftreten. Wenn dieses Gerät schädliche Interferenzen beim Radio- oder Fernsehempfang verursacht – was Sie feststellen können, indem Sie das Gerät an- und ausschalten – empfehlen wir Ihnen, die Interferenzen mit einer oder mehreren der folgenden Maßnahmen zu korrigieren:

- Richten Sie die Empfangsantenne neu aus, oder ändern Sie ihren Standort.
- Erhöhen Sie den Abstand zwischen dem Gerät und dem Empfänger.
- Verbinden Sie das Gerät mit einer Steckdose, die mit einem anderen Stromkreis als der Receiver verbunden ist.
- Bitten Sie den Verkäufer oder einen erfahrenen Radio/Fernsehtechniker um Hilfe.

Dieses Gerät erfüllt Teil 15 der FCC-Richtlinien. Seine Nutzung unterliegt den folgenden beiden Bedingungen: (1) Dieses Gerät darf keine funktechnischen

Störungen verursachen, und (2) dieses Gerät darf in seiner Funktion durch von außen verursachte Störungen nicht beeinflusst werden.

Achtung: Jegliche Änderungen oder Modifizierungen an diesem Gerät, die nicht ausdrücklich von Huawei Technologies Co., Ltd. hinsichtlich der Einhaltung der Richtlinien genehmigt wurden, können dazu führen, dass die Zulassung des Benutzers zum Betrieb des Gerätes verfällt.

Rechtliche Hinweise

Copyright © Huawei Technologies Co., Ltd. 2015. Alle Rechte vorbehalten.

DIESES DOKUMENT DIENT NUR ZU INFORMATIONSZWECKEN UND ENTHÄLT KEINERLEI GEWÄHRLEISTUNGEN.

Datenschutzrichtlinie

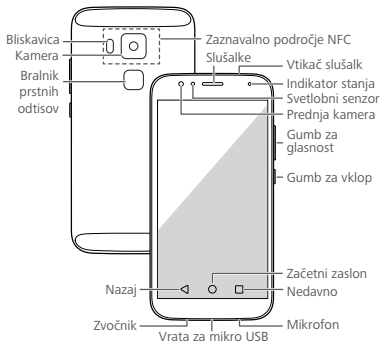
Damit Sie besser verstehen, wie wir Ihre persönlichen Daten schützen, lesen Sie bitte die Datenschutzrichtlinie unter <http://consumer.huawei.com/privacy-policy>.

Hiter pregled telefona

Preden začnete, si oglejte svoj novi telefon.

Za vklop ali izklop telefona pritisnite gumb za vklop in ga zadržite.

- i** Za prisilen ponovni zagon telefona pritisnite in zadržite gumb za vklop, dokler telefon ne zavibrira.

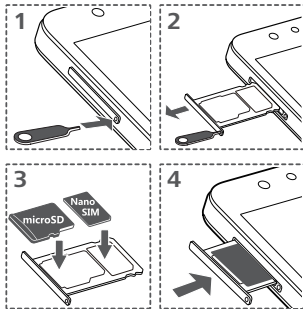


Prvi koraki

Za nastavitev telefona sledite navodilom na spodnjih slikah. Kadar je telefon vklopljen, ne vstavljajte in ne odstranjajte kartice SIM.

⊘ Pri uporabi igle za izmetalo kartice SIM bodite previdni, da si ne poškodujete prstov oz. da ne pride do poškodb telefona. Iglo hranite na varnem mestu zunaj dosega otrok, da je ti po nesreči ne zaužijejo oz. da se z njo ne poškodujejo.

⚠ Kartico SIM vstavite v ustrezno režo za kartico in tako zagotovite, da jo telefon prepozna.



Za več informacij

Preberite Hitra navodila za začetek, ki so priložena vaši napravi.

Če želite prebrati uporabniški priročnik in informacije o storitvah ali poiskati pomoč na spletnem forumu, odprite program **HiCare**.

Če želite prenesti uporabniški priročnik za svojo napravo (skupaj z varnostnimi informacijami) ter prebrati pogosto zastavljena vprašanja, Pravilnik o zasebnosti in druge informacije, pojdite na spletno stran

<http://consumer.huawei.com/en/>.

Če želite prebrati pravne informacije, pojdite v meni **Nastavitve > O telefonu > Pravne informacije**.

Najnovejše podatke za stik za vašo državo ali območje najdete na spletni strani

<http://consumer.huawei.com/en/support/hotline/>.

- i** Vse slike in ilustracije v tem priročniku, vključno vendar ne omejeno na barvo telefona, velikost in vsebino zaslona, so samo za vašo informacijo. Dejanski izdelek je lahko drugačen. Nič v tem priročniku ne predstavlja kakršnega koli jamstva, izrecnega ali implicitnega.

Varnostne informacije

Motenje medicinske opreme

- Upoštevajte pravila in predpise, ki jih določajo bolnišnice in zdravstveni domovi. Naprave ne uporabljajte, kjer je prepovedano.
- Nekateri brezžični naprave lahko vplivajo na delovanje pripomočkov za sluh ali srčnih spodbujevalnikov. Za dodatne informacije se obrnite na ponudnika storitev.
- Proizvajalci srčnih spodbujevalnikov priporočajo, da je med napravo in srčnim spodbujevalnikom vsaj 15 cm razdalje, da se prepreči morebitno motenje. Če uporabljate spodbujevalnik, naprave ne držite na strani telesa, na kateri je vstavljen, in je ne nosite v prednjem žepu.

Zaščita sluha pri uporabi slušalk



Da bi preprečili možno okvaro sluha, slušalk ne uporabljajte dlje časa pri veliki glasnosti.

Delovno okolje

Najprimernejše delovne temperature so od 0 °C do 35 °C, najprimernejše temperature za hrambo pa od -20 °C do 45 °C. Ekstremna vročina ali mraz lahko poškodujeta napravo ali dodatke.

Informacije o odlaganju in recikliranju



Ta simbol (s črtico ali brez nje) na napravi, baterijah (če so vključene) in/ali embalaži pomeni, da naprave, njenih električnih dodatkov (na primer slušalk, napajalnika ali kabla) in baterij ne smete odvreči kot gospodinjskih odpadkov. Teh predmetov ne smete odvreči kot nerazvrščenih mestnih odpadkov in jih morate odnesti na pooblaščen zbirališče, kjer jih bodo reciklirali ali pravilno zavrgli.

Za podrobnejše informacije o recikliranju naprave ali baterij se obrnite na lokalno mestno upravo, službo za odlaganje gospodinjskih odpadkov ali trgovino.

Odlaganje naprave in baterij (če so vključene) je predmet preoblikovane direktive WEEE (direktiva 2012/19/EU) in direktive za baterije (direktiva 2006/

66/EC). Namen ločevanja odpadne električne in elektronske opreme (WEEE) in baterij od drugih odpadkov je zmanjšanje morebitnega okoljskega vpliva in tveganja za zdravje zaradi kakršnih koli nevarnih snovi, ki so lahko prisotne.

Zmanjšanje nevarnih snovi

Ta naprava je skladna s predpisom REACH [št. predpisa (EC) 1907/2006] in preoblikovano direktivo RoHS (direktiva 2011/65/EU). Baterije (če so vključene) so skladne z direktivo za baterije (direktiva 2006/66/EC). Najnovejše informacije o skladnosti s predpisom REACH in direktivo RoHS so na voljo na naslovu <http://consumer.huawei.com/certification>.

Skladnost s predpisi EU

Uporaba na telesu

Naprava ustreza specifikacijam RF za uporabo blizu ušesa ali pri oddaljenosti 1,5 cm od telesa. Poskrbite, da dodatki naprave, kot sta etui ali tok, ne vsebujejo kovinskih komponent. Napravo držite stran od telesa, da bo zadovoljena zahteva glede razdalje.

Informacije o certificiranju (SAR)

Ta naprava ustreza smernicam glede izpostavljenosti radijskim valovom.

Vaša naprava je radijski oddajnik in sprejemnik nižje zmogljivosti. Kot priporočajo mednarodne smernice, je naprava oblikovana tako, da ne presega omejitev glede izpostavljenosti radijskim valovom. Te smernice je določila neodvisna znanstvena organizacija ICNIRP (International Commission on Non-ionizing Radiation Protection) in vključujejo varnostne ukrepe, oblikovane tako, da zagotavljajo varnost vseh uporabnikov, ne glede na njihovo starost in zdravstveno stanje.

SAR (Specific Absorption Rate – specifična mera absorpcije) je merska enota za količino radiofrekvenčne energije, ki jo pri uporabi naprave absorbira telo.

Vrednost SAR je določena pri najvišji certificirani ravni zmogljivosti v laboratorijskih pogojih, toda dejanska vrednost SAR med delovanjem je lahko precej nižja. Razlog za to je, da je naprava oblikovana tako, da pri minimalni zmogljivosti doseže omrežje.

Omejitev SAR v Evropi je povprečno 2,0 W/kg na 10 gramov tkiva, in najvišja vrednost SAR za to napravo ustreza tej omejitvi.

Najvišja vrednost SAR, sporočena za to vrsto naprave za ušesno uporabo, je 1,44 W/kg, za pravilno nošenje na telesu pa 0,56 W/kg.

Izjava

S tem podjetje Huawei Technologies Co., Ltd. navaja, da je ta naprava skladna z bistvenimi zahtevami in drugimi ustreznimi predpisi direktive 1999/5/EC in direktive 2011/65/EU.

Če si želite ogledati deklaracijo o skladnosti, pojdite na <http://consumer.huawei.com/certification>.

Izdelek vključuje naslednjo oznako:

CE 0197

To napravo lahko uporabljate v vseh državah članicah EU.

Pri uporabi naprave upoštevajte državne in lokalne predpise.

Uporaba te naprave je lahko glede na lokalno omrežje omejena.

Omejitve v 2,4-GHz pasu:

Norveška: Ta podrazdelek ne velja za geografsko območje v radiju 20 km od centra mesta Ny-Ålesund.

Skladnost s predpisi FCC

Uporaba na telesu

Naprava ustreza specifikacijam RF za uporabo blizu ušesa ali pri oddaljenosti 1,5 cm od telesa. Poskrbite, da dodatki naprave, kot sta etui ali tok, ne vsebujejo kovinskih komponent. Napravo držite stran od telesa, da bo zadovoljena zahteva glede razdalje.

Informacije o certificiranju (SAR)

Ta naprava je oblikovana tako, da ustreza zahtevam glede izpostavljenosti radijskim valovom, ki jih določa ameriška zvezna komisija za komunikacije (FCC).

Omejitev SAR, ki velja za ZDA, je povprečno 1,6 W/kg na en gram tkiva.

Najvišja vrednost SAR, sporočena organizaciji IC za to vrsto naprave, je znotraj te omejitve.

Najvišja vrednost SAR, sporočena organizaciji FCC za to vrsto naprave za ušesno uporabo, je 1,18 W/kg, za pravilno nošenje na telesu 0,87 W/kg in za uporabo funkcije dostopne točke Wi-Fi 1,32 W/kg.

Izjava FCC

Ta oprema je preskušena in v skladu s 15. delom pravil FCC ustreza omejitvam za digitalne naprave razreda B. Te omejitve so oblikovane tako, da omogočajo sprejemljivo zaščito pred škodljivimi motnjami pri namestitvi v mestnem okolju. Ta oprema ustvarja, uporablja in lahko seva radiofrekvenčno energijo. Če ni nameščena in uporabljena v skladu z navodili, lahko moti radijske komunikacije. Vendar ni nobenega jamstva, da določena namestitvev ne bo povzročala motenj. Če ta naprava moti radijski ali televizijski sprejem, kar lahko določite tako, da opremo izklopite in nato znova vklopite, uporabnikom priporočamo, da poskušajo odpraviti motnje na enega od naslednjih načinov:

- Obrnite sprejemno anteno ali jo postavite na drugo mesto.
- Povečajte razdaljo med opremo in sprejemnikom.
- Opremo priključite v vtičnico, ki je v drugem vezju kot sprejemnik.
- Za pomoč se obrnite na ponudnika ali izkušenega radijskega ali televizijskega tehnika.

Ta naprava ustreza 15. delu pravil FCC. Za uporabo morata biti zadovoljena naslednja pogoja: (1) ta naprava ne sme povzročati motenj; in (2) ta naprava mora sprejemati kakršne koli motnje, vključno z motnjami, ki lahko povzročijo neželeno delovanje naprave.

Opozorilo: Kakršne koli spremembe ali popravki te naprave, katerih združljivosti ni izrecno odobrilo podjetje Huawei Technologies Co., Ltd., lahko razveljavijo uporabnikovo pravico do uporabe opreme.

Pravna obvestila

Copyright © Huawei Technologies Co., Ltd. 2015. Vse pravice pridržane.

TA DOKUMENT JE ZGOLJ INFORMATIVEN IN NE DAJE OSNOVE ZA NOBENA JAMSTVA.

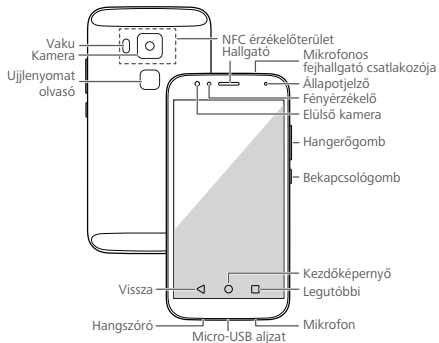
Pravilnik o zasebnosti

Če želite bolje razumeti, kako varujemo vaše osebne podatke, preberite pravilnik o zasebnosti na naslovu <http://consumer.huawei.com/privacy-policy>.

A telefon áttekintése

Mielőtt használni kezdené, vessünk egy pillantást az új telefonjára.
Tartsa nyomva a bekapcsoló gombot a telefon bekapcsolásához.

- i** A telefon kényszerített újraindításához tartsa nyomva a bekapcsoló gombot, amíg a készülék nem rezeg.

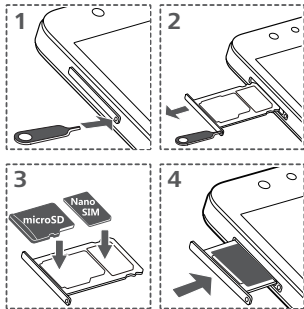


Első lépések

Kövesse az utasításokat az alábbi ábrákon a telefon beállításához. Bekapcsolt állapotban ne helyezzen be, illetve ne távolítson el SIM kártyát.

⊘ Kérjük, óvatosan használja a SIM kivevő tűt, hogy elkerülje a sérülést, vagy a telefon károsodását. Tárolja biztonságos helyen a tűt, gyerekektől elzárva, nehogy lenyeljék, vagy sérülést okozzanak maguknak.

⚠ Helyezze a SIM kártyát a megfelelő foglalatba, hogy a telefon fel tudja ismerni azt.



További információ

Olvassa el a készülékhez mellékelt Gyors útmutatót.

A **HiCare** megnyitásával olvashatja el a felhasználói útmutatót és szolgáltatási információkat, vagy kérhet segítséget online fórumokon.

A <http://consumer.huawei.com/hu/> oldalról letöltheti a felhasználói útmutatót a készülékéhez (beleértve a biztonsági előírásokat), és elolvashatja a GYLK-et, adatvédelmi szabályzatot és egyéb információkat.

A **Beállítások > A telefonról > Jogi információk** oldalon olvashat jogi tájékoztatást.

Látogasson a <http://consumer.huawei.com/en/support/hotline/> oldalra a legfrissebb kapcsolati információért az országában vagy régiójában.

- i** Az útmutatóban szereplő összes kép és illusztráció, beleértve, de nem kizárólag a telefon színe, mérete, képernyőn szereplő tartalma csak tájékoztató jellegű. A tényleges termék ettől eltérő lehet. Az útmutatóban szereplő tartalmak nem jelentenek semmire garanciát, sem kifejezetten, sem hallgatólagosan.

Biztonsági tudnivalók

Ebben a fejezetben a készülék működésére vonatkozó, fontos információkat talál. Ezenkívül a készülék biztonságos használatáról is tájékozódhat.

Figyelmesen olvassa végig ezeket a tudnivalókat a készülék használatának megkezdése előtt.

Elektronikus készülék

Ne használja a készüléket, ha a használata tiltva van. Ne használja a készüléket, ha használata veszélyes lehet, illetve ha más elektromos eszközökben interferenciát idézne elő.

Interferencia orvosi berendezésekkel

- Kérjük, azzal kapcsolatban, hogy a mobiltelefon zavarhatja-e az orvosi eszközök működését, kérje orvosa és a készülék gyártójának tanácsát.
- Tartsa be a kórházakban és egészségügyi intézményekben érvényes utasításokat és rendelkezéseket. Ne használja az eszközt ott, ahol a használata tiltott.

- Egyes vezetékmentes eszközök negatív hatással lehetnek a hallókészülékekre vagy a pacemakerekre (szívritmus-szabályozókra). További tájékoztatásért forduljon a szolgáltatóhoz.
- A szívritmusszabályzó készülékek gyártói azt javasolják, hogy a készülék és a szívritmusszabályzó készülék között legalább 15 cm távolság legyen az esetleges interferencia elkerülése érdekében. Amennyiben szívritmusszabályzót használ, az eszközt a szívritmusszabályzóval ellentétes oldalon használja, és ne hordja a mellényzsebében.

Hallásvédelem mikrofonos fülhallgató használata esetén



- Halláskárosodás elkerülése érdekében ne hallgasson sokáig magas hangerőn.
- Ha mikrofonos fülhallgatót magas hangerőn használ, az kárt tehet a hallásában. A kockázat csökkentése érdekében a mikrofonos fülhallgató hangerejét csökkentse biztonságos és kényelmes szintre.

- Vezetés közben a magas hangerő elterelheti a figyelmét, ami balesetveszélyt okozhat.

Robbanásveszélyes környezet

Robbanásveszélyes környezetben kapcsolja ki a készüléket, és tartson be minden figyelmeztető jelzést és utasítást. A robbanásveszélyes környezetnek minősülnek egyebek között az olyan területek, ahol szokásos esetben arra kéri, hogy kapcsolja ki a gépjármű motorját. Ilyen helyen a szikrák keletkezése robbanást vagy tüzet okozhat, és testi sérüléshez vagy akár halálesethez is vezethet. Ne kapcsolja be a készüléket üzemanyagtöltő állomáson, például benzinkútnál. Üzemanyagraktárakban, tárolóhelyeken, elosztóközpontokban és vegyi üzemekben tartsa be a rádióberendezések üzemeltetésére vonatkozó korlátozásokat. Tartsa be a korlátozásokat az olyan helyeken is, ahol robbantásokat végeznek. A készülék használata előtt figyeljen azokra a robbanásveszélyes környezeteket jelentő helyekre, amelyeket általában (de nem minden esetben) jól láthatóan jelölnek. Ilyen hely például a hajók belseje, a vegyi anyagok átrakását vagy tárolását végző létesítmények, illetve az olyan

helyek, ahol a levegő vegyi anyagokat vagy részecskéket, például szemcséket, port vagy fémport tartalmaz. A cseppfolyósított szénhidrogéngázzal (pl. propán-bután gázzal) hajtott járművek gyártóitól érdeklődj meg, hogy a készülék biztonságosan használható-e ezek környezetében.

Közlekedésbiztonság

- A készüléket a helyi jogszabályokkal és előírásokkal összhangban használja. A balesetveszély megelőzése érdekében ne használja a vezeték nélküli eszközt vezetés közben.
- A vezetésre koncentráljon. A legfontosabb az, hogy biztonságosan vezessen.
- Ne tartsa kézben a készüléket vezetés közben. Használjon a kezet szabadon hagyó kiegészítőket.
- Ha telefonálnia kell vagy fogadnia egy hívást, előbb biztonságosan húzódjon le az útról, és parkoljon le.
- A rádiófrekvenciás jelek befolyásolhatják a gépjárművek elektronikus rendszereit. További információkat a jármű gyártójától szerezhet.

- Gépjárműben ne helyezze a készüléket a légzsák fölé vagy a légzsák működési területére. Ha erre nem ügyel, akkor a készülék a légzsák felfúvódásának nagy ereje miatt sérülést okozhat önnek.
- Ne használja a készüléket, miközben repülőn utazik, illetve közvetlenül a repülőgépbe történő beszállás előtt. A vezeték nélküli eszközök repülőgépen történő használata megzavarhatja a vezeték nélküli hálózatokat, veszélyt jelenthet a repülőgép működésére, illetve jogszabályba ütközhet.

Működtetési környezet

- Kerülje a poros, nedves, illetve piszkos környezetet. Kerülje a mágneses mezőket. Ha a készüléket ilyen környezetben használja, az az áramkörök üzemzavarát okozhatja.
- Ne használja a készüléket vihar idején, hogy megelőzze a villámcsapás által okozott esetleges károkat.

- Ideális működtetési hőmérséklet: 0 °C – 35 °C. Ideális tárolási hőmérséklet: -20 °C – 45 °C. A túlságos meleg és hideg kárt tehet a készülékben és a tartozékokban.
- Ne tegye ki a készüléket hosszabb ideig közvetlen napfénynek (például egy autó műszerfalán).
- A készülék és a tartozékok tűz és áramütés veszélye elleni védelme érdekében óvja őket az esőtől és a nedvességtől.
- Tartsa a készüléket távol a hőforrásoktól és a tüztől, mint például a fűtőtestektől, mikrohullámú sütőktől, gázégőktől, vízmelegítőktől, radiátoroktól, gyertyáktól.
- Ne helyezzen éles fémtárgyakat, például gombostűt a fülhallgató vagy a hangszóró közelébe. A fülhallgató ugyanis magához vonzhatja őket, és aztán a használat során sérülést okozhatnak.
- Ha a készülék túlmelegszik, ne használja tovább a készüléket, illetve az alkalmazásokat. Ha a bőre hosszabb ideig érintkezik a felmelegedett

készülékkel, akkor alacsony hőmérsékletre jellemző égési tünetek, például piros pöttyök vagy elszíneződés jelenhet meg rajta.

- A kamera vakujával ne világítson közvetlenül emberek vagy állatok szemébe. Ez ugyanis időleges látásvesztést, illetve a szem károsodását okozhatja.
- Ne érintse meg a készülék antennáját. Máskülönben a kommunikáció minősége romolhat.
- Ne engedje gyerekeknek, háziállatoknak, hogy a készülékbe vagy az alkatrészekbe harapjanak, azokat szopogassák. Ez ugyanis károsodáshoz, illetve robbanáshoz vezethet.
- Tartsa be a helyi jogszabályokat és előírásokat, és tartsa tiszteletben mások magánéletét és törvényes jogait.

Gyermekek biztonsága

- Tartsa be a gyermekek biztonságára vonatkozó összes óvintézkedést. Ha gyermekeknek megengedi, hogy játsszanak a készülékkel vagy

tartozékaival, az veszélyes lehet. A készülék egyes részei leválhatnak, és így fennállhat a fulladás kockázata. Tartsa a készüléket távol a gyermekektől.

- A készülék és kiegészítői nem gyermekek számára készültek. Gyermekek csak felnőtt felügyeletével használhatják a készüléket.

Tartozékok

- Jóvá nem hagyott vagy nem kompatibilis elektromos adapter, töltő vagy akkumulátor használata tűzveszélyhez, robbanáshoz vagy más veszélyhelyzethez vezethet.
- Csak az eszköz gyártója által a jelen modellhez jóváhagyott tartozékokat használjon. Bármely más típusú tartozék használata érvénytelenítheti a garanciát, helyi jogszabályokba ütközhet, illetve veszélyhelyzethez vezethet. Kérjük, az ön tartózkodási helyén kapható, jóváhagyott tartozékokról érdeklődjön az értékesítőnél.

A töltő biztonságos használata

- Az áramforráshoz csatlakoztatható készülék esetén a konnektornak a készülék közelében és könnyen hozzáférhetőnek kell lennie.

- Ha nem használja, húzza ki a töltőt a konnektorból és a készülékből.
- A töltőt ne ejtse le, és ne hagyja, hogy megütődjön.
- Ne használja a tápkábelt, ha az sérült (például látszik a drót vagy megtört a kábel), vagy ha csatlakozódugó lötyög. Ha mégis tovább használja, az áramütést, rövidzárlatot vagy tüzet idézhet elő.
- Ne nyúljon a tápkábelhez nedves kézzel, és ne próbálja a töltőt a tápkábelnél fogva kihúzni.
- Ne érintse meg nedves kézzel a készüléket, illetve a töltőt. Ha mégis így tesz, az rövidzárlatot, üzemzavart vagy áramütést idézhet elő.
- Ha a töltőt víz vagy más folyadék, illetve jelentős mennyiségű nedvesség érte, vizsgáltassa be szakszervizben.
- Ügyeljen, hogy a töltő feleljen meg az IEC60950-1/EN60950-1/UL60950-1 szabvány 2.5 pontjában foglalt követelményeknek. Az elektromos adapter tesztelésének és jóváhagyásának a helyileg érvényes szabványoknak megfelelően kell megtörténnie.

- A készüléket csak olyan termékekhez csatlakoztassa, amelyeken megtalálható az USB-IF logó, illetve amelyek megfeleltek az USB-IF megfelelőségi programban.

Biztonságos akkumulátorhasználat

- Ne kösse össze az akkumulátor pólusait vezető anyaggal, például kulcsokkal, ékszerekkel vagy más fémmel. Ez ugyanis rövidre zárhatja az akkumulátort, ami sérülést, égést okozhat.
- Tartsa az akkumulátort távol a túlzott hőtől és a közvetlen napfénytől. Ne helyezze hőt fejlesztő eszközökre vagy eszközökbe, például mikrohullámú sütőbe, sütőbe vagy radiátorra. A túlmelegedett akkumulátor felrobbanhat.
- Ne kísérelje meg módosítani átszerelni az akkumulátort, ne kíséreljen meg külső tárgyakat helyezni belé, ne merítse víz alá és ne tegye ki víznek vagy más folyadékoknak. Ha mégis így tesz, az tüzet, robbanást vagy más veszélyhelyzetet idézhet elő.
- Ha az akkumulátor szivárog, ügyeljen, hogy az elektrolit ne érintkezzen közvetlenül a bőrével és a szemével. Ha az elektrolit a bőrére kerül vagy a szemébe fröccsen, akkor azonnal mossa le, illetve ki tiszta vízzel, és forduljon orvoshoz.
- Ha az akkumulátor töltés vagy tárolás közben deformálódik, színe megváltozik vagy túlmelegszik, akkor azonnal hagyja abba a készülék használatát, és távolítsa el az akkumulátort. Ha tovább használja, az elektrolitszivárgáshoz, tűzhez vagy robbanáshoz vezethet.
- Az akkumulátort ne dobja tűzbe, mert felrobbanhat. A sérült akkumulátorok is felrobbanhatnak.
- A használt akkumulátorokat a helyi előírásoknak megfelelően selejtezze le. Az akkumulátorok nem megfelelő kezelése tüzet, robbanást vagy más veszélyhelyzetet idézhet elő.
- Ne engedje gyerekeknek, háziállatoknak, hogy az akkumulátorba harapjanak, azt szopogassák. Ez ugyanis károsodáshoz, illetve robbanáshoz vezethet.

- Ne zúzza össze, ne szúrja fel az akkumulátort, és ne tegye ki magas külső nyomásnak. Ha mégis így tesz, az rövidzárlatot vagy túlmelegedést idézhet elő.
- Ne ejtse le a készüléket és az akkumulátort. Ha a készülék vagy az akkumulátor leesik, különösen kemény felületre, akkor megsérülhet.
- Ha a készülék rendelkezésre állási ideje jelentősen lerövidül, cserélje ki az akkumulátort.
- A készülékben beépített, el nem távolítható akkumulátor található. Ne kísérelje meg eltávolítani az akkumulátort, mert kárt tehet a készülékben. Az akkumulátor cseréjéhez vigye a készüléket hivatalos márkaszervizbe.

Tisztítás és karbantartás

- Tartsa a készüléket és a tartozékokat szárazon. A szárítást ne kísérelje meg külső hőforrás, például mikrohullámú sütő vagy hajszárító használatával.
- A készüléket és a tartozékokat ne tegye ki túlságos melegnek vagy hidegnek. Az ilyen környezet ugyanis zavarhatja a normál működést, és tüzet vagy robbanást idézhet elő.

- Kerülje az ütődéseket, mert azok a készülék üzemzavarát, túlmelegedését, illetve felrobbanását idézhetik elő.
- A készülék használatát tisztítás és karbantartás előtt hagyja abba, állítsa le az összes alkalmazást, és húzza ki az összes csatlakoztatott kábelt.
- A készülék és a tartozékok tisztításához ne használjon vegyszeres mosószeret, port vagy egyéb vegyi anyagot (például alkoholt vagy benzint). Ezek az anyagok kárt tehetnek az alkatrészekben, illetve tüzet okozhatnak. A készülék és az alkatrészek tisztításához tiszta, puha, száraz rongyot használjon.
- Ne helyezzen hosszabb időre mágneses csíkot tartalmazó kártyákat, például bankkártyát és telefonkártyát a készülék közelébe. Ha mégis így tesz, az károsíthatja a mágnescsíkos kártyát.
- Ne szedje szét, illetve szerelje át a készüléket és annak tartozékait. Ha mégis így tesz, az érvényteleníti a garanciát és a gyártó káreseményekért viselt felelősségét. Bármilyen hiba esetén segítség vagy javítás céljából vegye fel a kapcsolatot a márkaszervizzel.

- Ha a készülék képernyője ütődéstől eltörik, azonnal fejezze be a készülék használatát. Ne nyúljon hozzá, és ne kísérelje meg eltávolítani a törött részeket. Azonnal forduljon hivatalos márkaszervizhez.

Segélyhívások

A segélyhívások lehetősége a mobilhálózat minőségétől, a szolgáltató szabályzatától és a helyi jogszabályoktól függ. Kritikus fontosságú kommunikáció céljára, például orvosi vészhelyzetben soha ne hagyatkozzon kizárólag a készülékre.

Hulladékkezelési és újrahasznosítási tudnivalók



A készüléken és/vagy a csomagolásán, valamint az esetlegesen mellékelt akkumulátorokon látható ezen szimbólum (esetenként csík nélkül) azt jelenti, hogy a készüléket és elektromos tartozékait (mikrofonos fülhallgató, töltő, kábel), valamint az akkumulátort a háztartási hulladékoktól elkülönítve kell leselejtezni. Ezen elemeket nem szabad a válogatatlan háztartási

hulladékkal leselejtezni, azokat újrahasznosítás, illetve megfelelő hulladékfeldolgozás érdekében hivatalos gyűjtőpontokra kell vinni. A készülék és az akkumulátor leselejtezésének részleteivel kapcsolatban forduljon a helyi önkormányzathoz, a hulladékszállító/-gyűjtő vállalathoz, illetve az eladóhoz.

A készülék és az esetlegesen mellékelt akkumulátor leselejtésére az átdolgozott WEEE-irányelv (2012/19/EU irányelv) és az Akkumulátor-irányelv (2006/66/EK irányelv) vonatkozik. Az elektromos és elektronikus berendezéseket, valamint akkumulátorokat azért fontos elkülöníteni a többi hulladéktól, hogy ezáltal a minimálisra csökkentsük a bennük esetleg megtalálható veszélyes anyagok a környezetre vagy az emberi egészségre gyakorolt hatását.

Veszélyes anyagok elleni védelem

Ez az eszköz megfelel a REACH-rendeletnek [1907/2006 EK sz. rendelet] és az átdolgozott RoHS-irányelvnek (2011/65/EU irányelv). Az esetlegesen mellékelt akkumulátorok megfelelnek az Akkumulátor-irányelvnek (2006/66/EK irányelv). A REACH és RoHS rendelkezéseinek való megfelelésről

részletesebben a <http://consumer.huawei.com/certification> weboldalon tájékozódhat.

EU-előírásoknak való megfelelés

Testközei használat

A készülék fülhöz tartás vagy a testtől való 1,5 cm-es távolság esetén megfelel a rádiófrekvenciás berendezésekkel szembeni előírásoknak. Ügyeljen, hogy a készülékhez ne használjon fémből készült kiegészítőket, például tokot vagy tartót. A távolsági megfelelés biztosítása érdekében a készüléket tartsa el a testétől.

Tanúsítványadatok (SAR)

Ez az eszköz megfelel a rádióhullámoknak való kitettségre vonatkozó irányelveknek.

Ez az eszköz egy kis teljesítményű rádió adó-vevő. A készüléket a nemzetközi irányelvekkel összhangban úgy tervezték és kiviteleztek, hogy rádiófrekvenciás energiakibocsátása ne haladja meg a megfelelő határértékeket. Ezeket az irányelveket egy független, nemzetközi tudományos szervezet, a Nemzetközi Nem-ionizáló Sugárvédelemi Bizottság (ICNIRP) dolgozta ki, biztonsági

előírásaik minden felhasználó biztonságát szavatolják életkortól és egészségi állapottól függetlenül.

Az SAR (fajlagos abszorpciós ráta) a test által a készülék használata közben felfogott rádiófrekvenciás energia mértékegysége. Az SAR-értéket a laboratóriumi körülmények között mért legmagasabb energiaszint alapján határozzák meg, de a működés közben fellépő tényleges SAR-szint ennél jóval alacsonyabb. Ennek az az oka, hogy a készülék csak a hálózat eléréséhez szükséges minimális energiát használja a kommunikációhoz.

A SAR-korlát értéke Európában 2,0 W/kg 10 gramm testszövetre vonatkozóan átlagolva. A készülék legmagasabb SAR-értéke megfelel ennek a határértéknek.

Az ezen eszköztípusra vonatkozóan jelentett legmagasabb SAR-érték a fül közelében történő használat tesztelésekor 1,44 W/kg, a testen megfelelően viselve pedig 0,56 W/kg.

Nyilatkozat

A Huawei Technologies Co., Ltd. ezennel kijelenti, hogy ez az eszköz az 1999/5/EK irányelv és a 2011/65/EU irányelv alapvető követelményeinek és egyéb vonatkozó rendelkezéseinek megfelel.

A megfelelőségi nyilatkozat a <http://consumer.huawei.com/certification> címen érhető el.

A termékre a következő jelölések vonatkoznak:

CE 0197

A készülék az EU minden tagállamában használható.

A készülék használatakor tartsa be az országos és helyi jogszabályokat.

A helyi hálózattól függően a készülék használata korlátozás alá eshet.

Korlátozások a 2,4 GHz-es sávban:

Norvégia: Ez az alfejezet nem vonatkozik Ny-Ålesund központjának 20 km-es földrajzi körzetére.

FCC-megfelelőség

Testközei használat

A készülék fülhöz tartás vagy a testtől való 1,5 cm-es távolság esetén megfelel a rádiófrekvenciás berendezésekkel szembeni előírásoknak. Ügyeljen, hogy a

készülékhez ne használjon fémből készült kiegészítőket, például tokot vagy tartót. A távolsági megfelelőség biztosítása érdekében a készüléket tartsa el a testétől.

Tanúsítványadatok (SAR)

A készüléket úgy tervezték, hogy megfeleljen az USA-beli Szövetségi Kommunikációs Bizottság (FCC) által a rádióhullámoknak való kitettségre vonatkozóan meghatározott követelményeknek.

Az USA területén alkalmazott SAR-korlát 1,6 W/kg 1 gramm testszövetre vonatkozóan átlagolva. Az FCC-nek készült jelentés szerint a készülék legmagasabb SAR-értéke megfelel ennek a határértéknek.

Az ezen eszköztípusra vonatkozóan az FCC-nek jelentett legmagasabb SAR-érték a fül közelében történő használatkor 1,18 W/kg, a testen megfelelően viselve 0,87 W/kg, a Wi-Fi hotspot funkció használata közben pedig 1,32 W/kg.

FCC-nyilatkozat

Ezt a berendezést ellenőrizték, és úgy találták, hogy megfelel a B osztályú digitális eszközökre megszabott határértékeknek, az FCC-szabályok 15. részében szereplő előírások szerint. Ezek a határértékek lakóövezetben is

ésszerűen megfelelő védelmet biztosítanak a káros interferenciák ellen. Ez a berendezés rádiófrekvenciás jeleket hoz létre, használ, és ilyen energiát képes kibocsátani. Amennyiben nem az előírásoknak megfelelően helyezik üzembe és használják, a rádióhullámú kommunikációban káros interferenciát okozhat. Arra viszont nincsen biztosíték, hogy adott helyzetben nem fog fellépni interferencia. Ha a készülék káros interferenciát okoz a rádió- vagy televízióadás vételében, ami a készülék ki-bekapcsolásával felismerhető, az interferenciát az alábbi módok valamelyikével vagy együttesével próbálhatja meg kiküszöbölni:

- Helyezze át vagy forgassa el a vevőantennát.
- Növelje a berendezés és a vevőkészülék közötti távolságot.
- Csatlakoztassa a berendezést és a vevőkészüléket két különböző áramkörön lévő hálózati konnektorba.
- Segítségért forduljon a készülék forgalmazójához vagy egy tapasztalt rádió-/tévészerezőhöz.

Ez a készülék megfelel az FCC szabályok 15. részében foglalt követelményeknek. A működtetés két feltétele: (1) Ez a készülék nem okozhat

káros interferenciát, és (2) ennek a készüléknek el kell viselnie minden beérkező interferenciát, beleértve az esetleg nem kívánt működést okozó interferenciákat is.

Figyelem: A Huawei Technologies Co., Ltd. megfelelőséget megerősítő, kifejezett beleegyezése nélküli módosítás vagy átalakítás esetén a felhasználó elveszítheti azt a jogát, hogy az eszközt működtesse, használhassa.

Jogi nyilatkozat

Copyright © Huawei Technologies Co., Ltd. 2015.

Minden jog fenntartva.

EZ A DOKUMENTUM INFORMÁCIÓS CÉLOKAT SZOLGÁL, ÉS SEMMILYEN GARANCIA ALAPJÁNAK NEM TEKINTENDŐ.

Adatvédelmi irányelv

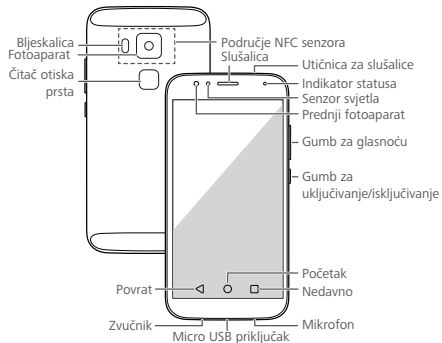
Ha szeretné jobban megismerni, hogyan védjük személyes adatait, olvassa el adatvédelmi irányelvünket a <http://consumer.huawei.com/privacy-policy> címen.

Brzi uvod u telefon

Proći ćemo par jednostavnih koraka prije nego li počnete koristiti svoj novi telefon.

Pritisnite i držite gumb za uključivanje/isključivanje kako biste uključili ili isključili telefon.

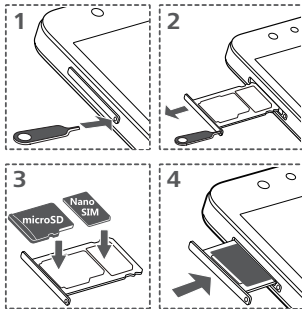
- i** Za uključivanje telefona pritisnite i držite gumb za uključivanje sve dok telefon ne zavibrira.



Početak

Slijedite upute na sljedećim slikama kako biste postavili telefon. Ne umećite i ne uklanjajte SIM karticu dok je telefon uključen.

- ⊘ Budite oprezni pri uporabi igle za izbacivanje SIM kartice kako ne biste ozlijedili prste ili oštetili telefon. Spremite iglu na sigurno mjesto podalje od dohvata djece kako biste bili sigurni da je neće progutati ili se slučajno ozlijediti.
- ⚠ Umetnite SIM karticu u odgovarajući utor za karticu kako biste se uvjerali da je telefon može prepoznati.



Za dodatne informacije

Pročitajte vodič za početak rada priložen uređaju.

Otvorite **HiCare** kako biste pročitali korisničke upute i servisne informacije ili kako biste potražili pomoć na internetskom forumu.

Podite na **Postavke > O telefonu > Pravne informacije** kako biste pročitali pravne informacije.

Posjetite <http://consumer.huawei.com/en/support/hotline/> za najnovije informacije za kontaktiranje za vašu državu ili regiju.

- i** Sve slike i ilustracije u ovom vodiču, uključujući bez ograničenja boju telefona, veličinu i sadržaj prikaza su navedeni samo kao referenca. Stvarni proizvod može se razlikovati. Ništa u ovom vodiču ne predstavlja ikakvu garanciju, izričitu ili impliciranu.

Informacije o sigurnosti

Ometanje rada medicinske opreme

- Poštujte pravila i propise bolnica i zdravstvenih ustanova. Ne rabite uređaj na mjestima gdje je to zabranjeno.
- Neki bežični uređaji mogu utjecati na rad slušnih aparata ili srčanih elektrostimulatora. Za više informacija obratite se svom davatelju usluga.
- Proizvođači srčanih elektrostimulatora preporučuju da se održava najmanja udaljenost od 15 cm između uređaja i srčanog elektrostimulatora kako bi se izbjegle moguće smetnje elektrostimulatora. Rabite li srčani elektrostimulator, uređaj držite na strani suprotnoj od elektrostimulatora i ne nosite ga u prednjem džepu.

Zaštita sluha prilikom uporabe slušalica



Kako biste spriječili moguće oštećenje sluha, izbjegavajte dugotrajno slušanje uz veliku glasnoću.

Radno okruženje

Idealna radna temperatura je od 0°C do 35°C. Idealna temperatura skladištenja je od -20°C do 45°C. Prekomjerna vrućina ili hladnoća mogu oštetiti uređaj ili dodatnu opremu.

Informacije o odlaganju i recikliranju



Ovaj simbol (sa ili bez crte) na uređaju, baterije (ako su priložene), i/ili pakiranje znači kako se uređaj i njegova električna dodatna oprema (na primjer slušalice, adapter ili kabel) i baterije ne smiju odlagati u smeće iz kućanstva. Ti se predmeti ne smiju odlagati kao nerazdvojeni komunalni otpad i potrebno ih je odvesti na ovlaštenu centar za zbrinjavanje otpada na recikliranje

ili propisno zbrinjavanje.

Više informacija o recikliranju uređaja ili baterije zatražite u uredu općine, od tvrtke za zbrinjavanje komunalnog otpada ili u maloprodajnoj trgovini.

Odlaganje uređaja i baterija (ako su priložene) podložno je novoj direktivi WEEE (direktiva o otpadnoj električnoj i elektroničkoj opremi) (direktiva 2012/19/EU) i direktivi o baterijama (direktiva 2006/66/EZ). Svrha odvajanja električne i

elektroničke opreme i baterija od ostalog otpada jest kako bi se na najmanju mjeru sveo mogući ekološki utjecaj opasnih tvari i rizik za ljudsko zdravlje.

Smanjenje opasnih tvari

Ovaj uređaj sukladan je s uredbom REACH (registracija, procjenjivanje, odobravanje i ograničavanje kemijskih tvari) [uredba (EZ) br. 1907/2006] i novom direktivom RoHS (direktiva o ograničenju opasnih tvari) (direktiva 2011/65/EU). Baterije (ako su priložene) sukladne su s direktivom o baterijama (direktiva 2006/66/EZ). Ažurne informacije o sukladnosti s direktivama REACH i RoHS potražite na web-mjestu <http://consumer.huawei.com/certification>.

Usklađenost s propisima EU

Nošenje na tijelu

Uređaj je u skladu s RF specifikacijama kada se koristi u blizini vašeg uha ili na udaljenosti od 1,5 cm od vašeg tijela. Provjerite da dodatna oprema uređaja, kao što su torbica i držač uređaja, ne sadrži metalne dijelove. Uređaj držite podalje od tijela, sukladno propisu o udaljenosti.

Podaci o sukladnosti (SAR)

Ovaj uređaj ispunjava smjernice o izloženosti radiovalovima.

Uređaj je primopredajnik male snage. Sukladno preporukama međunarodnih smjernica, uređaj je osmišljen tako da ne prelazi granične vrijednosti izloženosti radiovalovima. Smjernice koje je uspostavila Međunarodna komisija za zaštitu od neionizirajućeg zračenja (International Commission on Non-Ionizing Radiation Protection, ICNIRP), neovisna znanstvena organizacija, obuhvaćaju sigurnosne mjere za osiguranje zaštite svih korisnika, bez obzira na njihovu dob i zdravstveno stanje.

Specifična apsorbirana snaga (Specific Absorption Rate, SAR) rabi se za mjerenje radiofrekvencijske energije koju tijelo apsorbira tijekom uporabe uređaja. Vrijednost SAR-a određuje se pri najvećoj odobrenoj razini snage u laboratorijskim uvjetima, međutim stvarna razina SAR-a pri radu može biti i manja od te vrijednosti. Razlog tome je što je telefon dizajniran tako da rabi minimalnu snagu potrebnu za uspostavljanje veze s mrežom.

Ograničenje za vrijednost SAR u Europi je 2,0 W/kg u prosjeku na 10 grama tkiva, a najviša vrijednost SAR za ovaj uređaj u skladu je s ovim ograničenjem.

Najviša prijavljena vrijednost SAR za ovu vrstu uređaja pri testiranju na uhu iznosi 1,44 W/kg, a pri pravilnom nošenju na tijelu 0,56 W/kg.

Izjava

Huawei Technologies Co., Ltd. ovime izjavljuje da je ovaj uređaj usklađen sa svim bitnim zahtjevima i ostalim relevantnim odredbama direktive 1999/5/EZ i direktive 2011/65/EU.

Izjavu o sukladnosti možete pronaći na web-mjestu <http://consumer.huawei.com/certification>.

Na ovom proizvodu nalaze se sljedeće oznake:

CE 0197

Ovaj se uređaj smije rabiti u svim državama članicama EU.

Poštujte nacionalne i lokalne propise na području u kojem rabite uređaj.

Uporaba ovog uređaja može biti ograničena, ovisno o lokalnoj mreži.

Ograničenja za pojas od 2,4 GHz:

Norveška: Ovaj pododjeljak nije primjenjiv na zemljopisno područje unutar polumjera od 20 km od centra Ny-Ålesunda.

Sukladnost s FCC

Nošenje na tijelu

Uređaj je u skladu s RF specifikacijama kada se koristi u blizini vašeg uha ili na udaljenosti od 1,5 cm od vašeg tijela. Provjerite da dodatna oprema uređaja, kao što su torbica i držač uređaja, ne sadrži metalne dijelove. Uređaj držite podalje od tijela, sukladno propisu o udaljenosti.

Podaci o sukladnosti (SAR)

Ovaj uređaj proizveden je kako bi zadovoljio zahtjeve za izlaganjem radiovalovima koje je utemeljila Federalna komunikacijska komisija (SAD). Odobrena granična vrijednost SAR u SAD-u iznosi 1,6 W/kg na prosječno 1 gram tkiva. Najviša vrijednost SAR prijavljena FCC-u za uređaj ovog tipa sukladna je s ovim ograničenjem.

Najviša vrijednost SAR prijavljena organizaciji FCC za ovu vrstu uređaja pri uporabi na uhu iznosi 1,18 W/kg, pri pravilnom nošenju na tijelu 0,87 W/kg, a pri uporabi funkcije Wi-Fi pristupne točke 1,32 W/Kg.

Izjava FCC-a

Ova je oprema testirana i utvrđeno je da je usklađena s ograničenjima za digitalne uređaje klase B, sukladno dijelu 15 Pravila FCC. Ova su ograničenja sastavljena radi pružanja razumne zaštite od štetnih smetnji u stambenoj instalaciji. Ova oprema stvara, rabi i može zračiti radiofrekvencijsku energiju i, ako se ne instalira i ne koristi u skladu s uputama, može izazvati štetne smetnje u radijskim komunikacijama. Međutim, nema jamstava da se takve smetnje neće dogoditi u određenoj instalaciji. Ako ova oprema uzrokuje štetne smetnje u radijskom ili televizijskom prijemu, što se može utvrditi uključivanjem i isključivanjem opreme, korisniku se savjetuje da pokuša ispraviti smetnje pomoću jedne ili više od sljedećih mjera:

- Preorijentirajte ili premjestite prijemnu antenu.
- Povećajte udaljenost između opreme i prijarnika.

Priključite uređaj u utičnicu na strujnom krugu različitom od onog na koji je priključen prijamnik.

--Posavjetujte se s prodavačem ili nekim iskusnim radio/TV mehaničarom.

Ovaj uređaj je usklađen s člankom 15. FCC Pravila. Njegov rad podliježe dvama uvjetima: (1) ovaj uređaj ne smije uzrokovati štetne smetnje i (2) ovaj uređaj mora prihvaćati sve primljene smetnje, uključujući i smetnje koje mogu uzrokovati neželjen rad.

Opres: Bilo kakve izmjene ili modifikacije uređaja koje nisu izričito odobrene od strane Huawei Technologies Co., Ltd. mogu poništiti pravo korisnika na rad s ovom opremom.

Pravna napomena

Autorska prava © Huawei Technologies Co., Ltd.

2015. Sva prava pridržana.

OVAJ DOKUMENT SLUŽI ISKLJUČIVO U INFORMATIVNE SVRHE I NE PREDSTAVLJA JAMSTVO BILO KOJE VRSTE.

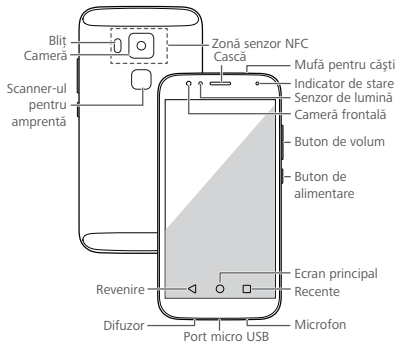
Pravila o privatnosti

Kako biste bolje shvatili na koji način štitimo vaše osobne podatke, pročitajte pravila o privatnosti na <http://consumer.huawei.com/privacy-policy>.

Telefonul pe scurt

Mai întâi, vă prezentăm câteva informații de bază privind telefonul.
Apăsați lung butonul de alimentare pentru a porni sau opri telefonul.

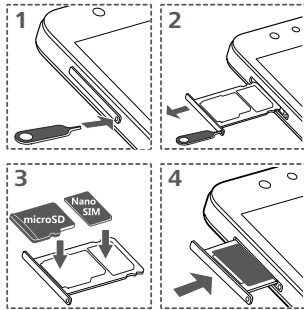
- i** Pentru a porni forțat telefonul, apăsați lung butonul de pornire până când telefonul vibrează.



Să începem

Urmați instrucțiunile din următoarele figuri pentru a vă configura telefonul. Nu introduceți sau scoateți o cartelă SIM atunci când telefonul este pornit.

- ⊘ Manifestați atenție atunci când utilizați acul de scoatere a cartelei SIM pentru a evita rănirea degetelor sau deteriorarea telefonului. Depozitați acul într-un loc sigur, departe de accesul copiilor, pentru a evita înghițirea acestuia sau rănirea lor accidentală.
- ⚠ Introduceți cartela SIM în fanta corespunzătoare a cardului pentru a vă asigura că telefonul o poate recunoaște.




Pentru mai multe informații

Citiți Ghidul de pornire rapidă care însoțește dispozitivul dvs. Deschideți **HiCare** pentru a citi ghidul de utilizare și informațiile de service sau pentru a obține ajutor prin intermediul forumului online.

Mergeți la <http://consumer.huawei.com/en/> pentru a descărca ghidul de utilizare pentru dispozitivul dvs. (inclusiv informațiile privind siguranța) și citiți întrebările frecvente, politica de confidențialitate, dar și alte informații.

Mergeți la **Setări > Despre telefon > Informații de ordin juridic** pentru a citi informațiile legale.

Vizitați <http://consumer.huawei.com/en/support/hotline/> pentru cele mai recente informații de contact pentru țara sau regiunea dvs.

-  Toate fotografiile și ilustrațiile din acest ghid, incluzând dar fără a se limita la culoarea telefonului, dimensiunea și conținutul afișat, sunt cu caracter informativ. Produsul în sine poate fi diferit. Nimic din acest ghid nu constituie o garanție de niciun fel, expresă sau implicită.

Informații despre siguranță

Această secțiune conține informații importante despre exploatarea aparatului dumneavoastră. De asemenea, conține informații despre utilizarea în siguranță a dispozitivului. Citiți aceste informații cu atenție înainte de a folosi dispozitivul.

Dispozitive electronice

Nu utilizați dispozitivul dacă este interzis acest lucru. Nu folosiți dispozitivul atunci când utilizarea acestuia cauzează pericole sau interferențe cu alte dispozitive electronice.

Interferențe cu echipamentul medical

- Consultați doctorul dvs. și producătorul dispozitivului pentru a afla dacă utilizarea unui telefon poate deranja funcționarea dispozitivului dvs. medical.
- Urmați normele și regulamentele stabilite de către spitale și unitățile sanitare. Nu utilizați dispozitivul în locurile în care este interzis.

- Unele dispozitive fără fir ar putea afecta performanța aparatelor auditive sau a stimulatoarelor cardiace. Consultați furnizorul dvs. de servicii pentru mai multe informații.
- Producătorii de stimuloare cardiace recomandă să se păstreze o distanță minimă de 15 cm între un dispozitiv și stimulatorul cardiac, pentru a evita eventualele interferențe cu stimulatorul cardiac. Dacă folosiți un stimulator cardiac, utilizați dispozitivul în partea opusă față de stimulatorul cardiac și nu purtați dispozitivul în buzunarul din față.

Protejarea auzului la folosirea căștilor



- Pentru a preveni posibila deteriorare a auzului, nu ascultați sunetul la un volum ridicat perioade lungi de timp.
- Utilizarea căștilor la volum ridicat vă poate afecta auzul. Pentru a reduce riscul, fixați volumul căștilor la un nivel sigur și confortabil.

- Expunerea la un volum ridicat al sunetului în timp ce conduceți vă poate distra atenția și poate crește riscul producerii unui accident.

Medii cu pericol de explozie

Opriti dispozitivul în orice zonă cu pericol de explozie și respectați toate indicatoarele și instrucțiunile. Zonele cu pericol de explozie includ zonele în care vi se solicită oprirea motorului vehiculului. Producerea de scântei în astfel de zone ar putea cauza explozii sau incendii, provocând răniri sau chiar decese. Nu porniți dispozitivul în puncte de realimentare cum sunt stațiile de combustibil. Respectați restricțiile privind utilizarea echipamentelor radio în depozitele de combustibil, în zonele de depozitare și distribuție și în uzinele chimice. În plus, conformați-vă restricțiilor din zonele în care se derulează operațiuni de detonare. Înainte de a utiliza dispozitivul, verificați dacă nu vă aflați într-un mediu cu pericol de explozie; acestea sunt marcate clar în majoritatea cazurilor, însă nu întotdeauna. Astfel de zone includ cabinele de sub punte ale ambarcațiunilor, unitățile de transfer sau depozitare a substanțelor chimice și zonele în care aerul conține substanțe chimice sau

particule cum ar fi granule, praf sau pulberi metalice. Întrebați producătorii de vehicule care utilizează gaz petrolier lichefiat (cum ar fi propanul sau butanul) dacă acest dispozitiv poate fi utilizat în siguranță în vecinătatea acestora.

Siguranța în trafic

- Respectați legile și reglementările locale atunci când utilizați dispozitivul. Pentru a reduce riscul producerii accidentelor, nu utilizați dispozitivul fără fir în timp ce șofați.
- Concentrați-vă asupra șofatului. Prima dumneavoastră responsabilitate este să șofați în siguranță.
- Nu țineți în mână dispozitivul în timp ce șofați. Utilizați accesorii hands-free (mâini libere).
- Când trebuie să efectuați sau să preluați un apel, mai întâi ieșiți în afara benzii carosabile și parcați.
- Semnalele de radiofrecvență (RF) pot afecta sistemele electronice ale autovehiculelor. Pentru informații suplimentare, contactați producătorul autovehiculului.

- În autovehicule, nu poziționați dispozitivul peste airbag sau în zona de degajare a airbagului. Dacă procedați astfel, vă puteți răni din cauza forței deosebite cu care este expulzat airbagul.
- Nu utilizați dispozitivul atunci când vă aflați la bordul unei aeronave sau înainte de îmbarcare. Utilizarea dispozitivelor wireless într-o aeronavă poate întrerupe rețelele wireless, poate prezenta un pericol pentru funcționarea aeronavei sau poate fi ilegală.

Mediul de utilizare

- Evitați mediile cu praf, umezeală și murdărie. Evitați câmpurile magnetice. Utilizarea dispozitivului în aceste medii poate duce la defecțiuni la circuite.
- Nu utilizați dispozitivul în timpul furtunilor cu descărcări electrice, pentru a proteja dispozitivul de riscul fulgerelor.
- Temperaturile ideale de funcționare sunt între 0 °C și 35 °C. Temperaturile ideale de depozitare sunt între -20 °C și 45 °C. Căldura extremă sau frigul extrem pot deteriora dispozitivul sau accesoriile.

- Nu expuneți dispozitivul în bătaia directă a razelor de soare (cum ar fi pe bordul unei mașini) pentru perioade lungi de timp.
- Pentru a proteja dispozitivul sau accesoriile sale de riscul șocurilor electrice sau al incendiilor, evitați ploaia și umezeala.
- Feriți dispozitivul de sursele de căldură și flacără, cum ar fi un radiator, un cuptor cu microunde, încălzitor de apă sau o lumânare.
- Nu amplasați obiecte ascuțite de metal, cum sunt agrafele, lângă difuzor. Difuzorul poate atrage aceste obiecte și pot rezulta leziuni.
- Dacă dispozitivul este supraîncălzit, opriți utilizarea sau a aplicațiilor pentru o perioadă. Dacă pielea este expusă la un dispozitiv supraîncălzit o perioadă mai lungă de timp, pot apărea simptome de arsuri la temperaturi mici, cum ar fi pete roșii sau o pigmentație mai închisă.
- Nu utilizați blițul camerei de la dispozitiv direct în ochii persoanelor sau al animalelor favorite. În caz contrar, se pot produce pierderea temporară a vederii sau leziuni ale ochilor.

- Nu atingeți antena dispozitivului. În caz contrar, calitatea comunicațiilor se poate reduce.
- Nu permiteți copiilor sau animalelor de casă să muște din dispozitiv sau din accesorii. Procedând astfel, se poate ajunge la stricăciuni sau explozii.
- Respectați legislația și reglementările locale și respectați drepturile legale și intimitatea altor persoane.

Siguranța copiilor

- Respectați toate precauțiile referitoare la siguranța copiilor. Dacă lăsați copii să se joace cu dispozitivul sau accesoriile, se poate crea o situație periculoasă. Dispozitivul include piese detașabile care prezintă risc de sufocare dacă sunt înghițite. Nu lăsați la îndemâna copiilor.
- Dispozitivul și accesoriile nu sunt destinate a fi folosite de copii. Copii pot folosi dispozitivul doar sub supravegherea adulților.

Accesorii

- Utilizarea unui încărcător sau a unei baterii incompatibile sau neaprobată poate produce incendii, explozii sau alte situații periculoase.
- Alegeți doar accesorii aprobate pentru utilizarea cu acest model de către producătorul dispozitivului. Utilizarea oricărui alt tip de accesoriu poate duce la anularea garanției, poate reprezenta o încălcare a reglementărilor și legislației locale și poate fi periculoasă. Luați legătura cu magazinul de desfacere pentru informații despre disponibilitatea accesoriilor aprobate disponibile în zona dvs.

Siguranța în ceea ce privește încărcătorul

- Pentru dispozitivele conectabile la rețeaua electrică, priza de curent trebuie instalată în apropierea dispozitivelor și trebuie să fie ușor accesibilă.
- Scoateți încărcătorul din priza electrică și din dispozitiv atunci când nu este utilizat.
- Nu scăpați pe jos încărcătorul și nu îl supuneți la șocuri.

- În cazul în care cablul de alimentare este deteriorat (de exemplu cordonul este expus sau întrerupt) sau dacă mufa se slăbește, încetați imediat să îl mai utilizați. Folosirea în continuare poate produce șocuri electrice, scurtcircuite sau incendii.
- Nu atingeți cablul de alimentare cu mâinile ude și nu trageți de cablu pentru a deconecta încărcătorul.
- Nu atingeți dispozitivul sau încărcătorul cu mâinile ude. În caz contrar, se pot produce scurtcircuite, șocuri electrice sau funcționare defectuoasă.
- Dacă încărcătorul a fost expus la apă, alte lichide sau umiditate excesivă, duceți-l la un centru de service autorizat pentru inspecție.
- Aveți grijă ca încărcătorul să respecte cerințele Clauzei 2.5 din IEC60950-1/EN60950-1/UL60950-1 și să fie testat și aprobat în conformitate cu standardele naționale și locale.
- Conectați dispozitivul doar la produse cu sigla USB-IF sau care au certificarea pentru programul de conformitate USB-IF.

Siguranța în ceea ce privește bateria

- Nu conectați bornele bateriei cu materiale bune conductoare, cum ar fi cheile, bijuteriile sau alte obiecte metalice. Dacă procedați astfel, se poate produce scurtcircuitarea bateriei și se pot produce leziuni sau arsuri.
- Nu țineți bateria la căldură excesivă sau în bătaia directă a razelor de soare. Nu puneți bateria pe dispozitive de încălzit, cum ar fi cuptoarele de microunde, cuptoare sau radiatoare. Dacă este supraîncălzită, bateria poate să explodeze.
- Nu încercați să modificați bateria, să introduceți obiecte străine în ea, să o scufundați în apă sau în alte lichide. Procedând astfel se pot produce incendii, explozii sau alte situații periculoase.
- Dacă bateria prezintă scurgeri, asigurați-vă că electrolitul nu vă ajunge pe piele sau în ochi. În cazul în care electrolitul ajunge pe piele sau vă sare în ochi, spălați-vă imediat ochii cu apă curată și consultați medicul.
- În cazul în care bateria se deformează, își schimbă culoarea sau se supraîncălzește în timpul încărcării sau depozitării, opriți imediat utilizarea dispozitivului și scoateți bateria. Folosirea în continuare poate produce scurgerea bateriei, incendii sau explozii.
- Nu aruncați bateriile în foc întrucât acestea pot să explodeze. De asemenea, bateriile stricate pot să explodeze.
- Depozitați corect la deșeuri bateriile uzate, în conformitate cu reglementările locale. Utilizarea necorespunzătoare a bateriei poate produce incendii, explozii sau alte situații periculoase.
- Nu permiteți copiilor sau animalelor de casă să muște din baterie. Procedând astfel, bateria se poate strica sau poate exploda.
- Nu sfărâmați bateria și nu o supuneți la presiuni externe mari. Procedând astfel, se poate produce un scurtcircuit sau bateria se poate supraîncălzi.
- Nu scăpați pe jos dispozitivul sau bateria. Dacă dispozitivul sau bateria sunt scăpate pe jos, în special pe o suprafață tare, se pot strica.

- Dacă perioada în care dispozitivul stă în așteptare se scurtează semnificativ, înlocuiți bateria.
- Dispozitivul are o baterie încorporată, care nu se scoate. Nu încercați să scoateți bateria, pentru că riscați să stricați dispozitivul. Pentru înlocuirea bateriei, duceți dispozitivul la un centru de service autorizat.

Curățarea și întreținerea

- Mențineți dispozitivul și accesoriile uscate. Nu încercați să le uscați cu o sursă externă de căldură, cum ar fi un cuptor cu microunde sau un uscător de păr.
- Nu expuneți dispozitivul sau accesoriile la condiții extreme de temperatură. Un mediu de acest gen poate interfera cu funcționarea corespunzătoare și poate conduce la incendii sau explozii.
- Evitați loviturile, pot conduce la o funcționare defectuoasă, supraîncălzire, incendii sau explozii.
- Înainte de a curăța sau întreține dispozitivul, opriți utilizarea, închideți toate aplicațiile și deconectați cablurile de la dispozitiv.
- Nu utilizați niciun fel de detergenți, pudră sau alți agenți chimici (cum ar fi alcoolul sau benzenul) pentru a curăța dispozitivul sau accesoriile. Aceste substanțe pot strica piesele sau prezintă risc de incendiu. Folosiți o lavetă curată, moale și uscată pentru a curăța dispozitivul și accesoriile.
- Nu așezați lângă dispozitiv carduri cu bandă magnetică, cum sunt cardurile bancare sau cele telefonice, pentru o perioadă lungă de timp. În caz contrar, benzile magnetice de la carduri pot fi deteriorate.
- Nu demontați și nu remanufacturați dispozitivul și accesoriile acestuia. Acestea anulează garanția și eliberează producătorul de răspunderea pentru defectarea dispozitivului. În cazul oricărei defecțiuni, contactați un centru de service autorizat pentru asistență sau reparații.
- Dacă ecranul dispozitivului se sparge în urma unui șoc mecanic, opriți imediat utilizarea dispozitivului. Nu atingeți și nu încercați să demontați piesele sparte. Contactați imediat un centru de service autorizat.

Apeluri de urgență

Disponibilitatea de a efectua apeluri de urgență depinde de calitatea rețelei celulare, politica furnizorului de servicii și legile și reglementările locale. Nu vă bazați niciodată numai pe dispozitiv pentru comunicații critice, cum ar fi urgențele medicale.

Informații referitoare la eliminare și reciclare



Acest simbol (cu sau fără o bară solidă) de pe dispozitiv, baterii (dacă sunt incluse), și/sau ambalaj indică faptul că dispozitivul și accesoriile sale electrice (de exemplu, căști, încărcător sau cablu) și bateriile nu trebuie eliminate ca și deșeuri menajere obișnuite. Aceste articole nu trebuie aruncate împreună cu deșeurile menajere nesortate, ci trebuie duse la un punct de colectare

certificat pentru reciclarea sau eliminarea corespunzătoare.

Pentru informații detaliate despre reciclarea dispozitivului și a bateriilor, contactați primăria, serviciul de colectare a deșeurilor menajere sau un magazin de desfacere.

Eliminarea dispozitivului și a bateriilor (dacă sunt incluse) se supune prevederilor Directivei de reformare DEEE (Directiva 2012/19/UE) și Directivei privind bateriile (Directiva 2006/66/CE). Motivul separării bateriilor și deșeurilor electronice și electrocasnice de alte deșeuri este minimizarea impactului substanțelor periculoase asupra mediului și asupra sănătății umane.

Reducerea substanțelor periculoase

Acest dispozitiv este conform cu Regulamentul REACH [Regulamentul Nr. 1907/2006 (CE)] și Directiva RoHS (Directiva 2011/65/UE). Bateriile (dacă sunt incluse) sunt conforme cu Directiva privind bateriile (Directiva 2006/66/CE). Pentru informații actualizate despre conformitatea cu directivele REACH și RoHS, vizitați site-ul web <http://consumer.huawei.com/certification>.

Conformitatea cu reglementările UE

Utilizarea în apropierea corpului

Dispozitivul respectă specificațiile privind frecvențele radio atunci când este folosit lângă ureche sau la o distanță de 1,5 cm față de corp. Asigurați-vă că accesoriile dispozitivului, cum ar fi husele sau tocurile, nu sunt confecționate

din componente metalice. Păstrați dispozitivul la distanță de corp, pentru a îndeplini cerințele privind distanța.

Informații despre certificare (SAR)

Dispozitivul respectă recomandările privitoare la expunerea la unde radio. Dispozitivul dumneavoastră funcționează ca emițător și receptor de unde radio de mică putere. Conform recomandărilor internaționale, dispozitivul este proiectat pentru a nu depăși limitele de expunere la unde radio. Aceste recomandări au fost dezvoltate de organizația științifică independentă International Commission on Non-Ionizing Radiation Protection (ICNIRP) și include măsuri în vederea asigurării siguranței tuturor utilizatorilor, indiferent de vârstă sau de starea sănătății.

Rata specifică de absorbție (SAR) este unitatea de măsură pentru cantitatea de energie de radiofrecvență absorbită de corp în timpul utilizării unui dispozitiv. Valoarea SAR este determinată la puterea maximă atestată în condiții de laborator, însă nivelul SAR real al dispozitivului în timpul funcționării poate fi mult mai mic decât această valoare. Se întâmplă astfel deoarece dispozitivul este conceput să utilizeze energia strict necesară pentru a accesa rețeaua.

Limita SAR adoptată și de Europa are valoarea medie de 2,0 W/kg pe 10 grame de țesut, iar cea mai mare valoare SAR pentru acest dispozitiv se încadrează în această limită.

Cea mai mare valoare SAR raportată pentru acest tip de dispozitiv este de 1,44 W/kg când este testat la ureche și de 0,56 W/kg când este purtat corect lângă corp.

Declarație de conformitate

Prin prezenta, Huawei Technologies Co., Ltd. declară că acest dispozitiv este în conformitate cu reglementările esențiale și cu alte prevederi relevante ale Directivei 1999/5/CE și Directivei 2011/65/UE.

Pentru declarația de conformitate, vizitați site-ul web <http://consumer.huawei.com/certification>.

Următorul marcaj este inclus în produs:

CE 0197

Acest dispozitiv poate fi utilizat în toate statele membre ale UE.

Respectați reglementările naționale și locale din zona în care este folosit dispozitivul.

Acest dispozitiv poate fi restricționat la utilizare, în funcție de rețeaua locală.

Restricții în banda de 2,4 GHz:

Norvegia: Această subsecțiune nu se aplică pentru zona geografică cu o rază de 20 km de la centrul Ny-Ålesund.

Declarația de conformitate cu reglementările FCC

Utilizarea în apropierea corpului

Dispozitivul respectă specificațiile privind frecvențele radio atunci când este folosit lângă ureche sau la o distanță de 1,5 cm față de corp. Asigurați-vă că accesoriile dispozitivului, cum ar fi husele sau tocurele, nu sunt confecționate din componente metalice. Păstrați dispozitivul la distanță de corp, pentru a îndeplini cerințele privind distanța.

Informații despre certificare (SAR)

Acest dispozitiv este proiectat pentru a îndeplini și cerințele privind expunerea la undele radio stabilite de Federal Communications Commission (FCC) (USA). Limita SAR adoptată de S.U.A. are valoarea medie de 1,6 W/kg pe un gram de țesut. Cea mai mare valoare SAR raportată către FCC pentru acest tip de dispozitiv se încadrează în această limită.

Cea mai mare valoare SAR raportată către FCC pentru acest tip de dispozitiv este de 1,18 W/kg la utilizarea la ureche și de 0,87 W/kg când este purtat corect lângă corp, iar la folosirea funcției hotspot Wi-Fi este de 1,32 W/Kg.

Declarație de conformitate FCC (Federal Communications Commission)

Acest echipament a fost testat și este considerat a fi în conformitate cu limitele pentru dispozitivele digitale din Clasa B, conform secțiunii 15 din Reglementările FCC. Aceste limite sunt menite să ofere o protecție rezonabilă contra interferențelor dăunătoare în cazul instalării la domiciliu. Acest aparat generează, utilizează și poate emite frecvențe radio și, dacă nu este instalat și utilizat în conformitate cu instrucțiunile, poate cauza interferențe dăunătoare comunicațiilor radio. Nu există totuși nicio garanție că nu vor apărea

interferențe la o anumită instalare. Dacă acest echipament cauzează interferență periculoasă recepției radio sau de televiziune, lucru ce poate fi determinat prin oprirea și pornirea echipamentului, utilizatorul este încurajat să încerce să corecteze interferența printr-una sau mai multe dintre măsurile următoare:

- Reorientați sau re poziționați antena de recepție.
- Creșteți distanța dintre echipament și receptorul bruiat.
- Conectați echipamentul la o priză de pe un circuit diferit de cel la care este conectat receptorul.
- Contactați distribuitorul sau un tehnician radio/TV cu experiență pentru a primi asistență.

Acest dispozitiv îndeplinește cerințele Părții 15 din Reglementările FCC. Funcționarea trebuie să fie în conformitate cu următoarele două condiții: (1) acest dispozitiv nu poate provoca interferențe dăunătoare și (2) acest dispozitiv trebuie să accepte orice interferențe primite, inclusiv interferențe care pot provoca o funcționare nedorită.

Atenție: Orice modificări efectuate asupra acestui dispozitiv care nu sunt aprobate în mod expres de Huawei Technologies Co., Ltd. ca fiind conforme pot duce la retragerea autorizării utilizatorului de a opera echipamentul.

Aviz juridic

Copyright © Huawei Technologies Co., Ltd. 2015.

Toate drepturile rezervate.

ACEST DOCUMENT ARE EXCLUSIV UN SCOP INFORMATIV ȘI NU REPREZINTĂ NICIUN FEL DE GARANȚIE.

Politica de confidențialitate

Pentru a înțelege cum protejăm informațiile personale, consultați politica de confidențialitate la <http://consumer.huawei.com/privacy-policy>.

Кратък преглед на телефона

Преди да започнете да го ползвате, запознайте се накратко с новия си телефон.

Натиснете със задържане бутона за захранване, за да включите или изключите телефона си.

- i** За да рестартирате принудително телефона си, натиснете със задържане бутона за захранването, докато телефонът започне да вибрира.

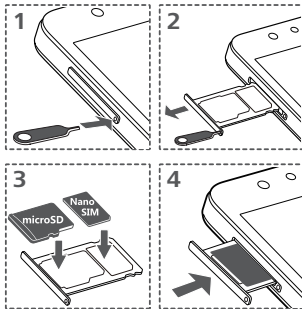


Първи стъпки

Следвайте инструкциите на следните фигури за настройване на телефона ви. Не поставяйте и не изваждайте SIM карта, когато телефонът е включен.


⊘ Моля, бъдете внимателни, когато използвате щифт за изваждане на SIM карта, за да се избегне нараняване на пръстите ви или повреждане на телефона. Съхранявайте щифта на безопасно място извън обсега на деца, за да не могат случайно да го глътнат или да се наранят.

⚠ Поставете SIM картата в съответния слот за карта, за да може да бъде разпознат от телефона.



За повече информация

Прочетете ръководство „Първи стъпки“ от комплекта на телефона. Отворете **HiCare**, за да прочетете ръководството за потребителя и сервизната информация или да получите помощ от онлайн форума. Отидете на <http://consumer.huawei.com/en/>, за да изтеглите ръководството за потребителя за вашето устройство (включително информацията за безопасност) и да прочетете „Често задавани въпроси“, политика за поверителност и друга информация. Отидете на **Настройки > Всичко за телефона > Правна информация**, за да прочете правната информация. Моля, посетете <http://consumer.huawei.com/en/support/hotline/> за най-актуалната информация за контакти за вашата страна или регион.

 Всички снимки и илюстрации в настоящото ръководство, включително, но не само цветът и големината на телефона, и съдържанието на видимата информация, са само за ваше сведение. Реалният продукт може да се различава от тях. Нищо

в настоящото ръководство не представлява каквато и да е гаранция - изрична или подразбираща се.

Информация за безопасност

Смущения спрямо медицинско оборудване

- Спазвайте правилата и разпоредбите, определени от болниците и здравните служби. Не използвайте устройството на забранени места.
- Някои безжични устройства могат да повлияят на работата на слуховите апарати или кардиостимулаторите. Консултирайте се с вашия мобилен оператор за повече информация.
- Производителите на кардиостимулатори препоръчват да се спазва минимално разстояние от 15 см между устройството и кардиостимулатора, за да се предотвратят евентуални нарушения в работата на кардиостимулатора. Ако използвате

кардиостимулатор, дръжте устройството на срещуположната страна спрямо кардиостимулатора и не носете устройството в предния си джоб.

Опазване на слуха ви при използване на слушалки



За да се избегне евентуално увреждане на слуха, не слушайте с много силен звук продължително време.

Среда за работа

Идеалните работни температури са от 0 °C до 35 °C. Идеалните температури за съхранение са от -20 °C до 45 °C. Прекомерната топлина или студ могат да повредят устройството или принадлежностите му.

Информация за изхвърляне и рециклиране



Този символ (със или без плътна лента) на устройството, батериите (ако са включени) и/или опаковката показва, че устройството и неговите електрически принадлежности (напр. слушалки, адаптер или кабел) и батерии не трябва да се изхвърля като битови отпадъци. Тези елементи не трябва да се изхвърлят като несортиран общински отпадък, а трябва да се занесат в

сертифициран обект за сметосъбиране, където да бъдат рециклирани или правилно бракувани.

За по-подробна информация относно устройството или рециклирането на батерията се свържете с вашия местен градски съвет, фирма за сметосъбиране или магазина, от който е купено устройството.

Изхвърлянето на устройството и батериите (ако са включени) е предмет на изменената WEEE директива (Директива 2012/19/ЕС) и директивата за батериите (Директива 2006/66/ЕК). Целта на отделянето на отпадъците от електрическо и електронно оборудване

и батериите от останалите отпадъци е да се сведе до минимум потенциалното негативно въздействие върху околната среда и човешкото здраве на всякакви опасни субстанции, които може да съдържат.

Намаляване на опасните вещества

Това устройство е съвместимо с разпоредбата REACH [Разпоредба (ЕК) No 1907/2006] и преработената директива RoHS (Директива 2011/65/ЕС). Батериите (ако са включени) са съвместими с директивата за батериите (Директива 2006/66/ЕК). За актуална информация относно съвместимостта с REACH и RoHS посетете уеб сайта <http://consumer.huawei.com/certification>.

Съответствие с нормативните изисквания на Европейския съюз

Експлоатация със закрепване към тялото

Устройството е в съответствие със спецификациите за радиочестотно излъчване при употреба в близост до ухото или на

разстояние 1,5 см от тялото. Уверете се, че принадлежностите на устройството, напр. кутия и калъф, не съдържат метални компоненти. Дръжте устройството встрани от тялото си, за да отговорите на изискванията за разстояние.

Сертификационна информация (SAR)

Това устройство отговаря на указанията за облъчване с радиовълни. Вашето устройство е радиопредавател и приемник с ниска мощност. Както се препоръчва от международните указания, устройството е създадено така, че да не надхвърля ограниченията за излагане на радиовълни. Тези указания са разработени от независимата научна организация Международна комисия за защита от нейонизираща радиация (ICNIRP) и включват мерки за безопасност, чиято цел е да гарантират безопасността на потребителите, независимо от тяхната възраст и здравословно състояние.

За измерване на количеството радиочестотно облъчване, погълнато от тялото при използване на дадено устройство, се използва измервателната единица, известна като Специфична степен на

поглъщане или SAR. Стойността на SAR се определя при най-високите сертифицирани нива на мощност в лабораторни условия, но реалното ниво на SAR по време на работа може да бъде значително по-ниско от тази стойност. Това е така, защото устройството е проектирано да използва само толкова мощност, колкото му е необходима, за да се свърже с мрежата.

Лимитът за SAR, възприет в Европа, е 2,0 вата/кг, усреднено за 10 грама тъкан, и най-високата стойност за това устройство отговаря на лимита.

Най-високата стойност на SAR, отчетена за това устройство при тестване до ухото е 1,44 вата/кг, а когато устройството се носи по тялото е 0,56 вата/кг.

Декларация

С настоящото Huawei Technologies Co., Ltd. декларира, че това устройство е в съответствие с основните изисквания и другите приложими разпоредби на Директива 1999/5/ЕО и Директива 2011/65/ЕС.

За декларацията за съответствие посетете уеб сайта <http://consumer.huawei.com/certification>.

Следната маркировка е включена в продукта:

CE 0197

Това устройство може да се използва във всички държави-членки на Европейския съюз (ЕС).

Спазвайте националните и местните закони на мястото, където използвате устройството.

Това устройство може да има ограничения за употреба в зависимост от локалната мрежа.

Ограничения в обхвата 2,4 GHz:

Норвегия: Този подраздел не се прилага за географския район в радиус от 20 км от центъра на Ни-Алесунд.

Съвместимост с регулацията на FCC

Експлоатация със закрепване към тялото

Устройството е в съответствие със спецификациите за радиочестотно излъчване при употреба в близост до ухото или на разстояние 1,5 см от тялото. Уверете се, че принадлежностите на устройството, напр. кутия и калъф, не съдържат метални компоненти. Дръжте устройството встрани от тялото си, за да отговорите на изискванията за разстояние.

Сертификационна информация (SAR)

Това устройство е проектирано да отговаря и на изискванията за излагане на въздействието на радио вълни, поставени от Федералната комисия по съобщения (САЩ).

Граничната стойност на SAR, възприета в САЩ, е 1,6 вата/кг, усреднено за един грам тъкан. Най-високата SAR стойност, докладвана на FCC за това устройство, отговаря на този лимит. Най-високата стойност на SAR, докладвана на FCC за използване на това устройство до ухото, е 1,18 вата/кг, а когато устройството се

носи по тялото е 0,87 вата/кг и при използване на функцията за Wi-Fi точка за свързване е 1,32 вата/кг.

FCC декларация

Устройството е тествано и отговаря на ограниченията за цифрови устройства от клас В съгласно Част 15 на правилника на FCC. Тези граници са определени така, че да осигуряват разумна защита срещу вредни смущения при използване в жилищна среда. Оборудването създава, използва и може да излъчва радиочестотна енергия, и може да предизвика вредни смущения в радиокомуникациите, в случай че не се монтира и използва съгласно инструкциите. Няма гаранции обаче, че в някоя инсталация няма да възникнат смущения. Ако оборудването предизвиква вредни смущения в приемането на радио или телевизионен сигнал, което може да се установи чрез изключване и включване на оборудването, препоръчва се потребителят да опита да отстрани смущенията по някой от следните начини:

-- Пренасочване или преместване на приемащата антена.

- Увеличаване на разстоянието между оборудването и приемника.
- Включване на оборудването в електрически контакт от електрическа мрежа, различна от тази, в която е включен приемникът.

-- За помощ се консултирайте с доставчика на оборудването или с опитен радиотелевизионен техник.

Устройството е съгласувано с част 15 от правилника за FCC.

Експлоатацията е предмет на следните условия: (1) това устройство не трябва да предизвиква вредни смущения и (2) това устройство трябва да приема всякакви получени смущения, в това число смущения, които може да предизвикат нежелано функциониране.

Внимание: Всякакви промени или модификации по това устройство, които не са изрично одобрени от Huawei Technologies Co., Ltd. за съвместимост, биха могли да анулират правото на потребителя да използва това устройство.

Правна информация

© Huawei Technologies Co., Ltd. 2015. Всички права запазени.

НАСТОЯЩИЯТ ДОКУМЕНТ Е САМО ЗА ИНФОРМАЦИЯ И НЕ ПРЕДСТАВЛЯВА КАКВАТО И ДА Е ГАРАНЦИЯ.

Правила за поверителност

За да научите повече как защитаваме Вашата лична информация, моля, прочете правилата за поверителност на <http://consumer.huawei.com/privacy-policy>.

Увид во телефонот

Пред да започнете, ајде да го разгледаме телефонот.

Притиснете го и држете го притиснато копчето за вклучување за да го вклучите или исклучите телефонот.

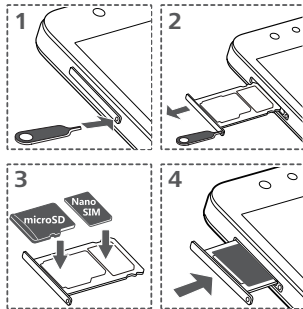
- i** За присилно рестартирање на телефонот, притиснете го и задржете го копчето за вклучување додека телефонот не почне да вибрира.



Да почнеме

Следете ги упатствата на следниве слики за да го поставите телефонот. Не ставајте и не отстранувајте SIM-картичка кога телефонот е вклучен.

- ⊘ Внимавајте кога ја користите иглата за отстранување на SIM за да не си ги повредите прстите и да не го оштетите телефонот. Ставете ја иглата на безбедно и надвор од досег на децата за да спречите да не ја голтнат и да не се повредат случајно.
- ⚠ Ставете ја SIM-картичката во правилниот отвор за картичката за да бидете сигурни дека телефонот може да ја препознае.



За повеќе информации

Прочитајте го Упатството за брз почеток што е доставено со вашиот уред.

Отворете **HiCare** за да го прочитате упатството и сервисните информации или да добиете помош од онлајн-форумот.

Одете до **Нагодување > За телефонот > Правни информации** за да ги прочитате правните информации.

Посетете го <http://consumer.huawei.com/en/support/hotline/> за најнови информации за контакт за вашата држава или регион.

- i** Сите слики и илустрации во ова упатство, вклучително и бојата и големината на телефонот и содржината на приказот, но не само тие, се дадени за Ваша информација. Самиот производ може да се разликува. Ништо во ова упатство не претставува никаква гаранција, ниту изречна ниту имплицитна.

Безбедносни информации

Пречки во медицинската опрема

- Почитувајте ги правилата и прописите што ги утврдуваат болниците и другите објекти за здравствена заштита. Не го користете уредот онаму каде што е забранета неговата употреба.
- Некои безжични уреди може да влијаат врз работата на слушните помагала или пејсмејкерите. Обратете се до давателот на услугата за повеќе информации.
- Производителите на пејсмејкери препорачуваат да се одржува најмало растојание од 15 см меѓу уредот и пејсмејкерот за да се спречат потенцијални пречки на пејсмејкерот. Ако користите пејсмејкер, користете го уредот од спротивната страна на пејсмејкерот и не го носете уредот во предниот џеб.

Заштита на слухот при користење на слушалката



За да се спречи можно оштетување на слухот, не се изложувајте на голема јачина на звукот подолг временски период.

Средина за работа

Идеални температури за работа се 0 °C до 35 °C. Идеални температури за чување се -20 °C до 45 °C. Екстремна топлина или студ може да го оштети уредот или дополнителната опрема.

Информации за одложување и рециклирање



Овој симбол (со или без полна црта) на уредот, батериите (доколку се вклучени), и/или пакувањето означува дека уредот и електричната дополнителна опрема (на пример, слушалки, адаптер, или кабел) и батериите не треба да се одложуваат заедно со другиот отпад од домаќинството. Тие предмети не треба да се

одложуваат како несортиран општински отпад и треба да се однесат во сертифициран собирен центар за рециклирање или соодветно одложување.

За подетални информации за рециклирање на уредот или батеријата, обратете се до Вашата локална градска канцеларија, службата за одложување на отпад од домаќинствата или до продавницата.

За одложувањето на уредот и батериите (доколку се вклучени) важат преработениот текст на Директивата за отпадната електрична и електронска опрема (Директива 2012/19/EУ) и Директивата за батерии (Директива 2006/66/E3). Причината поради која се одделуваат отпадната електрична и електронска опрема и батериите од останатиот отпад е да се доведе до минимум потенцијалното влијание врз околината и врз човековото здравје на опасните супстанции што може да се присутни.

Намалување на штетни супстанции

Овој уред е во согласност со Регулативата за регистрација, евалуација, авторизација и рестрикција на хемиски супстанции (REACH) [Регулатива (ЕЗ) Бр. 1907/2006] и преработениот текст на Директивата за рестрикција на употребата на одредени опасни супстанции (RoHS) (Директива 2011/65/EУ). Батериите (доколку се вклучени) се во согласност со Директивата за батерии (Директива 2006/66/EЗ). За најнови информации за усогласеноста со REACH и RoHS посетете ја веб-страницата

<http://consumer.huawei.com/certification>.

Усогласеност со прописите на ЕУ

Работа при носење на тело

Уредот е усогласен со спецификациите за радиофреквенции кога уредот се користи близу увото или на оддалеченост од 1,5 см од телото. Внимавајте дополнителната опрема на уредот, како што се кутијата и футролата, да не е направена од метални делови. Држете

го уредот подалеку од телото во согласност за барањето за оддалеченост.

Информации за сертификатот (SAR)

Овој уред ги исполнува упатствата за изложување на радиобранови. Уредот е радио-примопредавател со мала моќност. Како што е препорачано со меѓународните упатства, уредот е конструиран така што не ги надминува ограничувањата за изложеност на радиобранови. Овие упатства се изготвени од Меѓународната комисија за заштита од нејонизирачки зрачења (ICNIRP), независна научна организација, и вклучуваат безбедносни мерки составени за да осигураат безбедност за сите корисници, без оглед на возраста и здравјето.

Специфичната стапка на апсорпција (SAR) е единица мерка за количеството радиофреквентна енергија што ја апсорбира телото кога користи некој уред. Вредноста на SAR се одредува на највисокото одобрено ниво на моќност во лабораториски услови, но вистинското ниво на SAR на уредот додека работи може да е многу пониско од таа вредност. Причината за ова е тоа што уредот е

конструиран да ја користи најмалата моќност потребна за комуникација со мрежата.

Ограничувањето на SAR усвоен во Европа е 2,0 W/kg во просек на 10 грама ткиво, а највисоката вредност на SAR на овој уред е во согласност со тоа ограничување.

Највисоката вредност на SAR за овој уред при тестирање за употреба на уво е 1,44 W/kg, а кога се носи правилно на телото е 0,56 W/kg.

Изјава

Ние, Huawei Technologies Co., Ltd., изјавуваме дека овој уред е усогласен со неопходните барања и другите соодветни одредби од Директивата 1999/5/E3 и Директивата 2011/65/EУ.

За декларација за усогласеност, посетете ја веб-страницата <http://consumer.huawei.com/certification>.

Следните ознаки се вклучени во производот:

CE 0197

Овој уред може да се користи во сите земји-членки на ЕУ.

Почитувајте ги националните и локалните прописи на земјите во кои се користи уредот.

Користењето на уредот може да биде ограничено во зависност од локалната мрежа.

Ограничувања во опсегот од 2,4 GHz:

Норвешка: Овој сегмент не се применува за географската област во радиус од 20 км од центарот на Нов Алесунд.

Усогласеност со правилата на Федералната комисија за врски (FCC)

Работа при носење на тело

Уредот е усогласен со спецификациите за радиофреквенции кога уредот се користи близу увото или на оддалеченост од 1,5 см од телото. Внимавајте дополнителната опрема на уредот, како што се кутијата и футролата, да не е направена од метални делови. Држете

го уредот подалеку од телото во согласност за барањето за оддалеченост.

Информации за сертификатот (SAR)

Уредот е исто така дизајниран да ги исполни барањата за изложеност на радиобранови воспоставени од страна на Федералната комисија за врски (САД).

Ограничувањето за SAR што е прифатено во САД е 1,6 W/kg во просек на еден грам ткиво. Највисоката вредност на SAR пријавена до FCC за овој тип уред е во согласност со ова ограничување. Највисоката вредност на SAR пријавена до FCC за овој тип уред кога се користи на уво изнесува 1,18 W/kg, кога се носи правилно на телото изнесува 0,87 W/kg, а кога користи функција на Wi-Fi-точка изнесува 1,32 W/Kg.

Изјава на Федералната комисија за врски (FCC)

Оваа опрема е тестирана и утврдено е дека е во согласност со ограничувањата за дигитални уреди од Класа B, според Дел 15 од Правилата на FCC. Овие ограничувања се испланирани за да

озможат разумна заштита од штетни пречки кај инсталација во стамбени области. Оваа опрема генерира, користи и може да зрачи радиофреквентна енергија и ако не се инсталира и користи во согласност со упатствата, може да предизвика штетни пречки на радио-врските. Сепак, нема гаранција дека нема да се јават пречки во одредена инсталација. Ако опремата не предизвикува штетни пречки на радио или телевизискиот прием, што може да се одреди со вклучување и исклучување на опремата, корисникот треба да се обиде да ги коригира пречките со една или повеќе од следните мерки:

- да ја пренасочи или премести антената за прием,
- да го зголеми растојанието меѓу опремата и приемникот,
- Да ја поврзе опремата за приклучок од коло различно од она на кое е поврзан приемникот,
- да се советува со застапникот или со искусен техничар за радио/ТВ опрема за помош.

Овој уред е усогласен со Дел 15 од Правилата на FCC. Работењето подлежи на следните два услова: (1) овој уред може да не предизвика

штетни пречки, и (2) овој уред може да ја прифати секоја примена пречка, вклучувајќи пречка што може да предизвика несакано работење.

Внимание: Сите промени или модификации на овој уред што не се изречно одобрени од Huawei Technologies Co., Ltd. за усогласеност може да доведат до поништување на овластувањето за работа со опремата.

Правна напомена

Copyright © Huawei Technologies Co., Ltd.

2015. Сите права се задржани.

ОВОЈ ДОКУМЕНТ Е САМО ЗА ИНФОРМАТИВНИ ЦЕЛИ И НЕ ПРЕТСТАВУВА ГАРАНЦИЈА.

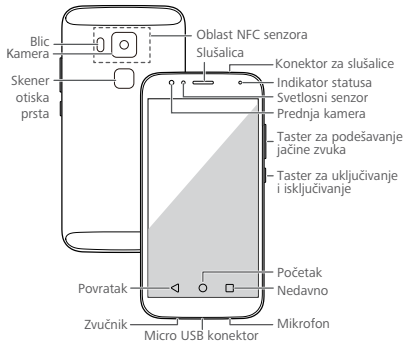
Политика за приватност

За подобро да разберете како ги заштитуваме Вашите лични податоци, видете ја политиката за приватност на <http://consumer.huawei.com/privacy-policy>.

Pregled telefona

Pre nego što počnete, hajde da pogledamo vaš novi telefon. Pritisnite i zadržite taster za uključivanje i isključivanje da biste uključili ili isključili telefon.

- i** Za prinudno ponovno pokretanje telefona, pritisnite i zadržite taster za uključivanje i isključivanje dok telefon ne zavibrira.

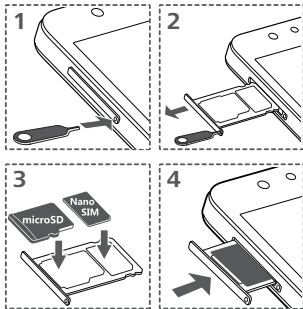


Prvi koraci

Pratite uputstva na sledećim slikama za podešavanje telefona. Nemojte postavljati niti uklanjati SIM karticu dok je telefon uključen.

⊘ Budite oprezni tokom korišćenja alata za izbacivanje SIM kartice da biste izbegli povrede prstiju ili oštećenje telefona. Alat čuvajte na bezbednom mestu, van domašaja dece, da biste sprečili da ga ona slučajno progutaju ili se povrede.

⚠ SIM karticu umetnite u odgovarajuće mesto za karticu da biste bili sigurni da će je telefon prepoznati.




Za više informacija

Za početak, pročitajte Kratko uputstvo, isporučeno sa vašim uređajem.

Idite na **Postavke > Osnovni podaci o telefonu > Zakonske informacije** da biste pročitali pravne informacije.

Posetite <http://consumer.huawei.com/en/support/hotline/> najažurnije informacije o kontaktu za vašu državu ili region.

-  Sve slike i ilustracije u ovom uputstvu, uključujući, ali ne ograničavajući se na boju telefona, veličinu i sadržaj ekrana, služe samo kao referenca. Stvarni proizvod može da se razlikuje. Ništa u ovom uputstvu ne predstavlja garanciju bilo koje vrste, izričitu ili podrazumevanu.

Bezbednosne informacije

Interferencija sa medicinskom opremom

- Poštujte pravila i uredbe koje propisuju bolnice i objekti zdravstvene zaštite. Uređaj nemojte koristiti tamo gde je to zabranjeno.

- Neki bežični uređaji mogu uticati na rad slušnih aparata ili pejsmejкера. Više informacija o tome potražite od svog dobavljača usluga.
- Proizvođači pejsmejкера preporučuju održavanje rastojanja od najmanje 15 cm između uređaja i pejsmejкера, kako bi se sprečile moguće interferencije sa pejsmejkerom. Ako koristite pejsmejker, držite uređaj na strani suprotnoj od one na kojoj se nalazi pejsmejker i nemojte ga nositi u prednjem džepu.

Zaštita sluha pri upotrebi slušalica



Da biste sprečili moguće oštećenje sluha, nemojte dugo da slušate zvuk velike jačine.

Radno okruženje

Idealne radne temperature su od 0 °C do 35 °C. Idealne temperature skladištenja su od -20 °C do 45 °C. Pri ekstremnim vrućinama ili hladnoći može doći do oštećenja uređaja ili pribora.

Informacije o odlaganju i reciklaži



Ovaj simbol (sa punom linijom ili bez nje) na uređaju, baterijama (ako se isporučuju sa uređajem) i/ili pakovanju, označava da uređaj, njegov električni pribor (na primer, slušalice, adapter ili kabl) i baterije ne treba odlagati zajedno sa otpadom iz domaćinstva. Ove predmete ne treba odlagati kao nesortiran komunalni otpad, već ih treba predavati ovlašćenim sabirnim

centrima radi reciklaže ili pravilnog odlaganja.

Detaljnije informacije o recikliranju uređaja i baterija potražite u lokalnoj gradskoj kancelariji, u službi za odlaganje otpada iz domaćinstva ili u maloprodajnom objektu.

Odlaganje uređaja i baterija (ako se isporučuju sa uređajem) vrši se u skladu sa prerađenom WEEE direktivom (Direktiva 2012/19/EU) i direktivom o baterijama (Direktiva 2006/66/EC). Svrha ovog odvajanja WEEE i baterija od ostalog otpada ogleda se u smanjenju potencijalnog zagađenja životne sredine i štetnog uticaja na zdravlje ljudi od strane opasnih materija koje u njima eventualno postoje.

Smanjenje količine opasnih materija

Ovaj uređaj je usklađen sa uredbom REACH [Uredba (EZ) br. 1907/2006] i prerađena RoHS direktiva (Direktiva 2011/65/EU). Baterije (ako se isporučuju sa uređajem) usklađene su sa direktivom o baterijama (Direktiva 2006/66/EC). Najsvežije informacije o usklađenosti sa uredbama REACH i RoHS potražite na veb sajtu <http://consumer.huawei.com/certification>.

Usklađenost sa propisima EU

Rad prilikom nošenja na telu

Uređaj je usklađen sa RF specifikacijama ukoliko se koristi u blizini uha ili na udaljenosti od 1,5 cm od tela. Vodite računa da pribor, kao što su torbice ili futrole za uređaj, u sebi ne sadrži metalne delove. Držite uređaj dalje od tela, tako da ispoštujete zahtev u vezi sa udaljenošću.

Informacije o sertifikaciji (SAR)

Ovaj uređaj zadovoljava smernice u vezi sa izloženošću radio talasima. Uređaj predstavlja radio predajnik i prijemnik male snage. Shodno preporukama u međunarodnim smernicama, uređaj je dizajniran tako da ne

premašuje ograničenja u vezi sa izlaganjem radio talasima. Ove smernice definisala je nezavisna naučna organizacija pod nazivom Međunarodna komisija za zaštitu od nejonizujućeg zračenja (ICNIRP), a one obuhvataju bezbednosne mere namenjene zaštiti svih korisnika, bez obzira na njihov uzrast i zdravstveno stanje.

Specifična stopa apsorpcije (SAR) je merna jedinica za količinu radiofrekventne energije koju telo apsorbuje prilikom korišćenja nekog uređaja. Vrednost SAR određuje se pri najvišem sertifikovanom nivou snage u laboratorijskim uslovima, dok stvarni SAR nivo prilikom korišćenja može biti znatno niži od te vrednosti. Razlog za to je činjenica da je uređaj dizajniran tako da koristi minimalnu snagu koja je potrebna za pristupanje mreži.

Granična vrednost SAR koja je usvojena u Evropi iznosi prosečno 2,0 W/kg po 10 grama tkiva, a najviša vrednost SAR za ovaj uređaj u skladu je sa tom graničnom vrednošću.

Prema raspoloživim izveštajima, najviša SAR vrednost za uređaje ovog tipa iznosi 1,44 W/kg kada se testiraju kraj uha, odnosno 0,56 W/kg kada se pravilno nose na telu.

Izjava

Huawei Technologies Co., Ltd. ovim izjavljuje da je ovaj uređaj usklađen sa svim bitnim zahtevima i drugim relevantnim odredbama Direktive 1999/5/EC i Direktive 2011/65/EU.

Deklaraciju o usklađenosti potražite na veb sajtu

<http://consumer.huawei.com/certification>.

Na proizvodu se nalaze sledeće oznake:

CE 0197

Ovaj uređaj se može koristiti u svim državama članicama EU.

Poštujte nacionalne i lokalne propise koji važe u mestu u kojem koristite uređaj.

Upotreba ovog uređaja može biti ograničena, u zavisnosti od lokalne mreže.

Ograničenja u frekventnom opsegu od 2,4 GHz:

Norveška: Ovaj pododeljak ne važi za geografsko područje unutar radijusa od 20 km od centra Novog Olesunda.

Pravno obaveštenje

Autorsko pravo © Huawei Technologies Co., Ltd.

2015. Sva prava zadržana.

OVAJ DOKUMENT SLUŽI SAMO U INFORMATIVNE SVRHE I NE PREDSTAVLJA BILO KOJU VRSTU GARANCIJE.

Politika privatnosti

Da biste bolje razumeli kako štitimo vaše lične podatke, pročitajte politiku privatnosti na adresi <http://consumer.huawei.com/privacy-policy>.

Знакомство с телефоном

Перед началом работы ознакомьтесь с основными функциями Вашего нового устройства.

Нажмите и удерживайте кнопку питания, чтобы включить или выключить телефон.

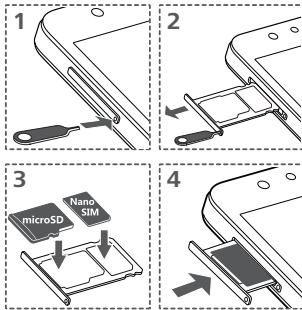
- i** Чтобы принудительно перезагрузить телефон, нажмите и удерживайте кнопку питания, пока устройство не завибрирует.



Начало работы

Подготовьте телефон к работе, следуя инструкциям на нижеприведенных рисунках. Не вставляйте и не извлекайте SIM-карту, когда телефон включен.

- ⊘ Будьте осторожны при использовании инструмента для извлечения SIM-карты, не пораньте пальцы и не повредите телефон. Храните инструмент для извлечения SIM-карты в недоступном для детей месте.
- ⚠ Вставьте SIM-карту в соответствующий слот, иначе телефон не сможет ее распознать.




Дополнительная информация

Прочтите краткое руководство пользователя, входящее в комплект поставки устройства.

В приложении **HiCare** можно найти руководство пользователя и сервисную информацию или получить помощь в интернет-форуме. Нажмите **Настройки > О телефоне > Правовая информация**, чтобы посмотреть правовую информацию.

На веб-сайте <http://consumer.huawei.com/en/support/hotline/> можно найти актуальную контактную информацию в Вашей стране или регионе.

-  Все изображения и рисунки в данном руководстве, включая (без ограничения) цвет телефона, размер и изображения на экране, приведены для справки. Приобретенный продукт может отличаться от изображенного в данном руководстве. Ничто в настоящем руководстве не подразумевает гарантии, явной или неявной.

Меры предосторожности

Медицинское оборудование

- Соблюдайте правила, принятые в больницах и медицинских учреждениях. Не используйте устройство, если его использование запрещено.
- Некоторые беспроводные устройства могут оказывать негативное влияние на работу кардиостимуляторов и слуховых аппаратов. За более подробной информацией обращайтесь к вашему оператору.
- Согласно рекомендациям производителей кардиостимуляторов, во избежание помех минимальное расстояние между беспроводным устройством и кардиостимулятором должно составлять 15 см. При использовании кардиостимулятора держите устройство с противоположной от кардиостимулятора стороны и не храните устройство в нагрудном кармане.

Безопасность органов слуха при использовании гарнитуры



Во избежание повреждения органов слуха не слушайте музыку на высокой громкости в течение длительного времени.

Условия эксплуатации

Температура эксплуатации устройства - 0-35 °С. Температура хранения устройства - -20-45 °С. Не используйте устройство и его аксессуары в условиях экстремально высоких или низких температур.

Инструкции по утилизации



Этот знак на устройстве, его аккумуляторных батареях и (или) упаковочном материале обозначает, что данное устройство, его аксессуары (например, гарнитура, адаптер питания или кабель) и аккумуляторные батареи не должны уничтожаться вместе с обычными бытовыми

отходами. Устройство и его аксессуары не должны уничтожаться вместе с неотсортированными бытовыми отходами, а должны быть переданы в сертифицированный пункт сбора для вторичной переработки или правильной утилизации.

Для получения более подробной информации о правилах утилизации устройства или аккумуляторной батареи обращайтесь в местную городскую администрацию, службу уничтожения бытовых отходов или магазин розничной торговли, в котором было приобретено устройство.

Утилизация данного устройства и его аккумуляторных батарей осуществляется в соответствии с Директивой Европейского Союза по утилизации электрического и электронного оборудования (Директива 2012/19/EU), а также Директивой по использованию и утилизации аккумуляторных батарей (Директива 2006/66/EC). Целью утилизации электронного и электрического оборудования и аккумуляторных батарей отдельно от других бытовых отходов является минимизация количества вредных веществ, которые могут оказать негативное влияние на окружающую среду и здоровье человека.

Сокращение выбросов вредных веществ

Данное устройство отвечает Регламенту ЕС по регистрации, оценке, получению разрешения и ограничению применения химических веществ (REACH) (Регламент ЕС № 1907/2006) и Директиве ЕС об ограничении содержания вредных веществ (RoHS) (Директива 2011/65/ЕС). Аккумуляторные батареи (если имеются) отвечают требованиям Директивы об использовании и утилизации аккумуляторных батарей (Директива 2006/66/ЕС). Для получения более подробной информации о соответствии устройства требованиям регламента REACH и директивы RoHS посетите веб-сайт <http://consumer.huawei.com/certification>.

Декларация соответствия ЕС

Ношение на теле

Данное устройство отвечает требованиям по радиочастотной безопасности, если используется около уха или на расстоянии 1,5 см от тела. Аксессуары устройства, например чехол, не должны

содержать металлических деталей. Держите устройство на указанном расстоянии от тела.

Информация о сертификации (SAR)

Данное устройство удовлетворяет предельно допустимым уровням излучения радиочастотной энергии.

Данное устройство является приемопередатчиком радиосигналов малой мощности. Данное устройство сконструировано в соответствии с международными директивами по предельному уровню облучения в радиочастотном диапазоне. Данные директивы были разработаны независимой научно-исследовательской организацией "Международная комиссия по защите от неионизирующего излучения" (ICNIRP) и содержат допустимые границы безопасного облучения человека независимо от возраста и состояния здоровья.

Для определения уровня радиочастотного излучения, возникающего при работе беспроводных устройств, используется единица измерения, называемая удельным коэффициентом поглощения

(SAR). Значение SAR определяется в лабораторных условиях в режиме максимальной сертифицированной мощности передатчика. Фактическое значение уровня SAR для работающего устройства может оказаться значительно ниже. Это обусловлено тем, что конструкция устройства позволяет использовать минимальную мощность, достаточную для установления соединения с сетью. Предельное значение SAR, принятое в Европе, составляет 2,0 Вт/кг с усреднением по 10 граммам ткани. Максимальное значение SAR для данного устройства соответствует указанному лимиту. Максимальное значение SAR для устройств данного типа при использовании устройства около уха составляет 1,44 Вт/кг, при правильном ношении на теле - 0,56 Вт/кг.

Декларация

Настоящим компания Huawei Technologies Co., Ltd. заявляет, что устройство соответствует требованиям Директивы Совета Европы 1999/5/ЕС и Директивы Европейского Союза 2011/65/EU.

Копию декларации соответствия см. на веб-сайте

<http://consumer.huawei.com/certification>.

Устройство маркировано:

CE 0197

Данное устройство может использоваться во всех странах ЕС. При использовании устройства соблюдайте национальные и региональные законы.

Использование данного устройства может быть ограничено (зависит от местной сети).

Ограничения в диапазоне 2,4 ГГц:

Норвегия: Данный подраздел не применяется к географической зоне радиусом 20 км от центра Нью-Олесунн.

Соблюдение нормативов Федеральной комиссии по связи (FCC)

Ношение на теле

Данное устройство отвечает требованиям по радиочастотной безопасности, если используется около уха или на расстоянии 1,5 см от тела. Аксессуары устройства, например чехол, не должны содержать металлических деталей. Держите устройство на указанном расстоянии от тела.

Информация о сертификации (SAR)

Данное устройство отвечает требованиям к радиочастотному излучению, установленным Федеральной комиссией по связи США (FCC).

Предельное значение SAR, принятое в США, составляет 1,6 Вт/кг с усреднением по одному грамму ткани. Максимальное значение SAR для устройств данного типа, заявленное Федеральной комиссии по связи, соответствует указанному лимиту.

Максимальное значение SAR для устройств данного типа, заявленное Федеральной комиссии по связи, при использовании устройства около уха составляет 1,18 Вт/кг, при правильном ношении на теле - 0,87 Вт/кг, при использовании функции беспроводной точки доступа Wi-Fi - 1,32 Вт/кг.

Заявление о соблюдении нормативов FCC

Данное оборудование было протестировано и признано соответствующим нормам Класса В для цифровых устройств, согласно Части 15 Регламента FCC. Эти нормы были разработаны для обеспечения эффективной защиты от вредного электромагнитного излучения в домашних условиях. Данное устройство генерирует, использует и может излучать радиочастотную энергию. Поэтому в случае несоблюдения инструкции по установке и эксплуатации, данное устройство может вызывать помехи радиосвязи. Как бы то ни было, нет никакой гарантии, в каждом конкретном случае, что помехи не будут возникать. Если это устройство вызывает недопустимые помехи

приема радио- или телевизионных сигналов (что может быть установлено путем выключения и включения устройства), пользователь может попытаться избавиться от помех путем выполнения следующих действий:

- Изменение направления или перемещение принимающей антенны.
- Увеличение расстояния между устройством и принимающим оборудованием.
- Подключение устройства и принимающего оборудования к разным розеткам электропитания.
- Вызов специалиста по радио-/телевизионному оборудованию.

Данное устройство соответствует части 15 Регламента FCC. Работа устройства связана со следующими двумя условиями: (1) данное устройство не может являться источником недопустимых помех и (2) данное устройство должно поглощать все принимаемые помехи, включая те, которые могут оказать нежелательное воздействие.

Внимание: Любые изменения или модификация данного устройства, не одобренные компанией Huawei Technologies Co., Ltd., могут

привести к аннулированию разрешения на эксплуатацию пользователем данного устройства.

Уведомления

Copyright © Huawei Technologies Co., Ltd. 2015.

Все права защищены.

ДАННЫЙ ДОКУМЕНТ ПРЕДОСТАВЛЯЕТСЯ ТОЛЬКО В ИНФОРМАЦИОННЫХ ЦЕЛЯХ БЕЗ КАКИХ-ЛИБО ЯВНЫХ ИЛИ НЕЯВНЫХ ГАРАНТИЙ.

Политика конфиденциальности

Меры, принимаемые компанией Huawei для защиты Вашей личной информации, описаны в Политике конфиденциальности <http://consumer.huawei.com/privacy-policy>.